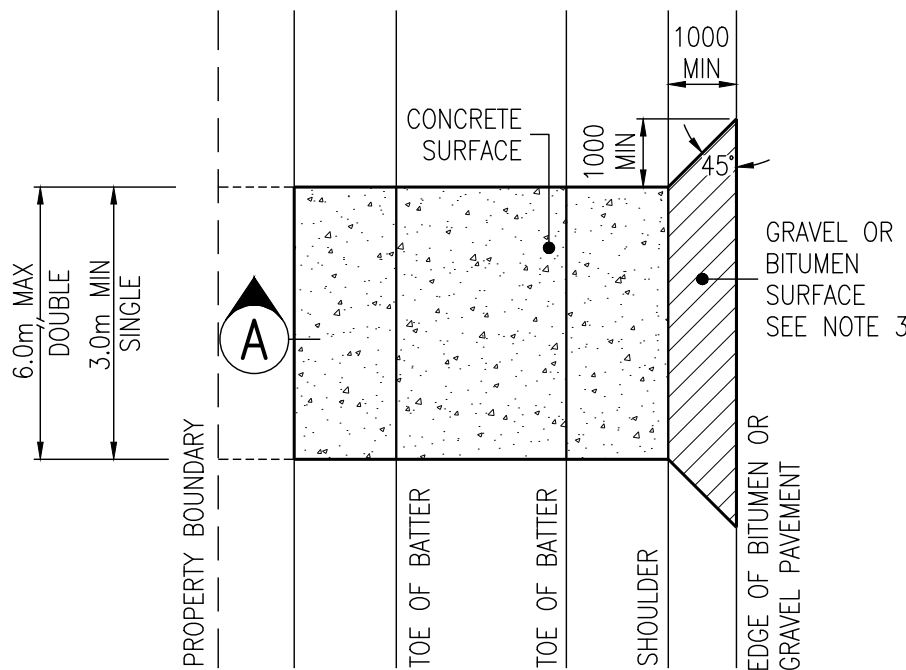
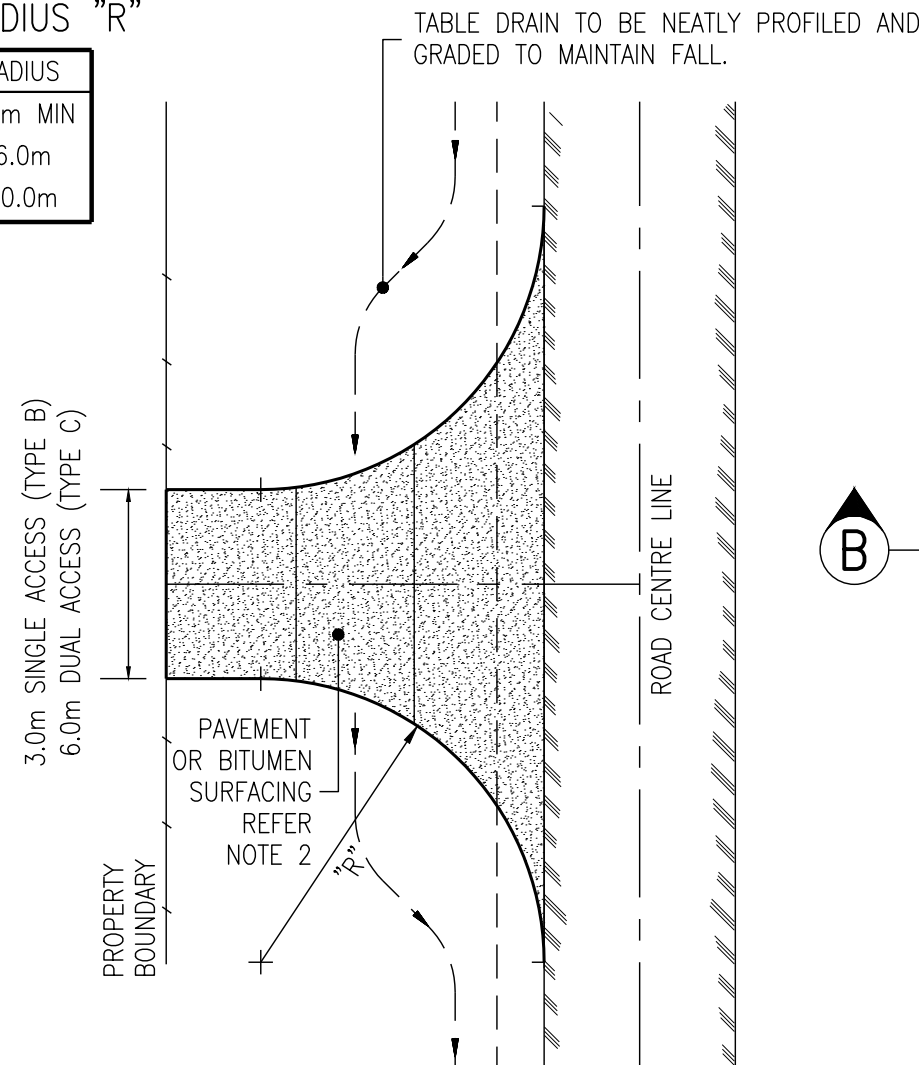


TURNOUT RADIUS "R"

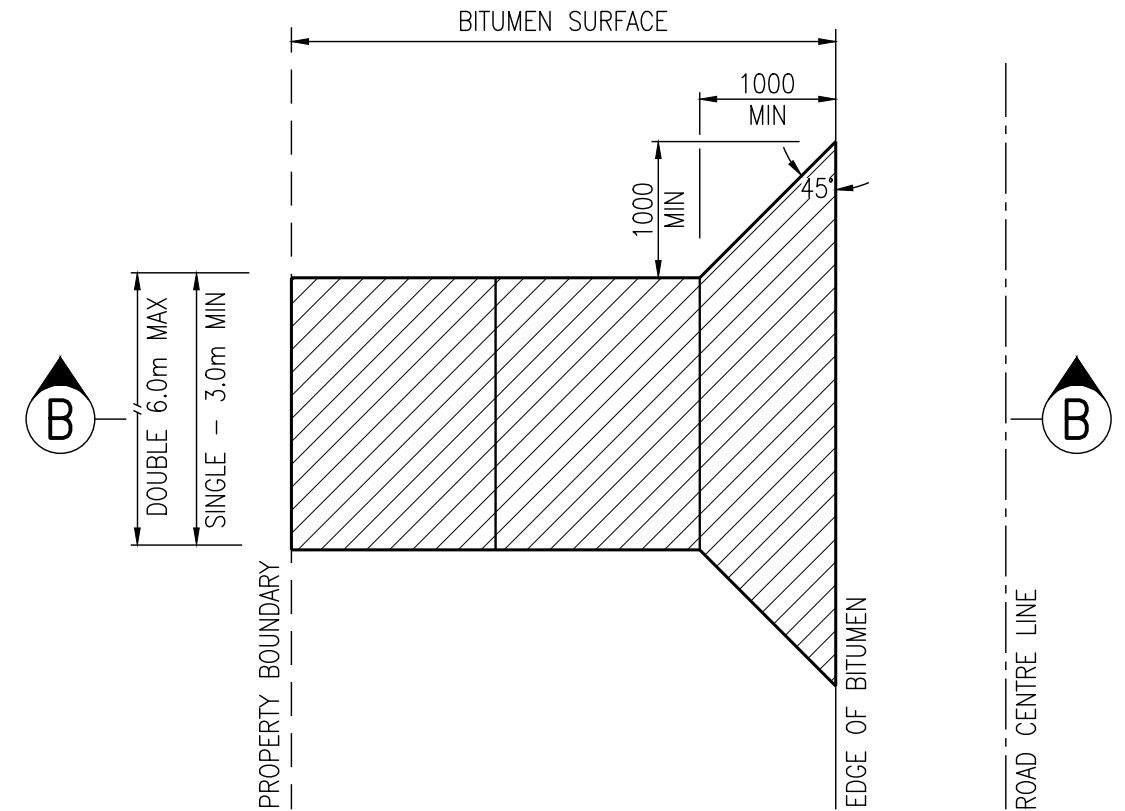
TYPE	RADIUS
A	1.0m MIN
B	6.0m
C	10.0m



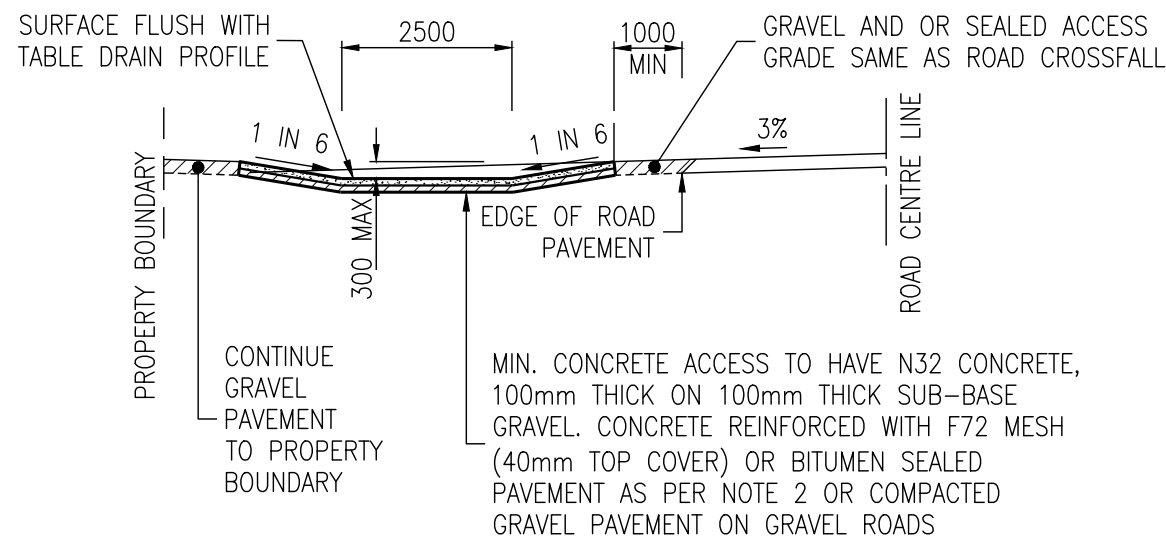
PLAN VIEW – CONCRETE INVERT CROSSING



PLAN VIEW – GRAVEL/BITUMEN INVERT CROSSING



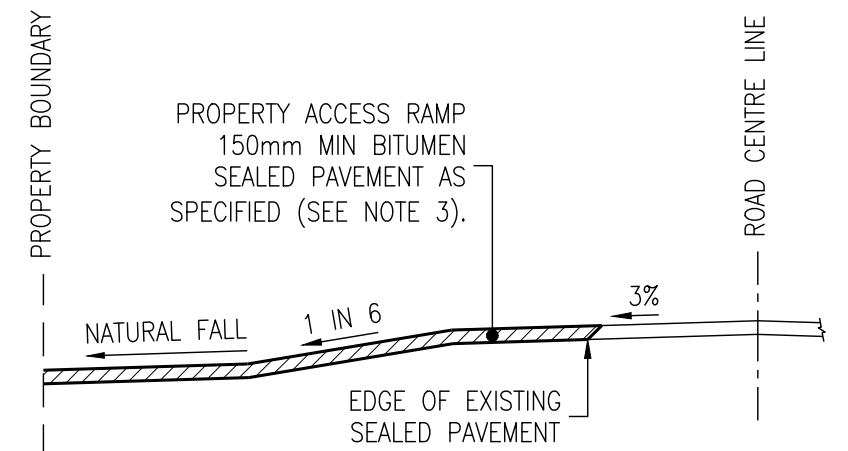
PLAN VIEW – ACCESS FALLING FROM ROAD EDGE



SECTION A-A
INVERT CROSSING

NOTES:

1. THE LAND OWNER IS RESPONSIBLE FOR THE CONSTRUCTION & MAINTENANCE OF PROPERTY ACCESSES.
2. THE CONTRACTOR SHOULD DETERMINE THE DEPTH OF PAVEMENT TO SUIT WORK AREA AFTER EXCAVATION. THE MINIMUM DEPTH OF PAVEMENT IS TO BE 150mm OF CBR 60. BITUMEN SEALING SHALL BE A TWO COAT HOT OR COLD SEAL WITH 16mm & 10mm AGGREGATE TO COUNCIL STANDARDS.
3. BITUMEN SEAL REQUIRED TO ACCESSES OFF EXISTING BITUMEN ROADS.
4. FINISHED CONCRETE/BITUMEN/OR GRAVEL SURFACE TO BE FLUSH WITH TABLE DRAIN PROFILE.
5. BROOM FINISH TO CONCRETE SURFACE.
6. FOR TRAFFIC CONTROL AND SAFETY, THE MINIMUM REQUIREMENTS FROM THE MANUAL OF UNIFORM TRAFFIC CONTROL DEVICES (MUTCD) MUST BE IN PLACE BEFORE WORK COMMENCES.
7. MINIMUM LONGITUDINAL FALL ACROSS INVERTS IS 0.3%.
8. WHERE JOINING A SEALED ROAD THERE MUST BE A 1600mm BITUMEN JOINT WITH 150mm OVERLAP OF COLD SEAL WITH 5mm AGGREGATE.



SECTION B-B
ACCESS FALLING FROM ROAD EDGE

Scales

NOT TO SCALE

Revisions

Revisions	Verified	Date
B General Note changes	rmc	3-2-18
A Original Issue		

Quality Certification

Design:	Verified:
Drawing: Tifa	Checked:
Approved by Engineer	
Date: 13-2-18 RPEQ: PJ2454	



DRIVEWAYS
Rural and Urban Invert Accesses
No Kerb and Channel

Standard Drawing
No **R1013**

Sheet Size
A3
Rev
B