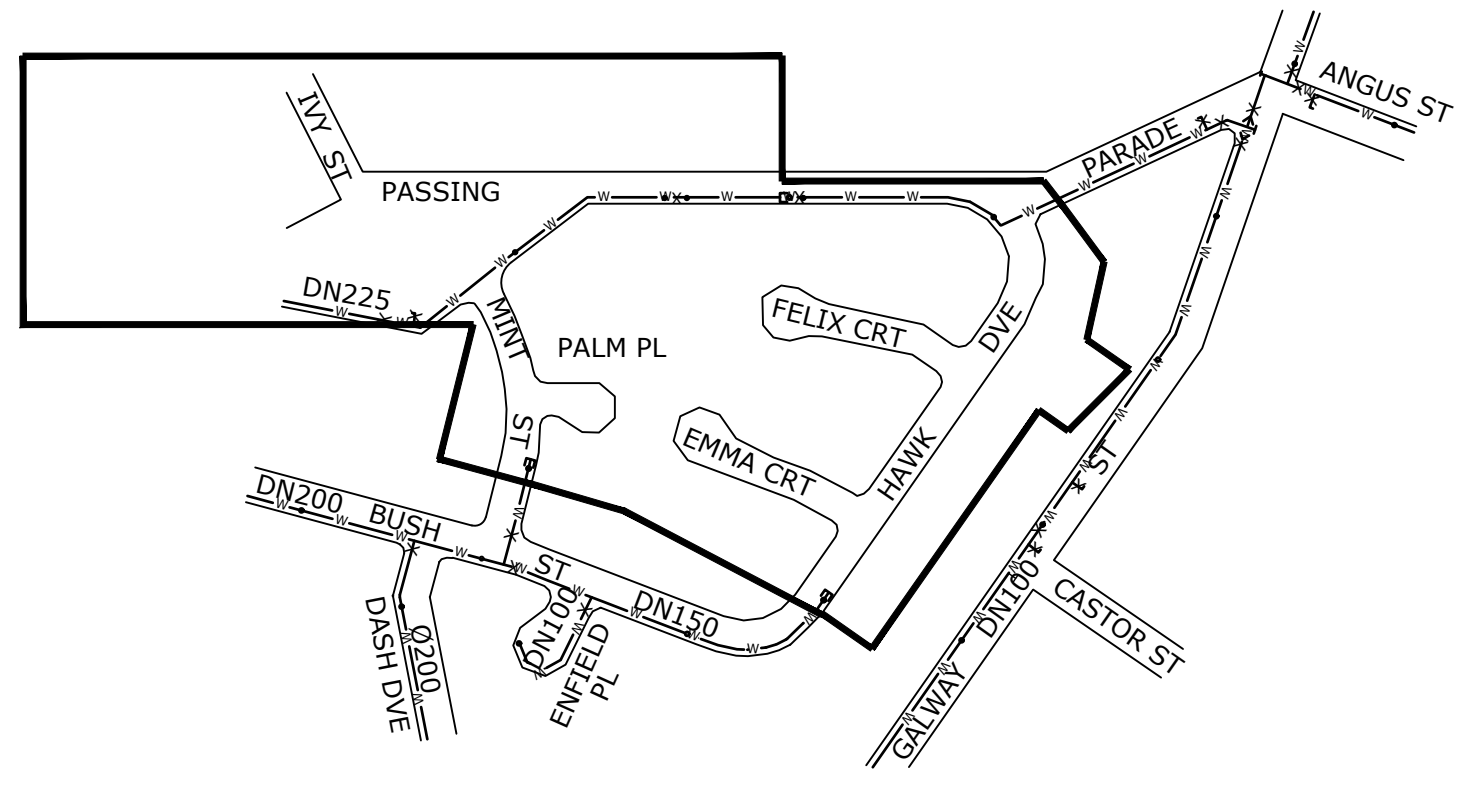


**REGIONAL PLAN**  
NTS



DEVELOPMENT STAGE/AREA

**MOST OF THE DEVIATIONS FROM SEQ DRAWINGS ARE HIGHLIGHTED. HOWEVER IT IS THE RESPONSIBILITY OF THE PERSON USING THESE DRAWINGS TO IDENTIFY ALL THE CHANGES.**



**LOCALITY PLAN**  
SCALE 1 : 2500  
UBD MAP REFERENCE NO

NOTE:  
FOR EACH DRAWING, A CROSS ON A SERVICE PROVIDER'S NAME IN THE TITLE BLOCK BELOW MEANS THAT THE DRAWING IS **NOT** APPLICABLE TO THAT SERVICE PROVIDER

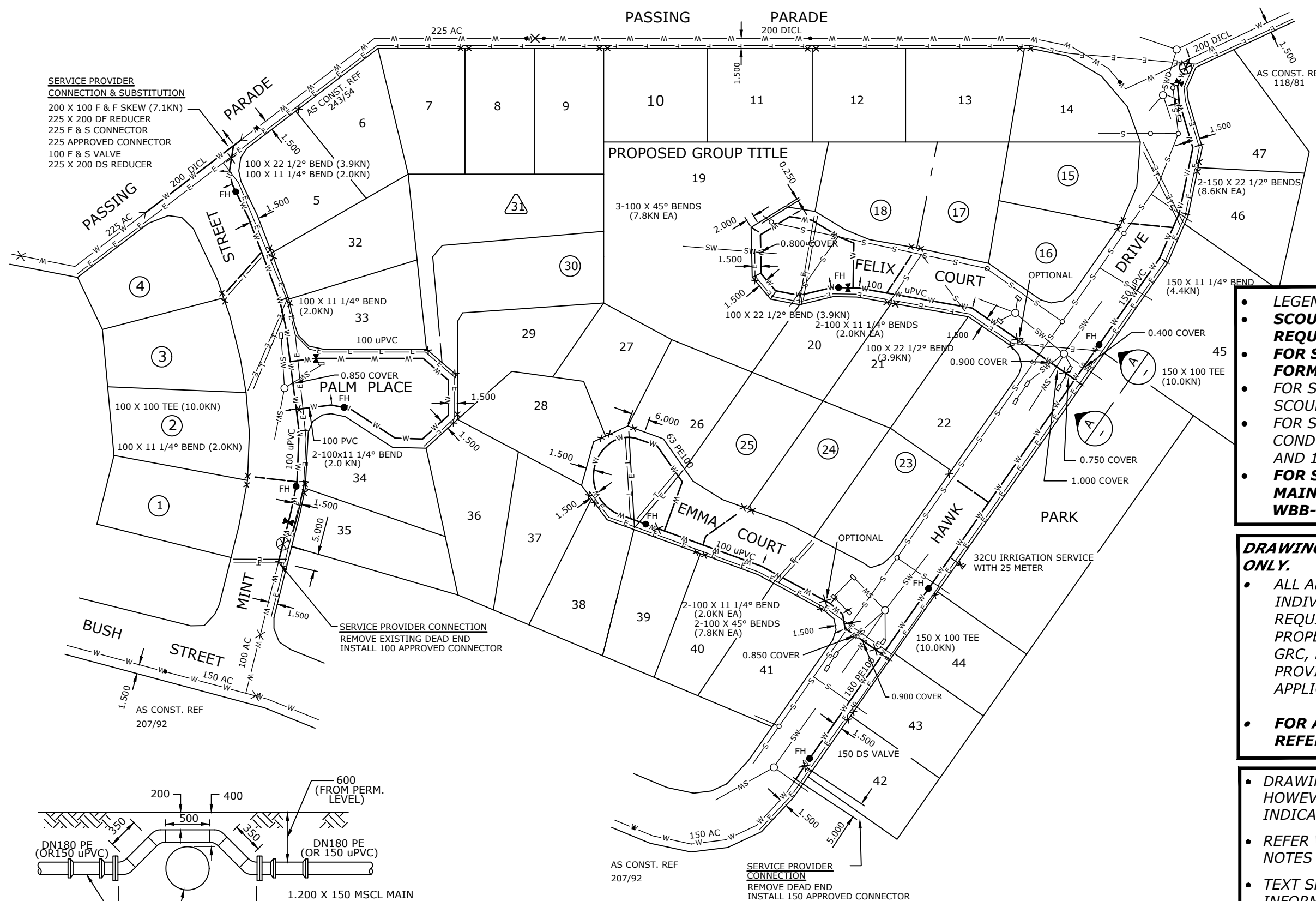
REV. No.	DATE	DESCRIPTION	AUTH.
A		BASED ON SEQ-WAT-1100-1 VERSION B DATED 01/09/2015	

**WBBROC WATER SERVICE PROVIDERS**

WORK PRACTICES MUST COMPLY WITH ALL APPLICABLE OCCUPATIONAL HEALTH & SAFETY LEGISLATION

WATER SUPPLY STANDARD DRAWING  
TYPICAL WATER RETICULATION  
LOCALITY PLAN  
SHEET 1

BRC	FCRC	GRC	NBRC	SBRC
DRAWING No.				VERSION
<b>WBB-WAT-1100-1</b>				<b>A</b>
NOT TO SCALE				ORG DATE:



**SP CONNECTION**  
 225 X 150 F & F SKEW (15.8KN)  
 2-225 F & S CONNECTORS  
 150 F & S VALVE  
 225 APPROVED CONNECTOR

150 X 22 1/2° BEND (8.6KN)  
 150 X 11 1/4° BEND (4.4KN)

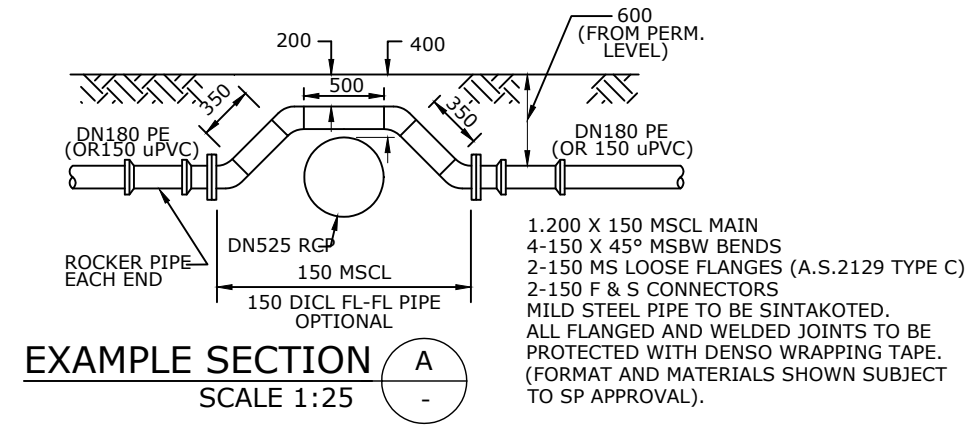
**SERVICE PROVIDER CONNECTION & SUBSTITUTION**  
 200 X 100 F & F SKEW (7.1KN)  
 225 X 200 DF REDUCER  
 225 F & S CONNECTOR  
 225 APPROVED CONNECTOR  
 100 F & S VALVE  
 225 X 200 DS REDUCER

- LEGEND REFER WBB-GEN-1100-1
- **SCOURS TO BE PROVIDED ONLY WHERE REQUIRED BY SP.**
- **FOR SPECIFIC CUL-DE-SAC END FORMATS REFER WBB-WAT-1104-1**
- **FOR SPECIFIC MAIN LINE FORMATS FOR SCOURING REFER WBB-WAT-1307-3**
- **FOR SPECIFIC WATER SERVICE AND CONDUIT FORMATS REFER WBB-WAT 1108 AND 1109 SET.**
- **FOR SPECIFIC WBBROC-SP BRANCH MAIN ARRANGEMENT REFER WBB-WAT-1303-1.**

- DRAWING INDICATIVE FOR RESIDENTIAL ONLY.**
- ALL ALIGNMENTS TO BE AS PER INDIVIDUAL COUNCIL/ROAD AUTHORITY REQUIREMENTS. SERVICE CONDUITS AND PROPERTY SERVICES FOR BRC, FCRC, GRC, NBRC AND SBRC AREAS TO BE PROVIDED AS SHOWN IN THE APPLICABLE STD. DRGS.
  - **FOR APPROVED PIPE MATERIAL REFER TO APAM LIST.**

- DRAWING PRODUCED NOT TO SCALE. HOWEVER, SCALES SHOWN ARE INDICATIVE OF THOSE REQUIRED.
- REFER WBB-WAT-1101-3 FOR NOTES AND CONDITIONS.
- TEXT SHOWN IN ITALICS IS FOR INFORMATION ONLY.

**DELETED**



**SITE PLAN**  
 SCALE 1:500

**MAIN TO BE DISUSED**

STREET	DIA	TYPE	LENGTH	FOLIO/YEAR	F.H.
PASSING PARADE	225	AC	30.000	193/1954	

REV. No.	DATE	DESCRIPTION	AUTH.
A		BASED ON SEQ-WAT-1101-2 VERSION A DATED 1/1/2013	

**WBBROC WATER SERVICE PROVIDERS**

WORK PRACTICES MUST COMPLY WITH ALL APPLICABLE OCCUPATIONAL HEALTH & SAFETY LEGISLATION

**WATER SUPPLY STANDARD DRAWING**  
**TYPICAL WATER RETICULATION**  
**DESIGN PLAN AND DETAILS**  
**SHEET 2**

BRC	FCRC	GRC	NBRC	SBRC
DRAWING No.				VERSION
<b>WBB-WAT-1101-2</b>				<b>A</b>
NOT TO SCALE				ORG DATE:

# TYPICAL NOTES TO BE INCLUDED WITH DRAWING SET

## ENVIRONMENTAL CONDITIONS

PLACE ON YOUR DRAWING NOTES AS RECEIVED IN YOUR APPROVAL LETTER FROM THE ENVIRONMENTAL REGULATOR OR MANAGER. IF NOTES RELEVANT TO THIS ESTATE ARE NOT SPECIFIED IN YOUR APPROVAL LETTER, TYPICAL NOTES AS FOLLOWS SHALL BE PLACED ON ALL DRAWINGS.

## VEGETATION PROTECTION

- A. TREES LOCATED ALONG THE FOOTPATH SHALL BE, TRANSPLANTED PRIOR TO CONSTRUCTION, OR REPLACED IF DESTROYED.
- B. WHEN WORKING WITHIN 4m OF TREES, RUBBER OR HARDWOOD GIRDLES SHALL BE CONSTRUCTED WITH 1.8 m BATTENS CLOSELY SPACED AND ARRANGED VERTICALLY FROM GROUND LEVEL. GIRDLES SHALL BE STRAPPED TO TREES PRIOR TO CONSTRUCTION AND REMAIN UNTIL COMPLETION.
- C. TREE ROOTS SHALL BE TUNNELLED UNDER, RATHER THAN SEVERED. IF ROOTS ARE SEVERED THE DAMAGED AREA SHALL BE TREATED WITH A SUITABLE FUNGICIDE. CONTACT RELEVANT COUNCIL ARBORIST FOR FURTHER ADVICE.
- D. ANY TREE LOPPING REQUIRED SHOULD BE UNDERTAKEN BY AN APPROVED ARBORIST.

## SOIL

- A. TOPSOIL AND SUBSOIL SHALL BE STOCKPILED SEPARATELY.
- B. CARE SHALL BE TAKEN TO PREVENT SEDIMENT FROM ENTERING THE STORMWATER SYSTEM. THIS MAY INVOLVE PLACING APPROPRIATE SEDIMENT CONTROLS AROUND STOCKPILES.
- C. ACID SULPHATE SOILS EXIST IN THE WORKS AREA. THE OUTPUTS FROM THE RISK ASSESSMENT BASED ON THE QUEENSLAND ACID SULPHATE SOIL TECHNICAL MANUAL REQUIRES THAT ACID SULPHATE SOILS BE MANAGED AS FOLLOWS:

## CREEK CROSSINGS

- A. SILTATION CONTROL MEASURES SHALL BE PLACED DOWNSTREAM OF ANY EXCAVATION WORK.
- B. APPROPRIATE SEDIMENT CONTROLS SHALL BE USED TO PREVENT SEDIMENT FROM ENTERING THE CREEK.
- C. NO SOIL SHALL BE STOCKPILED WITHIN 5 m OF THE CREEK.

## REHABILITATION

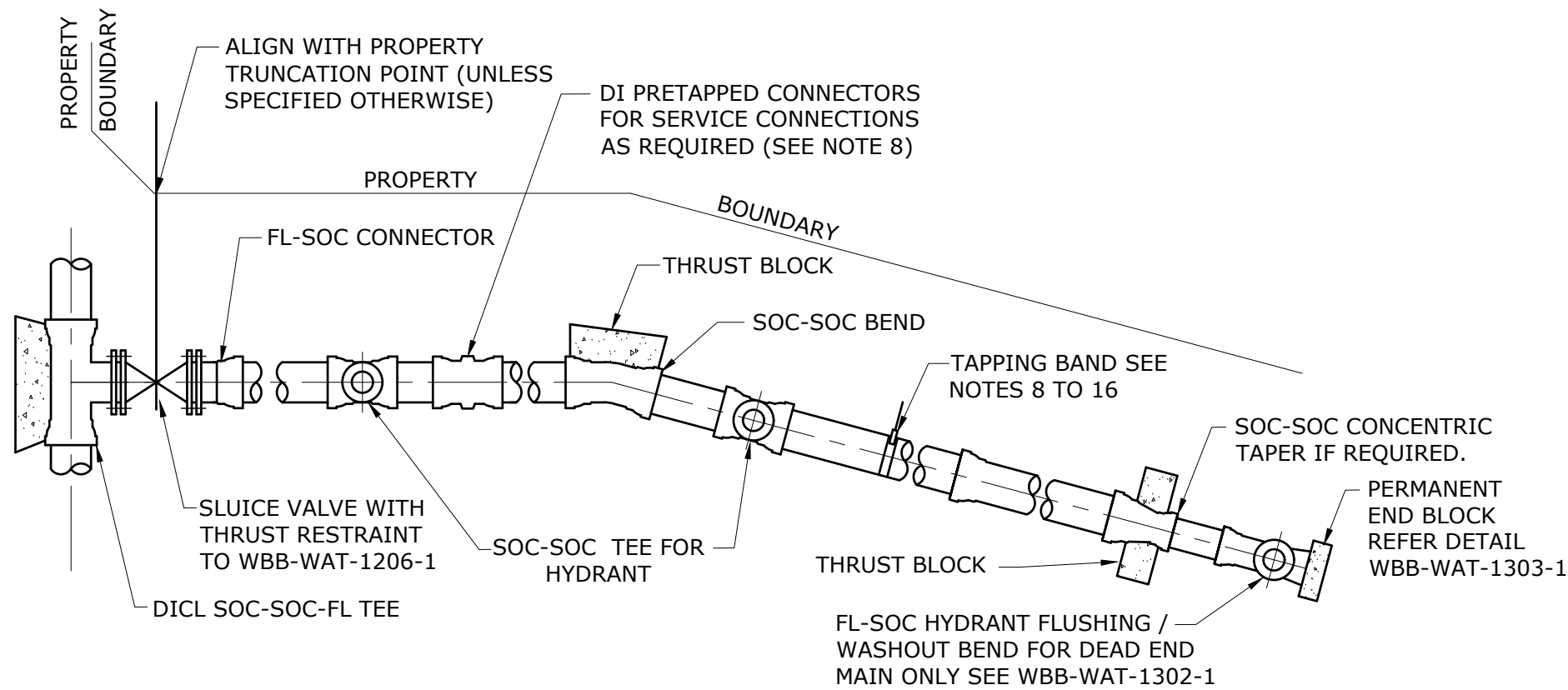
- A. PREDISTURBANCE SOIL PROFILES AND COMPACTION LEVELS SHALL BE REINSTATED.
- B. PREDISTURBANCE VEGETATION PATTERNS SHALL BE RESTORED.

## GENERAL NOTES

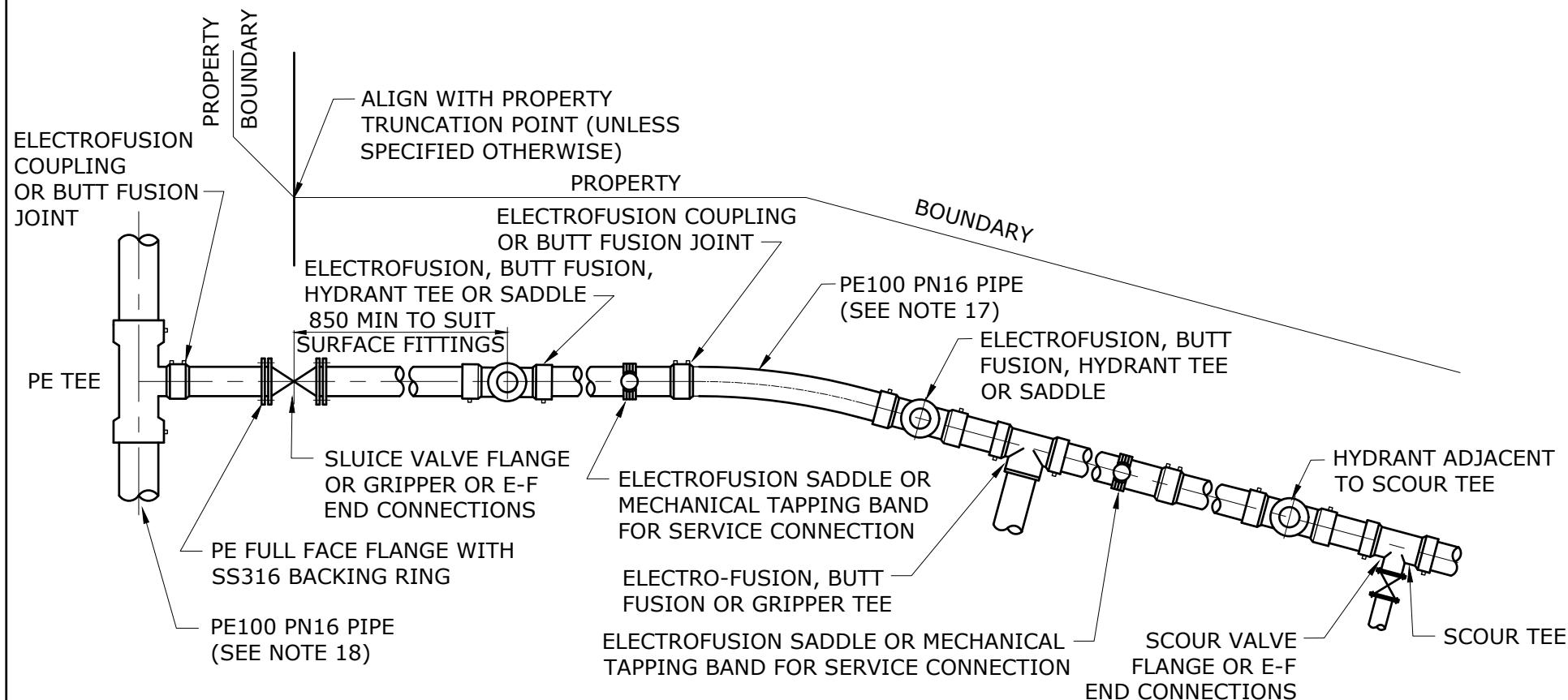
- 1. ALL WORK AND MATERIALS SHALL BE IN ACCORDANCE WITH CURRENT WBBROC-SP WATER SUPPLY CODE SPECIFICATIONS AND STANDARDS.
- 2. UNLESS SPECIFIED OTHERWISE ALL MATERIALS AND WORK SHALL COMPLY WITH THE RELEVANT AUSTRALIAN STANDARDS.
- 3. ADOPT LIP OF KERB OR SHOULDER OF ROAD AS PERMANENT LEVEL.
- 4. COVER ON MAINS FROM PERMANENT LEVEL TO BE AS SHOWN IN WBB-WAT-1200-2.
- 5. CONDUITS TO BE INSTALLED IN ACCORDANCE WITH THE STANDARD DRAWINGS.
- 6. **DELETED.**
- 7. ALL MATERIALS USED IN THE WORKS SHALL COMPLY WITH THE WBBROC-SP's ACCEPTED PRODUCTS AND MATERIALS LIST OR BE APPROPRIATELY SHOWN, LISTED AND DEFINED IN THE ENGINEERING SUBMISSION SO THAT THE ALTERNATIVE PRODUCT OR MATERIAL CAN BE ASSESSED AND IF APPROPRIATE, APPROVED BY WBBROC-SP.
- 8. ALL CONCRETE FOOTPATHS TO BE CLEAR OF WATER MAINS.
- 9. **DELETED.**
- 10. THE CONSTRUCTION OF THE WATER RETICULATION WORK SHOWN ON THIS DRAWING MUST BE SUPERVISED BY AN ENGINEER WHO HAS RPEQ REGISTRATION. WORKS NOT COMPLYING WITH THIS REQUIREMENT WILL NOT BE PERMITTED TO CONNECT TO THE RETICULATION SYSTEM.
- 11. **REFER TO DRAWING WBB-WAT-1109-2 FOR THE REQUIREMENTS OF THE SUPPLY AND INSTALLATION OF SERVICE CONNECTIONS AND WATER METERS.**

ALL ENVIRONMENT PROTECTION MEASURES SHALL BE IMPLEMENTED PRIOR TO ANY CONSTRUCTION WORK, INCLUDING CLEARING, COMMENCING.

REV. No.	DATE	DESCRIPTION	AUTH.		WATER SUPPLY STANDARD DRAWING	BRC	FCRC	GRC	NBRC	SBRC
				<b>WBBROC WATER SERVICE PROVIDERS</b>	TYPICAL WATER RETICULATION DESIGN PLAN NOTES SHEET 3	DRAWING No. <b>WBB-WAT-1101-3</b>				VERSION <b>A</b>
A		BASED ON SEQ-WAT-1101-3 VERSION A DATED 1/1/2013		<small>WORK PRACTICES MUST COMPLY WITH ALL APPLICABLE OCCUPATIONAL HEALTH &amp; SAFETY LEGISLATION</small>		NOT TO SCALE				ORG DATE:



**TYPICAL INSTALLATION OF PVC & DI PIPES & FITTINGS**



**TYPICAL INSTALLATION OF PE PIPES & FITTINGS**

(FOR CUT-IN DETAILS SEE WBB-WAT-1105-1)

**NOTES**

1. ALL DIMENSIONS ARE IN MILLIMETRES UNLESS SHOWN OTHERWISE.
2. INSTALL PIPEWORK PARALLEL TO PROPERTY BOUNDARIES.
3. **DELETED.**
4. WRAP FLANGES AND BOLTS, WITH A PETROLATUM TAPE SYSTEM IN ACCORDANCE WITH WBB-WAT-1313.
- 5A. DEFLECTION DETAILS I.E. PIPE LENGTH AND OFFSET SHALL BE DETAILED ON DESIGN DRAWING.

**5B. USE FL-FL FITTINGS FOR TEE, VALVE AND HYDRANT WHEN IN CLOSE PROXIMITY (SEE DRAWING WBB-WAT-1105-2)**

**5C. REFER TO WBB-WAT-1109-2 FOR THE REQUIREMENTS OF THE SUPPLY AND INSTALLATION OF SERVICE CONNECTIONS AND WATER METERS.**

**DI & PVC PIPE**

6. DUCTILE IRON FITTINGS MAY BE USED WITH DI & PVC PIPE. FITTINGS SHALL BE FBE COATED AND LINED. CEMENT LINED WITH A BITUMINOUS EXTERNAL COATING MAY BE USED WITH APPROVAL. DO NOT USE PVC FITTINGS.
7. PE SLEEVING, COLOURED FOR THE PRODUCT IS REQUIRED ON ALL DI PIPE AND FITTINGS APPLIED IN ACCORDANCE WITH AS 3681. TWO THICKNESS REQUIRED BETWEEN FITTINGS AND THRUST BLOCK. REINSTATE ANY DAMAGED SLEEVING AS PER MANUFACTURER'S SPECIFICATIONS.
8. USE PRE-TAPPED CONNECTORS ON DN 100 TO **DN 200** NEW MAIN INSTALLATIONS.
9. USE TAPPING BANDS FOR CONNECTIONS TO EXISTING MAINS.

**PVC PIPE**

10. USE PRE-TAPPED CONNECTORS, REFER NOTE 8.
11. PVC PIPE SHALL NOT BE IN CONTACT WITH THRUST BLOCK CONCRETE.
12. MAXIMUM SIZE OF DRILLED HOLES FOR SERVICE CONNECTIONS IN PVC PIPE TO BE 30% OF DN OR 50 (LOWER VALUE TO BE USED).
13. DI SPIGOTS SHALL NOT BE FITTED INTO PVC SOCKETS.
14. PVC PIPE SHALL NOT BE BENT OR CURVED.

**DI PIPE**

15. DIRECT TAPPING OF DICL PIPE IS PROHIBITED.
- 16A. ELECTRICALLY ISOLATE COPPER SERVICES FROM DI PIPE.
- 16B. WHERE TAPPING BANDS ARE INSTALLED ON DICL PIPE, THE SECTION OF THE MAIN AT THE PROPOSED TAPPING POINT SHALL BE FIRST CLEANED AND WRAPPED WITH MINIMUM OF TWO LAYERS OF SELF-ADHESIVE POLYVINYL CHLORIDE WRAPPING. POLYETHYLENE SLEEVING SHALL BE REPLACED AROUND PIPE AND TAPPING BAND.**

**PE PIPE**

17. PE PIPE MAY BE COLD BENT TO MAXIMUM RADIUS AS PER POP 202, STAKES OR OTHER SOURCES OF POINT LOADS SHALL NOT BE USED TO ASSIST IN BENDING THE PIPE.
18. MAKE ALLOWANCE DURING CONSTRUCTION FOR EXPANSION AND CONTRACTION OF PE PIPE DUE TO TEMPERATURE CHANGES.
19. ELECTROFUSION AND BUTT WELDING TO BE IN ACCORDANCE WITH WSA-01 (POLYETHYLENE CODE), BUTT WELDING IN TRENCHES IS NOT PERMITTED.
20. ALL MECHANICAL COUPLINGS TO BE SELF-RESTRAINING.
21. REFER WBB-WAT-1409-1 FOR TYPICAL PE ARRANGEMENTS.

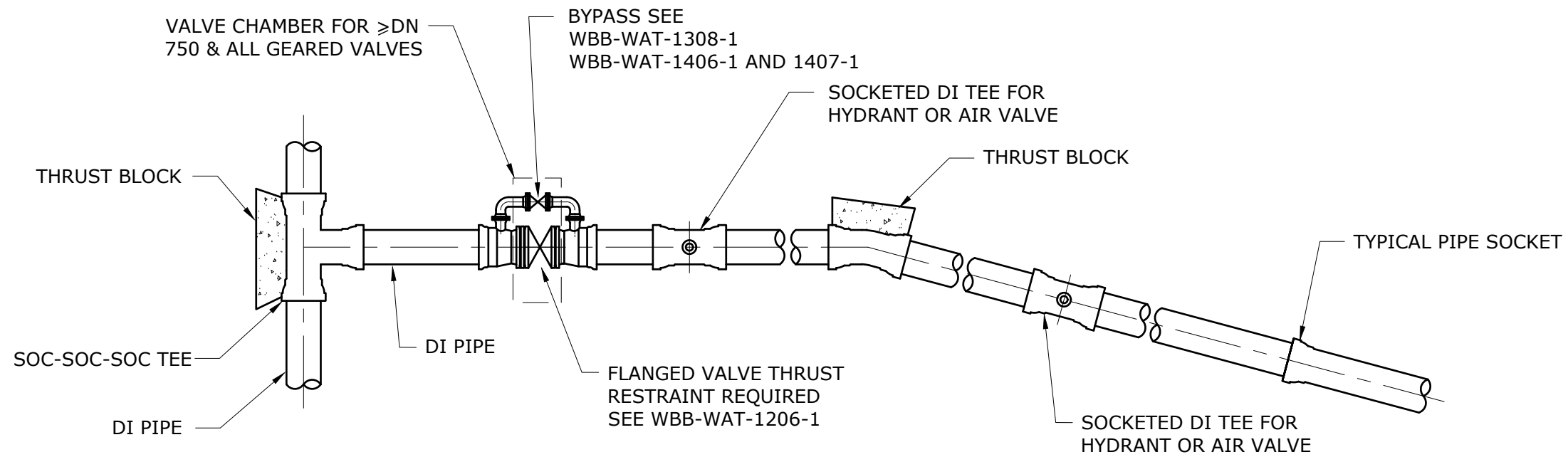
REV. No.	DATE	DESCRIPTION	AUTH.
A		BASED ON SEQ-WAT-1102-1 VERSION B DATED 16/09/2015	

**WBBROC WATER SERVICE PROVIDERS**

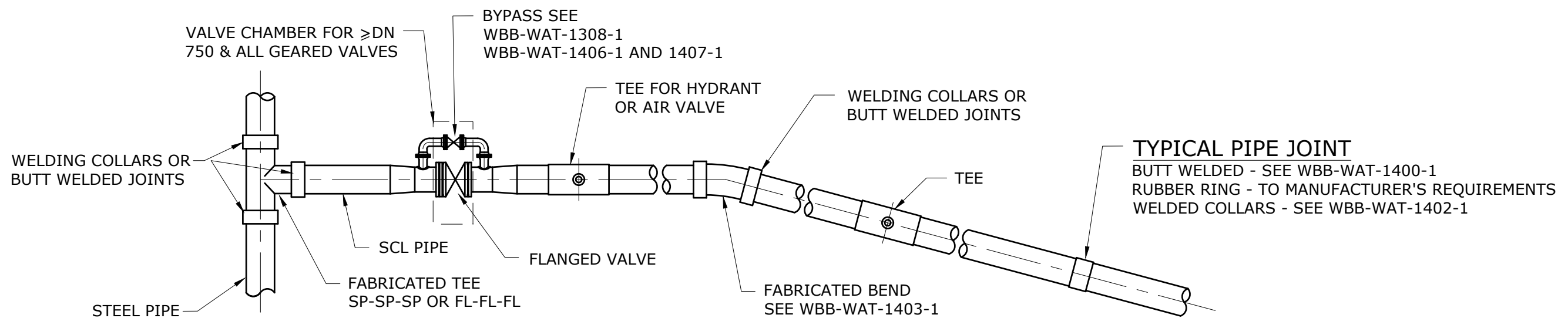
WORK PRACTICES MUST COMPLY WITH ALL APPLICABLE OCCUPATIONAL HEALTH & SAFETY LEGISLATION

WATER SUPPLY STANDARD DRAWING  
TYPICAL MAINS CONSTRUCTION  
RETICULATION MAIN ARRANGEMENTS

BRC	FCRC	GRC	NBRC	SBRC
DRAWING No.				VERSION
<b>WBB-WAT-1102-1</b>				<b>A</b>
NOT TO SCALE				ORG DATE:



**TYPICAL INSTALLATION OF DI MAINS**



**TYPICAL INSTALLATION OF STEEL MAINS**

(THRUST BLOCKS REQUIRED WHERE NON-RESTRAINING RUBBER RING JOINTS USED)

**NOTES**

1. ALL DIMENSIONS ARE IN MILLIMETRES UNLESS SHOWN OTHERWISE.
2. PROVIDE CORROSION PROTECTION FOR ALL MAINS AND FITTINGS IN ACCORDANCE WITH CODE.
3. SERVICE CONNECTIONS NOT PERMITTED ON **DN225** AND LARGER MAINS. (REFER WBBROC-SP CONNECTIONS POLICY).
4. CONTACT WBBROC-SP FOR PREFERRED TRUNK MAIN AND VALVE LAYOUT AND DESIGN.

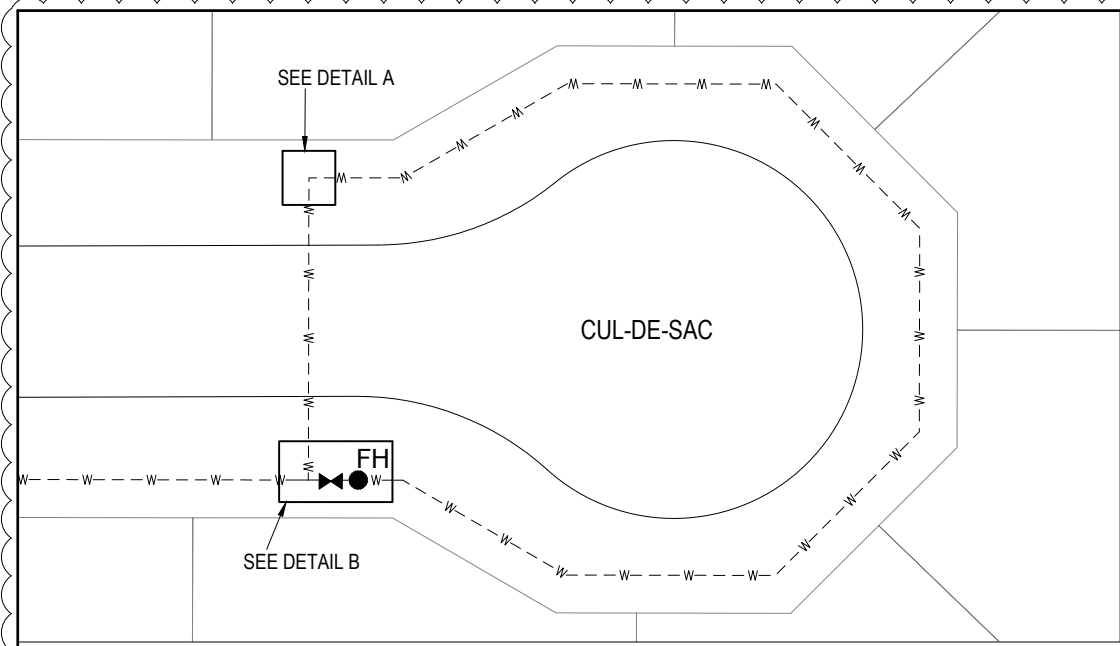
REV. No.	DATE	DESCRIPTION	AUTH.
A		BASED ON SEQ-WAT-1103-1 VERSION A DATED 1/1/2013	

**WBBROC WATER SERVICE PROVIDERS**

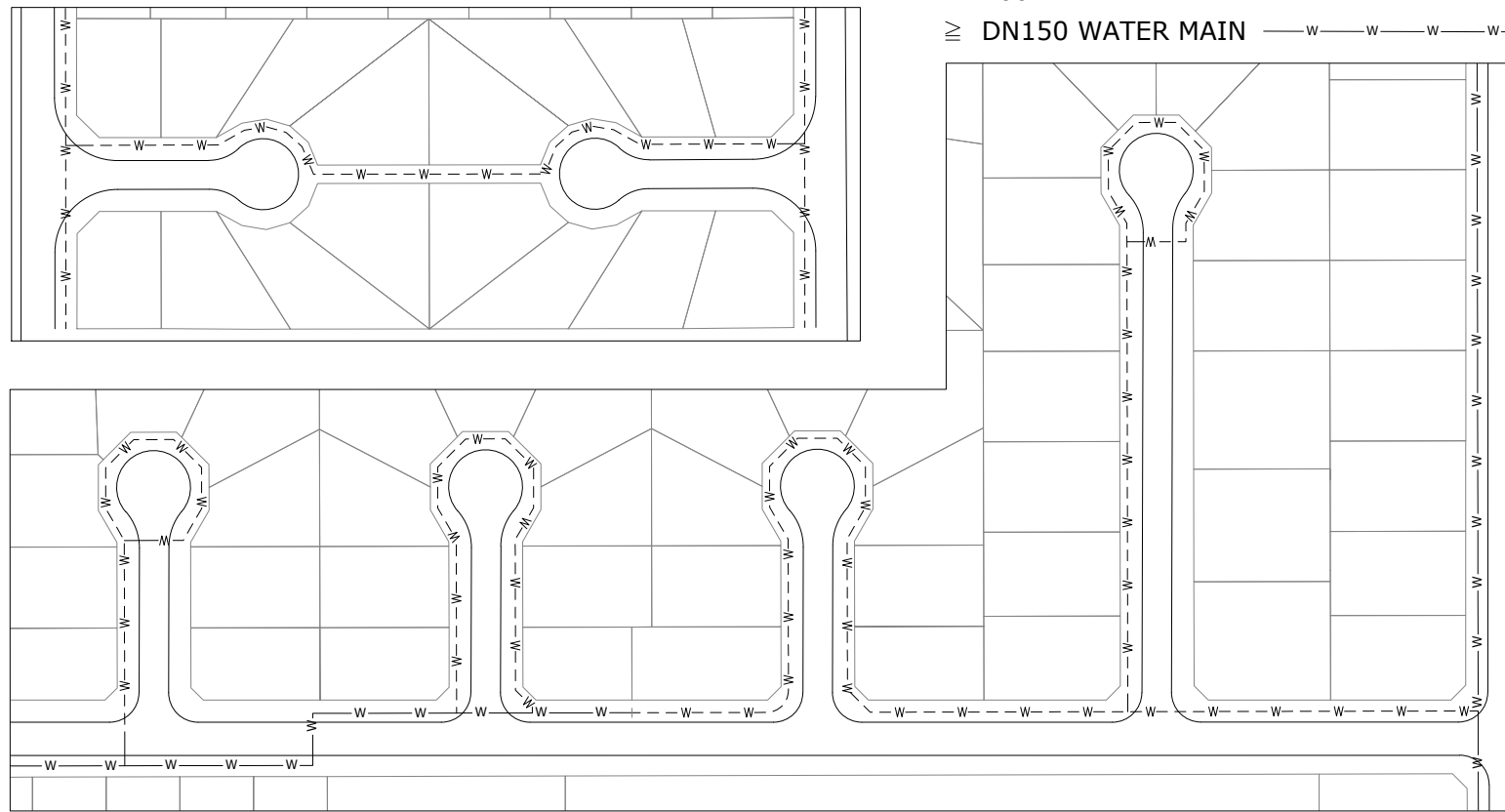
WORK PRACTICES MUST COMPLY WITH ALL APPLICABLE OCCUPATIONAL HEALTH & SAFETY LEGISLATION

WATER SUPPLY STANDARD DRAWING  
TYPICAL MAINS CONSTRUCTION  
DISTRIBUTION AND TRANSFER MAIN  
ARRANGEMENTS

BRC	FCRC	GRC	NBRC	SBRC
DRAWING No.				VERSION
<b>WBB-WAT-1103-1</b>				<b>A</b>
NOT TO SCALE				ORG DATE:

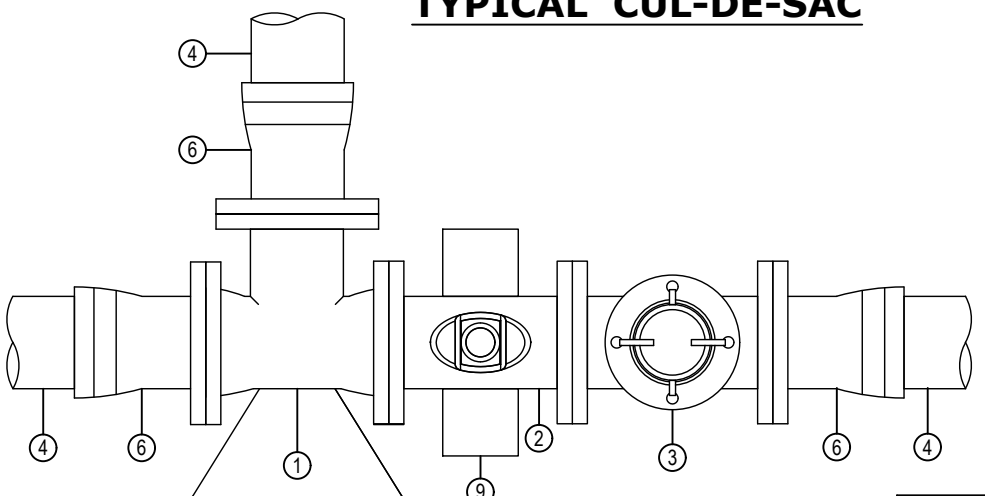


**TYPICAL CUL-DE-SAC**

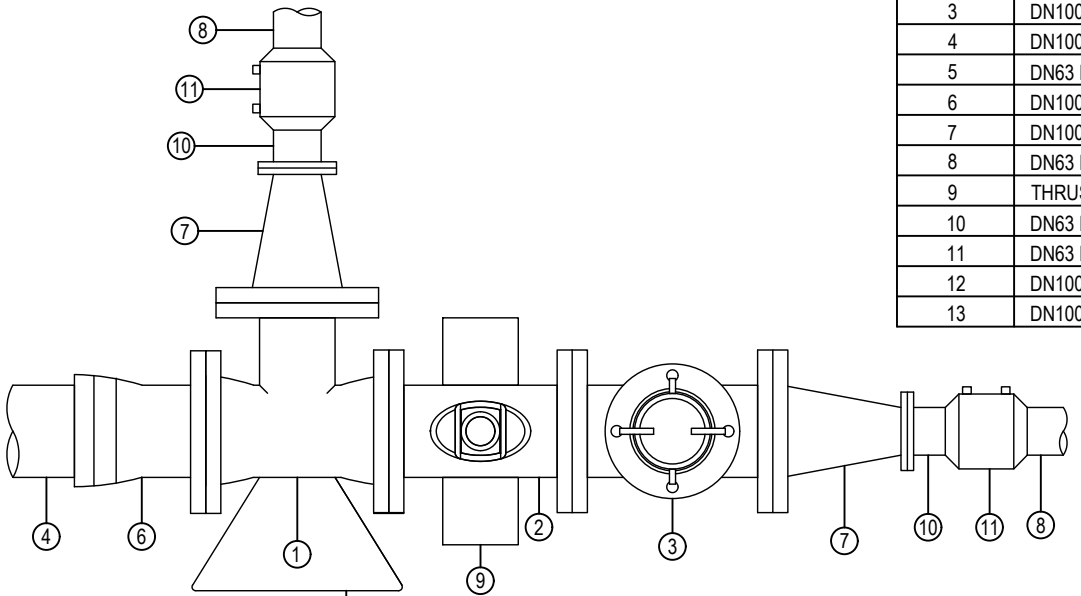


**LEGEND**  
 DN100 WATER MAIN ---W---W---W---W---  
 ≥ DN150 WATER MAIN —W—W—W—W—

**TYPICAL WATER MAIN LAYOUT**

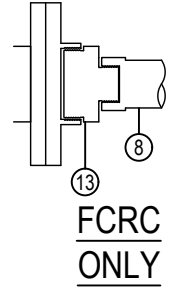


**DETAIL B FOR PVC OR DI**

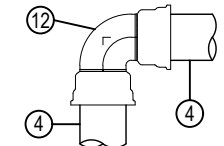


**DETAIL B FOR HDPE ONLY**

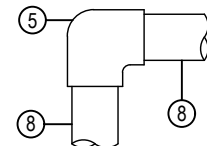
FITTING NO.	DESCRIPTION
1	DN100 FL-FL-FL DI TEE
2	DN100 FL DI RSV
3	DN100 x DN80 FL-FL-FL DI HYDRANT ASSEMBLY
4	DN100 PIPE SO-SP DI OR PVC
5	DN63 PE PLASSON ELBOW
6	DN100 DI SO-FL CONNECTOR
7	DN100 x DN50 DI FL-FL REDUCER
8	DN63 HDPE PIPE
9	THRUST BLOCK TO SUIT
10	DN63 PE STUB FLANGE WITH SS BACKING FLANGE
11	DN63 PE EF COUPLING
12	DN100 x 90° DI BEND
13	DN100 x DN63 PE FLANGE REDUCER



**FCRC ONLY**



**DETAIL A FOR PVC OR DI**



**DETAIL A FOR HDPE ONLY**

**NOTES**

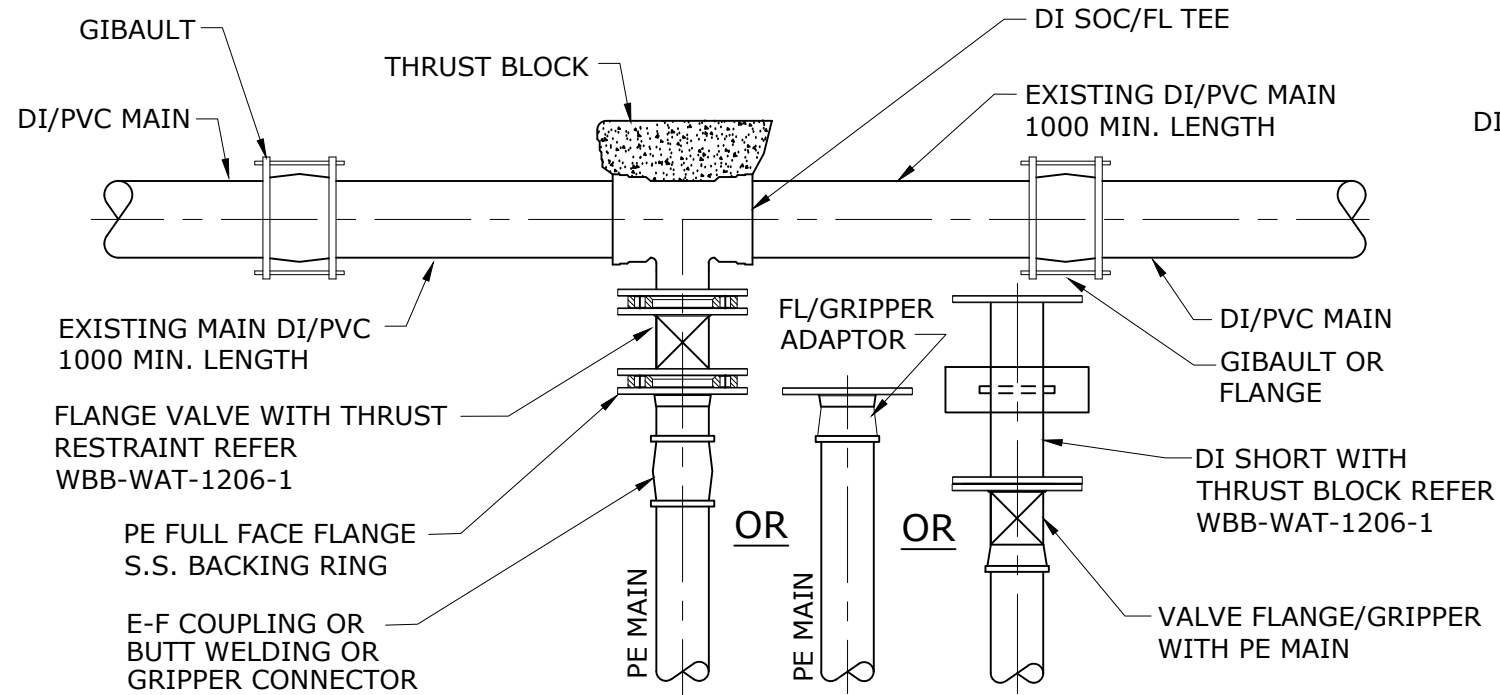
- ALL DIMENSIONS ARE IN MILLIMETRES UNLESS SHOWN OTHERWISE.
- PIPE MATERIAL TO BE IN ACCORDANCE WITH ACCEPTED PRODUCTS AND MATERIALS LIST.
- PE ELECTROFUSION (EF) FITTINGS TO BE CLASS PN16.
- WHERE POSSIBLE USE A SINGLE LENGTH OF PE PIPE.
- DO NOT CURVE PE PIPES TO A RADIUS OF LESS THAN **15 TIMES PIPE DN**.
- BACKING FLANGES, NUTS, BOLTS AND WASHERS TO BE MANUFACTURED FROM GRADE 316 STAINLESS STEEL.
- THRUST BLOCKS TO BE IN ACCORDANCE WITH WBB-WAT-1205-1.
- PVC PIPE MAY BE USED AS SHROUD PIPE, CUT AS REQUIRED TO CLEAR HYDRANT FLANGE.
- FOR HYDRANT COVERS AND SURROUNDS DETAILS SEE WBB-WAT-1302.
- DELETED.**
- FOR CONNECTION TO EXISTING MAINS SEE ALSO WBB-WAT-1105-1.
- TYPICAL HYDRANT PIPEWORK ASSEMBLIES ARE DETAILED IN WBB-WAT-1302-1.
- LOCATION OF SV AND FH MUST TAKE INTO CONSIDERATIONS LOT BOUNDARIES.**
- BRC USE DN100 IN CUL-DE-SAC HEAD AND ALL OTHER WBBROC-SPs USE DN63 HDPE IN CUL-DE-SAC HEAD.**
- REFER TO WBB-WAT-1303-1 FOR LOCATION OF VALVE AND HYDRANT AT LATERAL MAINS.**

REV. No.	DATE	DESCRIPTION	AUTH.
A		REPLACE SEQ-WAT-1104-1 VERSION A DATED 1/1/2013	

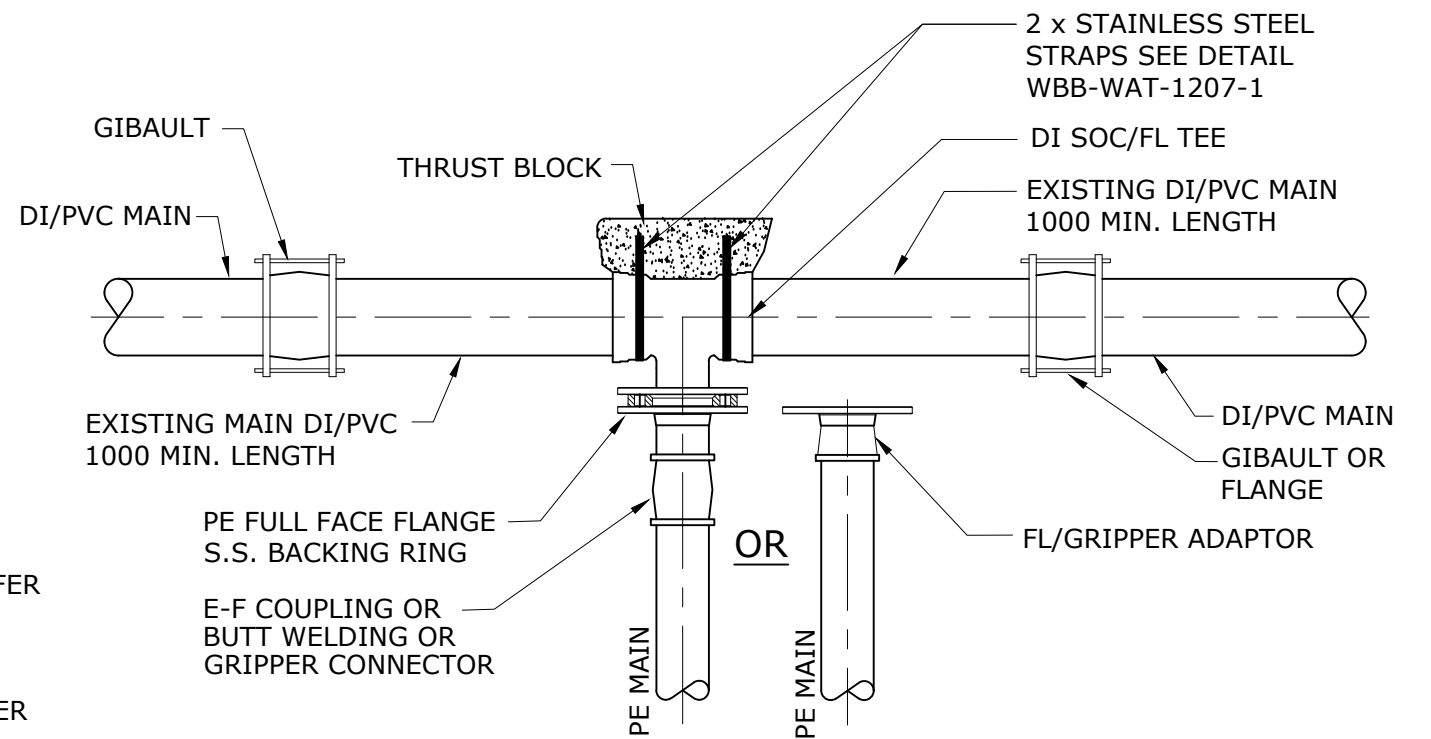
**WBBROC WATER SERVICE PROVIDERS**

WORK PRACTICES MUST COMPLY WITH ALL APPLICABLE OCCUPATIONAL HEALTH & SAFETY LEGISLATION

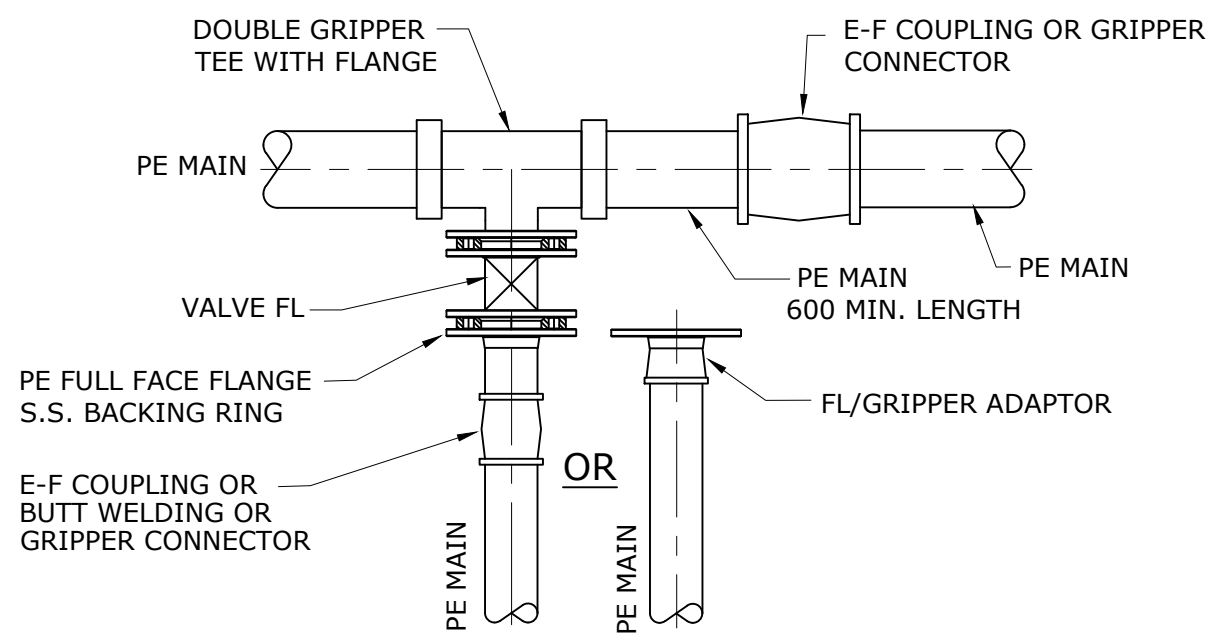
WATER SUPPLY STANDARD DRAWING		BRC	FCRC	GRC	NBRC	SBRC
TYPICAL CUL-DE-SAC ARRANGEMENT		DRAWING No.				VERSION
		<b>WBB-WAT-1104-1</b>				<b>A</b>
		NOT TO SCALE				ORG DATE:



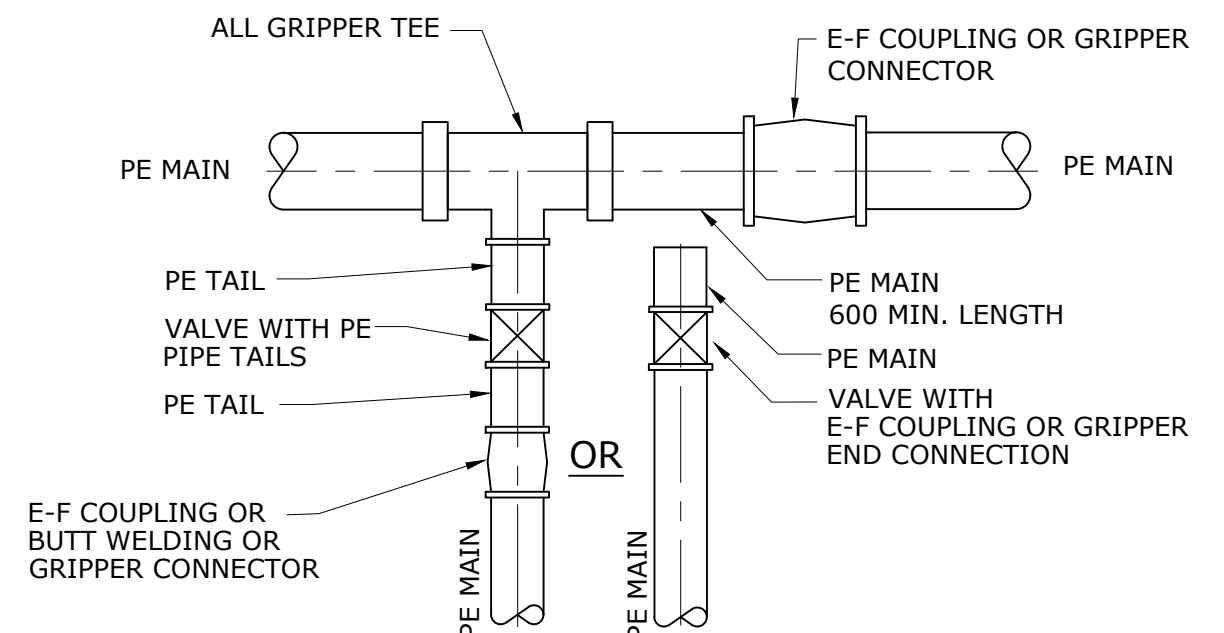
**CUT-IN WITH VALVE INTO DI / PVC MAIN**



**CUT-IN TO EXISTING PVC/DI MAIN**



**CUT-IN TO PE MAIN WITH FLANGE VALVE**



**CUT-IN TO PE MAIN WITH VALVE WITH E-F OR GRIPPER CONNECTION**

**NOTES**

1. REFER TO DRG. NO. WBB-WAT-1102-1 FOR NOTES.
2. HYDRANT CONNECTIONS AND DI TO PE FLANGE CONNECTIONS SHALL COMPROMISE PE FULL FACE FLANGE WITH 316 S.S BACKING RING.
3. APPROVED GRIPPER CONNECTIONS ARE **LISTED IN APAM**.

REV. No.	DATE	DESCRIPTION	AUTH.
A		BASED ON SEQ-WAT-1105-1 VERSION A DATED 1/1/2013	

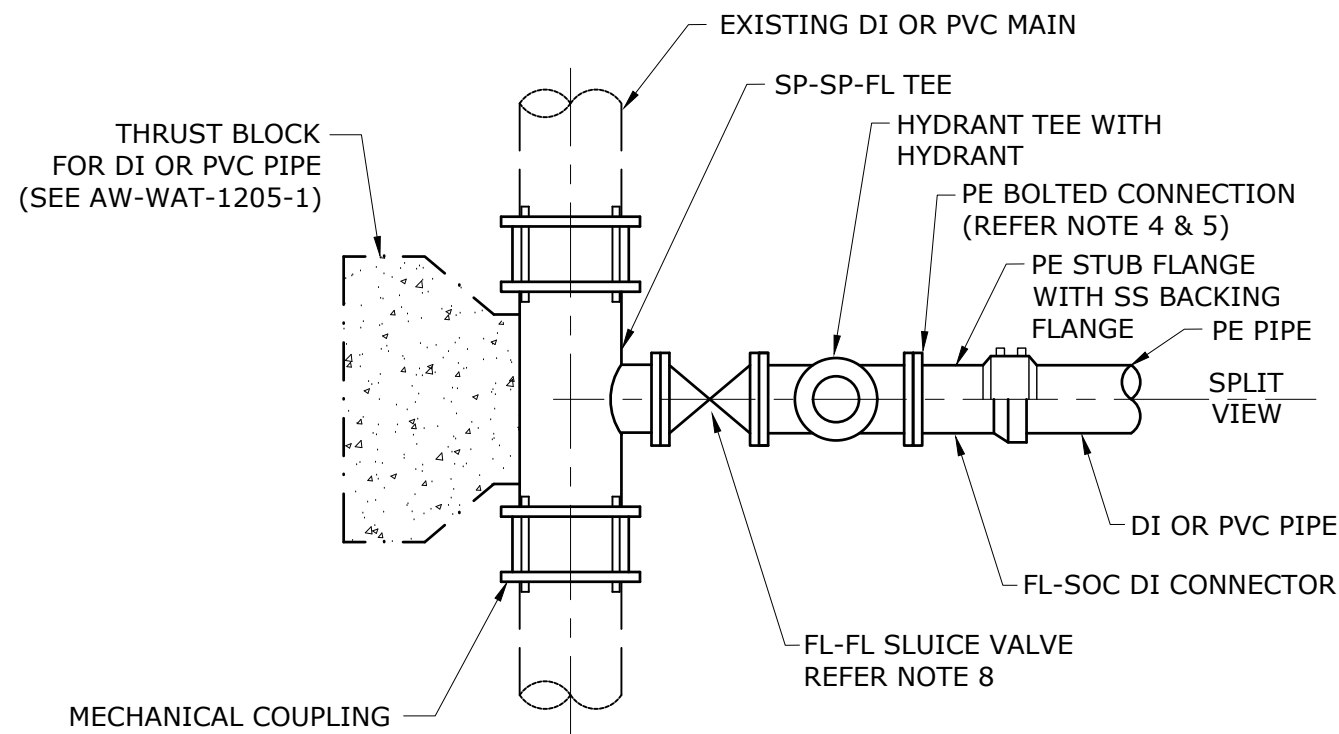
**WBBROC WATER SERVICE PROVIDERS**

WORK PRACTICES MUST COMPLY WITH ALL APPLICABLE OCCUPATIONAL HEALTH & SAFETY LEGISLATION

WATER SUPPLY STANDARD DRAWING

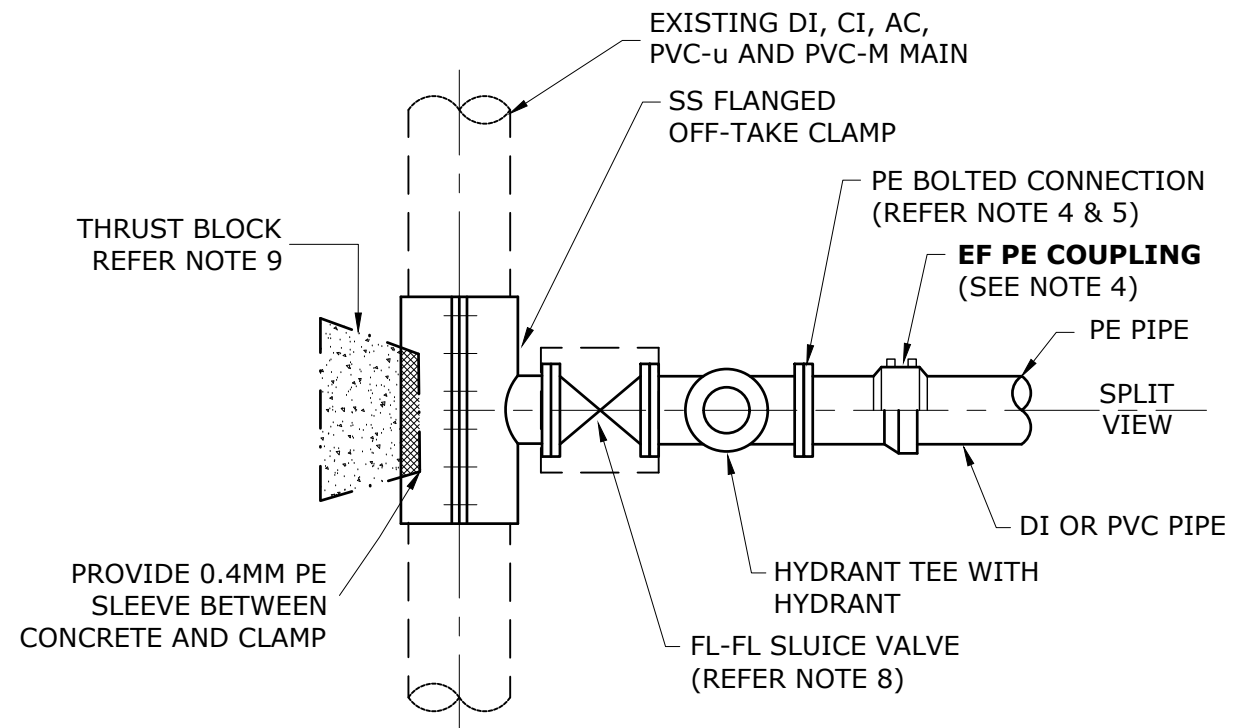
TYPICAL PE WATER MAIN DETAILS

BRC	FCRC	GRC	NBRC	SBRC
DRAWING No.				VERSION
<b>WBB-WAT-1105-1</b>				<b>A</b>
NOT TO SCALE				ORG DATE:



**CUT-IN CONNECTION METHOD**

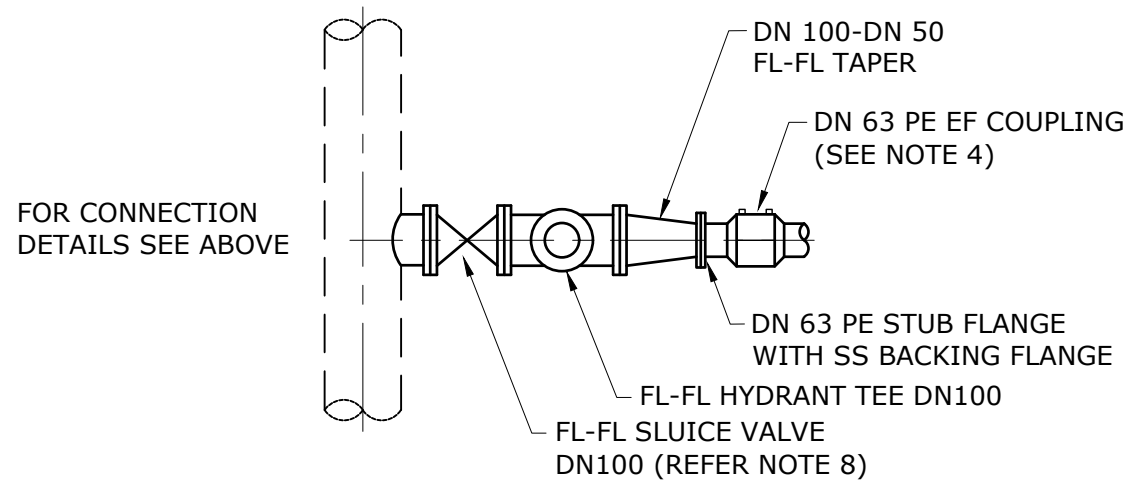
(USING MECHANICAL COUPLINGS)



**UNDER PRESSURE CONNECTION METHOD**

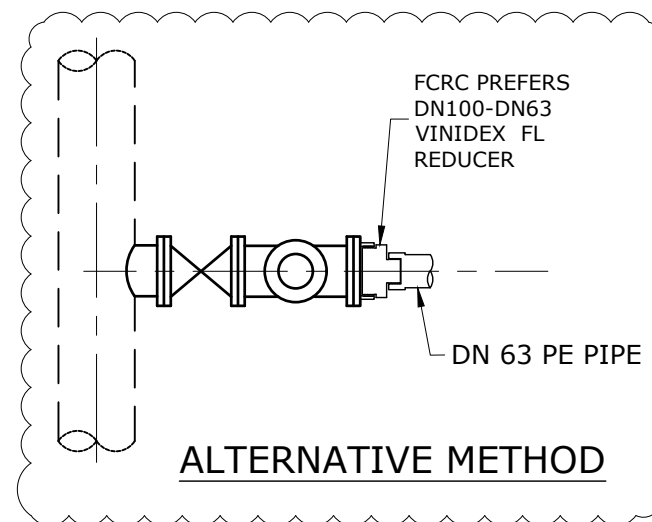
(USING SS FULL WRAP FLANGED OFFTAKE)  
(NOT PERMITTED FOR PVC-O AND PE MAINS)

**CONNECTION METHODS FOR OFFTAKE ≥ DN 100 DI, PVC AND PE PIPE**



**CONNECTION METHOD FOR DN 63 PE PIPE**

(WHERE VALVE & HYDRANT REQUIRED)



**ALTERNATIVE METHOD**

**NOTES**

1. ALL DIMENSIONS ARE IN MILLIMETRES UNLESS SHOWN OTHERWISE.
2. S.S. OFF-TAKE CLAMP TO BE GRADE 316 S.S. AND OF FULL WRAP CONFIGURATION.
3. ALL DI/CL PIPE AND FITTINGS TO BE SLEEVED OR RE-SLEEVED WITH POLYETHYLENE SLEEVING OR PETROLATUM TAPE SYSTEM.
4. PE ELECTROFUSION (EF) FITTINGS TO BE CLASS PN 16 ALTERNATIVE PE CONNECTIONS SHOWN IN WBB-WAT-1313-1.
5. BACKING FLANGES FOR PE FLANGES TO BE MANUFACTURED FROM 316 S.S. ALL BOLTS, NUTS & WASHERS TO BE 316 GRADE S.S.
6. USE GASKETS IN ACCORDANCE WITH CODE FOR ALL FLANGED CONNECTIONS.
7. DO NOT USE 'UNDER PRESSURE CONNECTIONS' ON GRP PIPE.
8. ALL VALVES SHALL BE THRUST RESTRAINED BY EITHER FORMAT SHOWN IN WBB-WAT-1206-1.
9. THRUST BLOCKS ARE NOT REQUIRED FOR PARENT MAINS DN300 AND SMALLER. THRUST BLOCKS ARE REQUIRED FOR DN300 AND LARGER BRANCHES WHERE THE THRUST BLOCK CAN BE REDUCED BY 50%. REFER MRWA-W-106 FOR ADDITIONAL DETAILS.

REV. No.	DATE	DESCRIPTION	AUTH.
A		BASED ON SEQ-WAT-1105-2 VERSION B DATED 22/07/15	

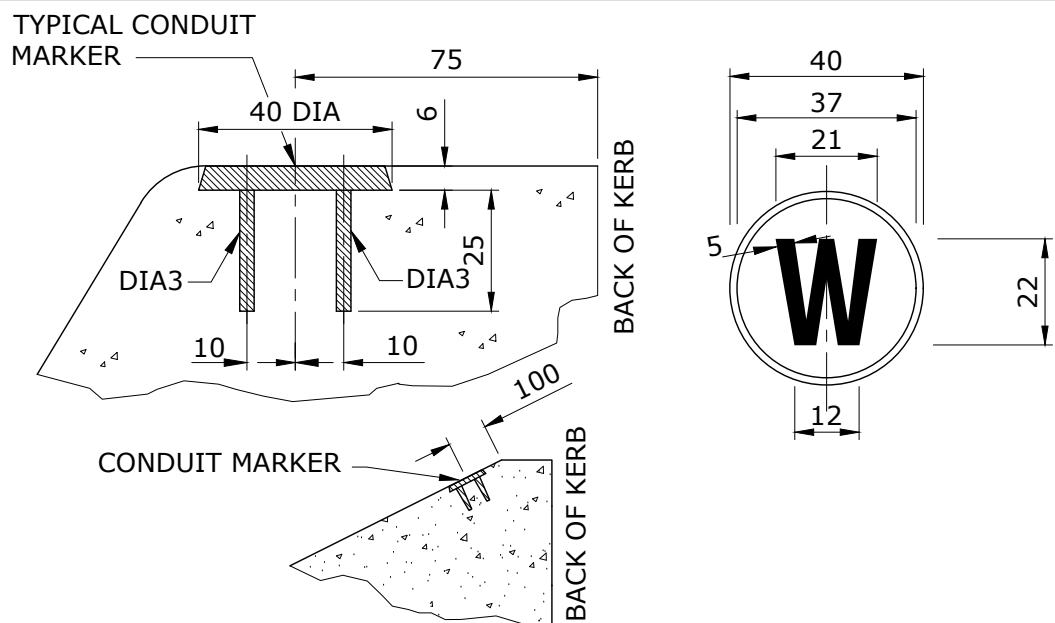
**WBBROC WATER SERVICE PROVIDERS**

WORK PRACTICES MUST COMPLY WITH ALL APPLICABLE OCCUPATIONAL HEALTH & SAFETY LEGISLATION

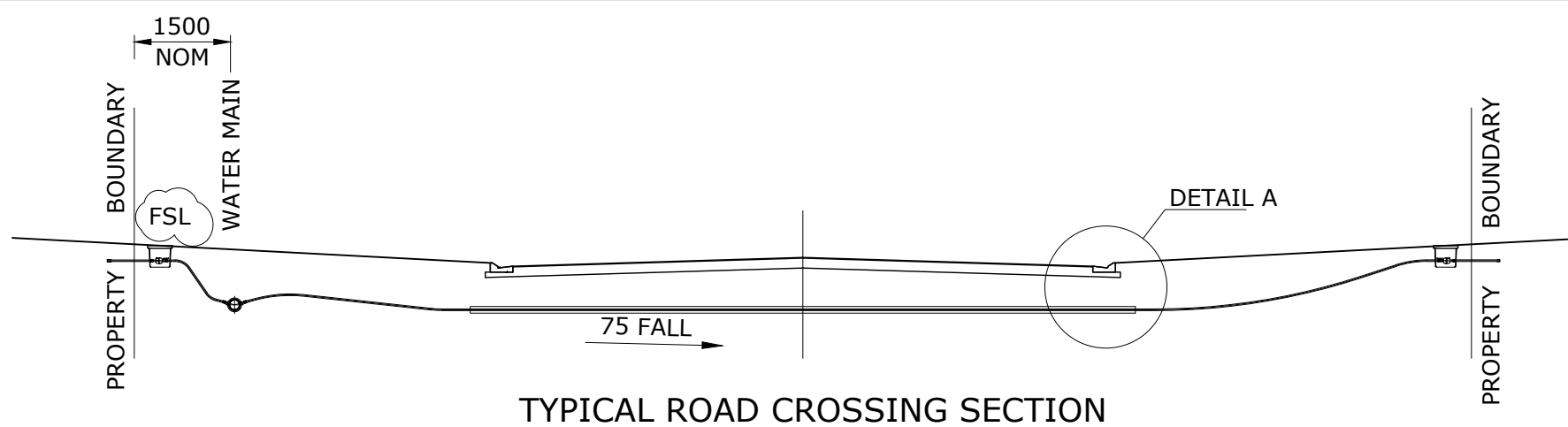
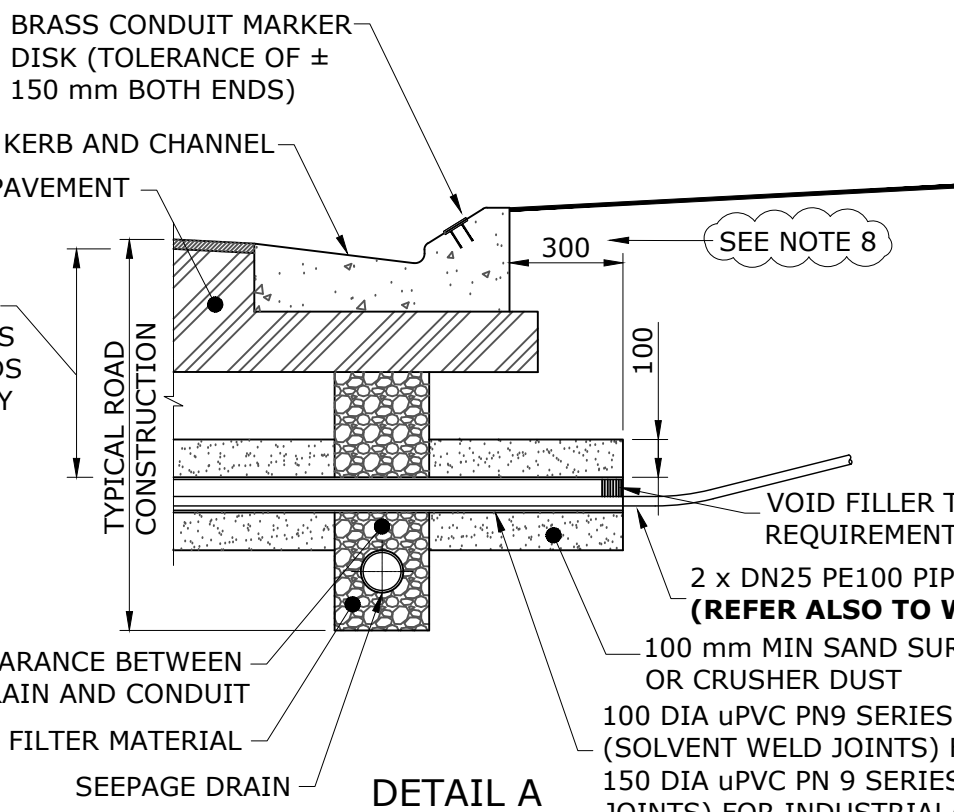
WATER SUPPLY STANDARD DRAWING  
TYPICAL  
CONNECTION TO EXISTING MAINS

BRC	FCRC	GRC	NBRC	SBRC
DRAWING No.				VERSION
<b>WBB-WAT-1105-2</b>				<b>A</b>
NOT TO SCALE				ORG DATE: 1/1/2013





**BRASS SERVICE CONDUIT MARKER**

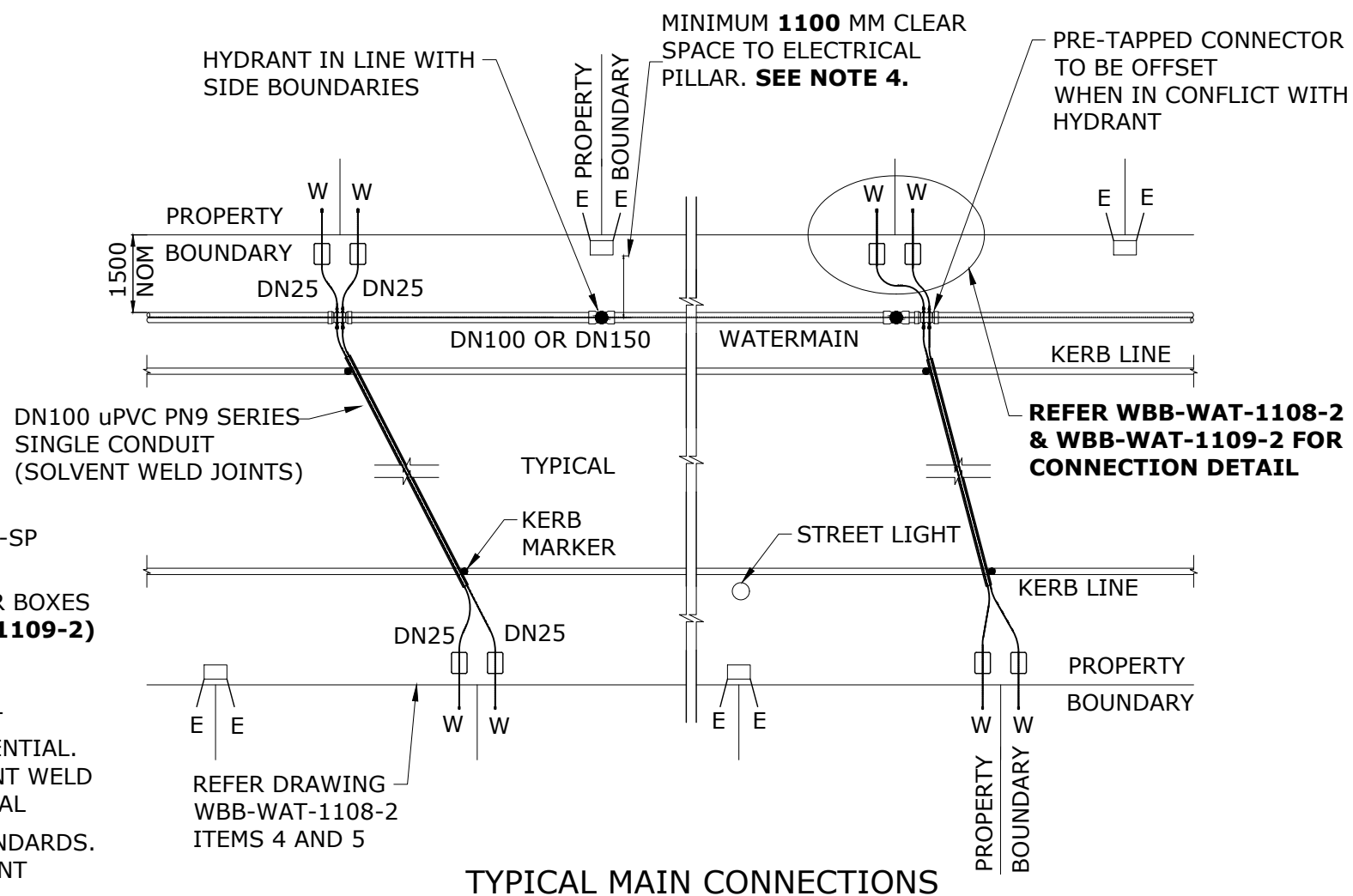


**TYPICAL ROAD CROSSING SECTION**

600 MIN URBAN AND UNCLASSIFIED ROADS  
850 MIN STATE ROADS OR AS NOMINATED BY RELEVANT ROAD AUTHORITY

**NOTES**

1. ALL WORK SHALL BE IN ACCORDANCE WITH QUEENSLAND CODES, SPECIFICATIONS AND STANDARDS.
2. UNLESS SPECIFIED OTHERWISE ALL MATERIALS AND WORK SHALL COMPLY WITH THE RELEVANT AUSTRALIAN STANDARD.
3. BACKFILLING IN ROADWAYS SHALL COMPLY WITH RELEVANT ROAD AUTHORITY REQUIREMENTS.
4. WATER CONNECTION AND CONDUIT LAYOUT TO BE DESIGNED SO THAT WATER METERS ARE NOT ADJACENT TO ELECTRICITY CONNECTION POINT.
5. ALL DIMENSIONS ARE IN MILLIMETRES.
6. SERVICE CONDUITS TO BE ANGLED ACROSS ROADWAY WITH KERB MARKERS PERPENDICULAR TO COMMON PROPERTY BOUNDARY.
7. HYDRANTS MUST BE 10 M CLEAR OF PAD MOUNT TRANSFORMERS AND RMU'S.
8. **WHERE CONCRETE FOOTPATHS/CYCLE-PATHS EXIST OR ARE PLANNED, THE SERVICE CONDUIT IS TO EXTEND PAST THE FAR SIDE OF THE PATH BY 300.**



**TYPICAL MAIN CONNECTIONS**

**LEGEND**

- E - ELECTRICITY CONNECTION POINT
- W - WATER CONNECTION & METER POINT

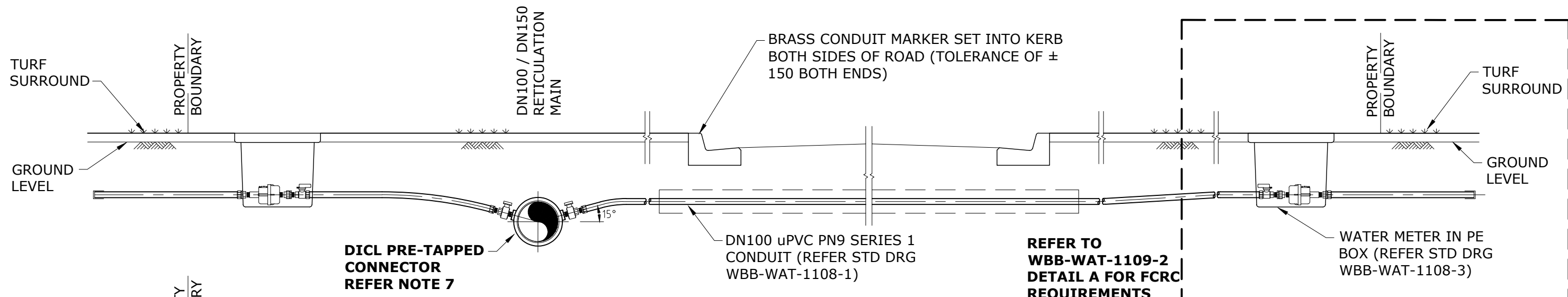
REV. No.	DATE	DESCRIPTION	AUTH.
A		BASED ON SEQ-WAT-1108-1 VERSION B DATED 25/08/2015	

**WBBROC WATER SERVICE PROVIDERS**

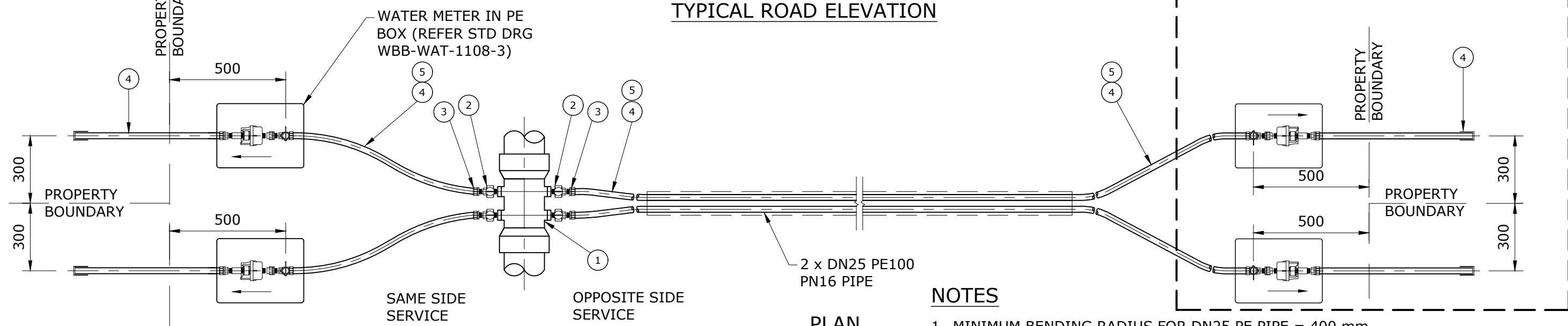
WORK PRACTICES MUST COMPLY WITH ALL APPLICABLE OCCUPATIONAL HEALTH & SAFETY LEGISLATION

WATER SUPPLY STANDARD DRAWING  
PROPERTY SERVICES  
POTABLE SERVICE CONNECTION  
CONDUIT DETAILS

BRC	FCRC	GRC	NBRC	SBRC
DRAWING No.				VERSION
<b>WBB-WAT-1108-1</b>				<b>A</b>
NOT TO SCALE				ORG DATE:



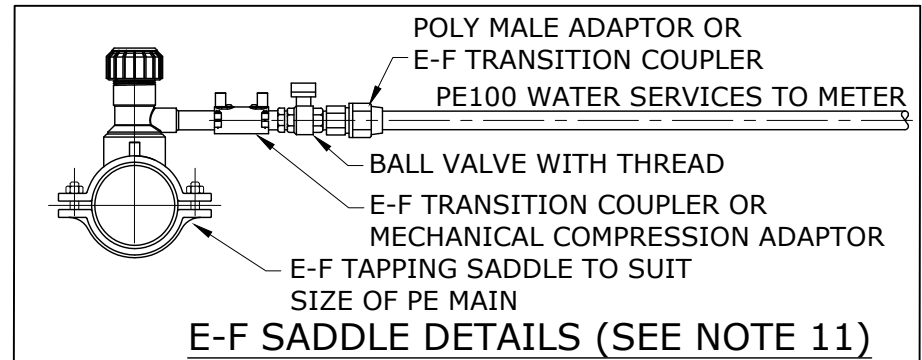
TYPICAL ROAD ELEVATION



PLAN

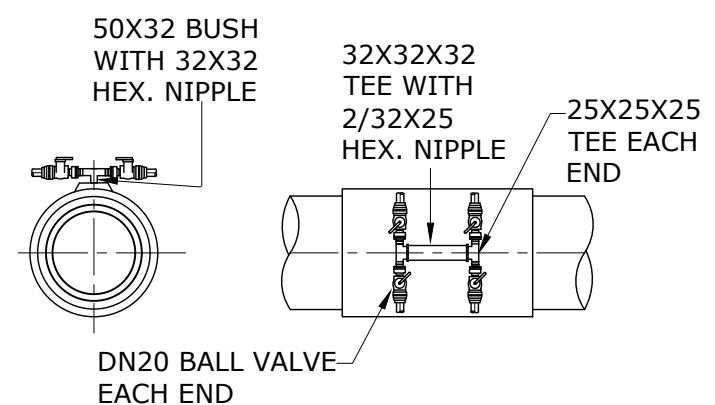
NOTES

1. MINIMUM BENDING RADIUS FOR DN25 PE PIPE = 400 mm.
2. ANY PIPEWORK SHOWING SIGNS OF KINKING OR STRAIN FROM OVER BENDING WILL BE REJECTED.
3. SERVICE PIPEWORK SHALL BE PN16 PE100 BLACK POLYETHYLENE PIPE WITH BLUE STRIPE IN ACCORDANCE WITH AS/NZS 4130.
4. ALL CONNECTIONS TO POLYETHYLENE PIPE TO BE APPROVED BRASS OR PLASTIC MECHANICAL FITTINGS.
5. PE PIPE SHALL BE LAID WITH 100 mm MINIMUM SURROUND OF SAND OR APPROVED GRANULAR MATERIAL.
6. PE PIPE SHALL BE CONTINUOUS WITHOUT JOINTS.
7. PRE-TAPPED WATER SERVICE FITTING SHALL BE DICL MIN PN16 POLYMERIC COATED AND CONFORM WITH A.S. 2280.
8. PE SERVICES SHALL HAVE APPROVED DETECTABLE MARKER TAPE LAID ON TOP OF THE BEDDING, EXTENDING FROM THE WATER MAIN TO THE METER. WHERE CONDUITS ARE USED THE MARKER TAPE SHALL BE ATTACHED TO THE WATER SERVICES AND PASS THROUGH THE CONDUIT.
9. BALL VALVES AT THE MAIN ARE TO BE LEFT IN THE OPEN POSITION AFTER CONSTRUCTION.
10. VALVES AT THE METER ARE TO BE LEFT IN THE CLOSED POSITION AFTER CONSTRUCTION.
11. E-F TAPPING SADDLES SHALL BE USED FOR ALL NEW PE MAINS. MECHANICAL TAPPINGS MAY BE USED FOR EXISTING/RENEWAL INSTALLATIONS.
12. DIMENSIONS ARE IN MILLIMETERS UNLESS SHOWN OTHERWISE.



E-F SADDLE DETAILS (SEE NOTE 11)

PIPEWORK FITTINGS FOR DN25 PE100 SERVICE	
ITEM	DESCRIPTION
1	DN100 or DN150 DICL PRE-TAPPED CONNECTOR
2	20 mm BRASS BALL VALVE M/F
3	DN25 PE TO DN20 BSP MALE BRASS OR PLASTIC MECHANICAL CONNECTORS.
4	DN25 PE100 PN16 PIPE WITH BLUE STRIPE FOR SERVICE ≤ 20 m LONG
5	DN32 PE100 PN16 PIPE WITH BLUE STRIPE FOR SERVICE > 20 m LONG



PRETAPPED TWIN CONNECTOR (DI)  
FOR DN200+ PIPES SINGLE PORT

REV. No.	DATE	DESCRIPTION	AUTH.
A		BASED ON SEQ-WAT-1108-2 VERSION B DATED 24/05/2015	

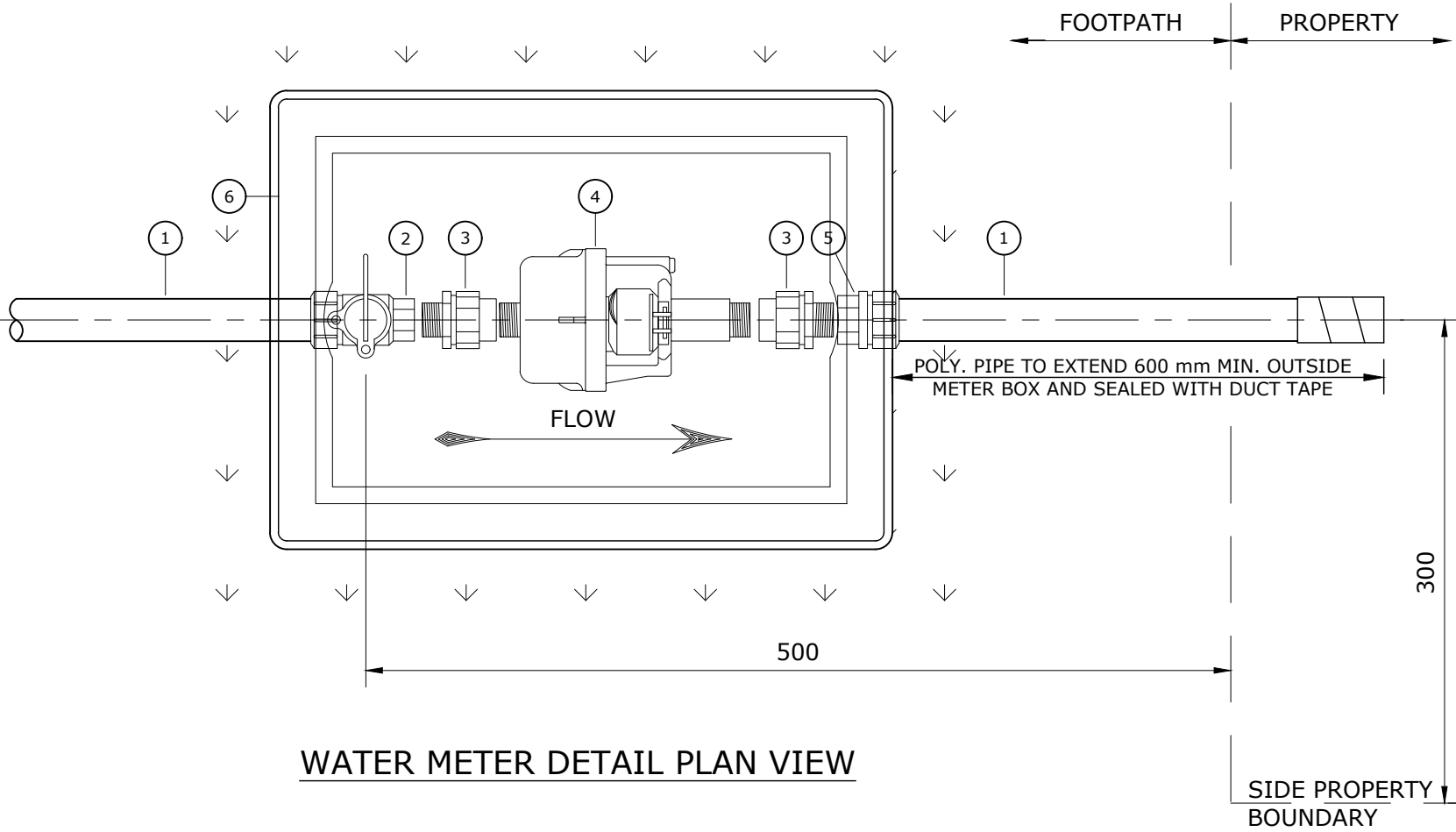
WBBROC WATER SERVICE PROVIDERS

WORK PRACTICES MUST COMPLY WITH ALL APPLICABLE OCCUPATIONAL HEALTH & SAFETY LEGISLATION

WATER SUPPLY STANDARD DRAWING  
PROPERTY SERVICES  
POTABLE SERVICE CONNECTION  
TYPICAL MAIN TO METER

BRC	FCRC	GRC	NBRC	SBRC
DRAWING No.				VERSION
WBB-WAT-1108-2				A
NOT TO SCALE				ORG DATE:

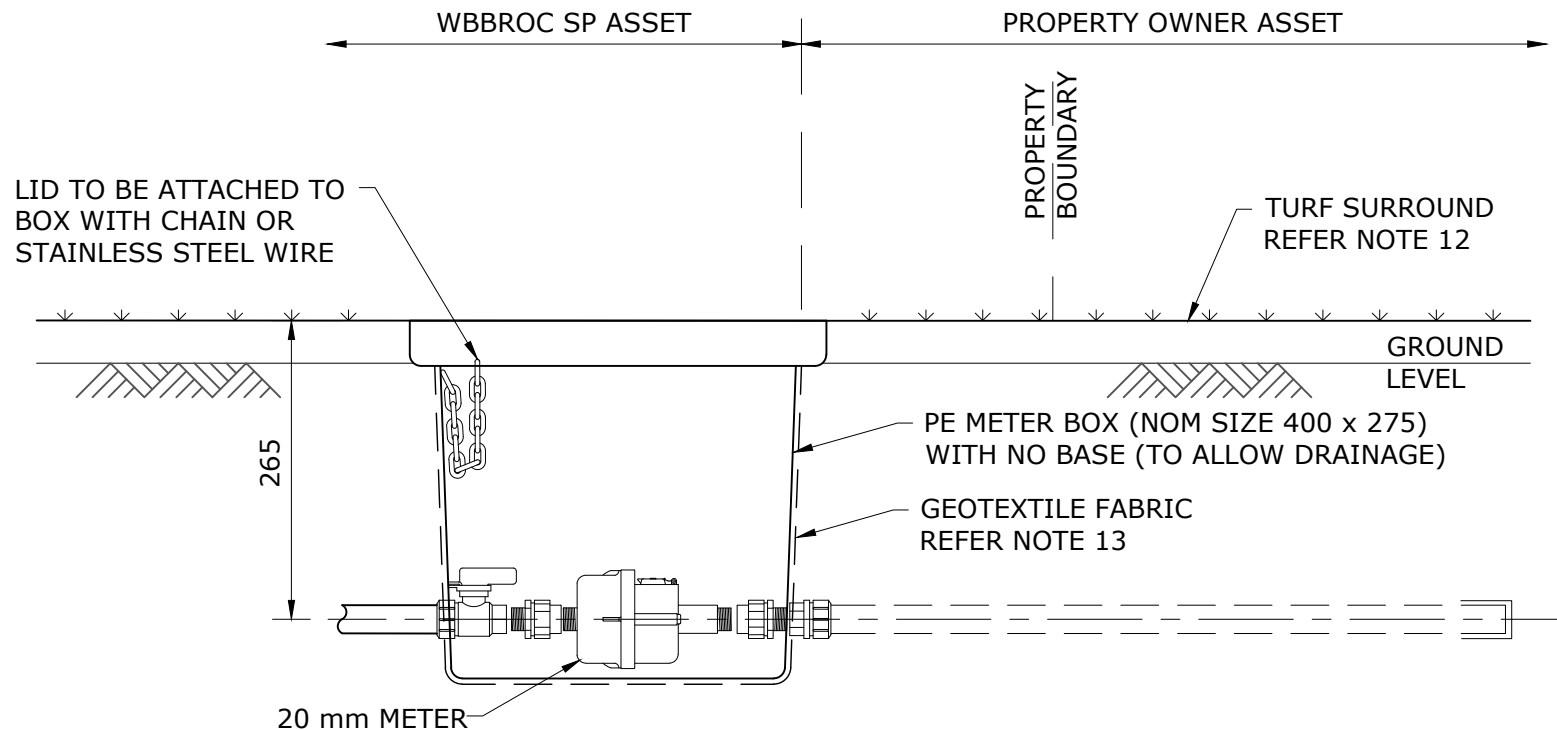
REFER STD.DWG.  
WBB-WAT-1108-2 FOR  
CONTINUATION



**WATER METER DETAIL PLAN VIEW**

**NOTES**

1. **DELETED.**
2. SERVICE PIPEWORK SHALL BE DN25 PE100 PN16 BLACK POLYETHYLENE PIPE WITH BLUE STRIPE IN ACCORDANCE WITH AS/NZS 4130.
3. ALL CONNECTIONS TO POLYETHYLENE PIPE TO BE APPROVED BRASS OR PLASTIC MECHANICAL FITTINGS.
4. ALL WATER INSTALLATIONS TO BE CARRIED OUT BY A LICENSED PLUMBER AND TO BE IN ACCORDANCE WITH RELEVANT BY-LAWS OF PLUMBING AND DRAINAGE ACT.
5. ALL PLUMBING FITTINGS TO BE GUNMETAL OR BRASS - DEZINCIFIED RESISTANT "DR" AND APPROVED TO AS 3855.
6. ALL BRASS FITTINGS SHALL HAVE MAKERS NAME OR MARK AND WATERMARK IMPRINTED ON SURFACE OF FITTING TO PROVE COMPLIANCE WITH AS 3855.
7. VALVES AT THE METER ARE TO BE LEFT IN THE CLOSED POSITION AFTER CONSTRUCTION.
8. WATER SERVICES ARE TO BE INSPECTED BY WBBROC-SP INSPECTOR PRIOR TO BACKFILL.
9. BALL VALVE, WATER METER AND METER BOX TO BE APPROVED.
10. METER BOX LID SHALL HAVE NON SLIP PATTERN, LETTERING CAST INTO LID INDICATING "WATER METER" AND BE BLACK IN COLOUR.
11. METER BOX LID TO BE LEFT SO THAT IT SITS FLUSH WITH TURF SURROUND.
12. TURF SURROUND TO EXTEND A MINIMUM OF 600 mm ON ALL SIDES OF METER BOX.
13. GEOTEXTILE FABRIC TO BE LAID UNDERNEATH METER BOX TAPED EACH SIDE AND AROUND PIPE TO PREVENT INGRESS OF SAND AND SOIL.
14. **REFER TO WBB-WAT-1109-2 FOR THE REQUIREMENTS OF THE SUPPLY AND INSTALLATION OF SERVICE CONNECTIONS AND WATER METERS.**



**WATER METER DETAIL SECTIONAL VIEW**

**FITTINGS SCHEDULE**

ITEM	DESCRIPTION	No OFF AS REQ.
1	DN25 PE100 PN16 PIPE WITH BLUE STRIPE	AS REQ.
2	20 mm x 25 mm FEMALE/PE BRASS LOCKABLE BALL VALVE WITH HANDLE (REFER NOTE 9)	1
3	CONNECTION KIT (COMPRISES OF 2xDN20 BSP M/F BRASS UNIONS)	1
4	DN20 METER WITH DUAL CHECK VALVES (REFER NOTE 1)	1
5	DN25 PE TO DN20 MALE BRASS OR PLASTIC MECHANICAL CONNECTOR	1
6	PE METER BOX WITH LID (REFER NOTE 9)	

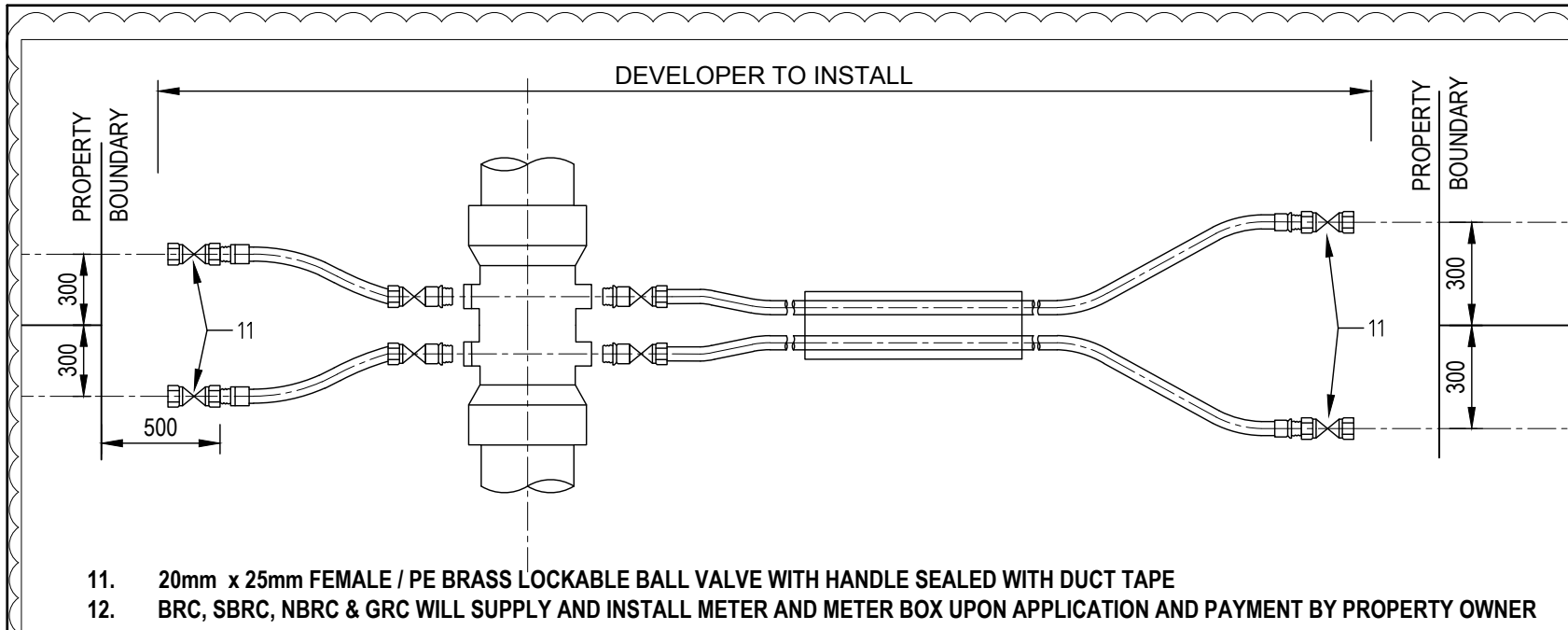
REV. No.	DATE	DESCRIPTION	AUTH.
A		BASED ON SEQ-WAT-1108-3 VERSION B DATED 21/07/2015	

**WBBROC WATER SERVICE PROVIDERS**

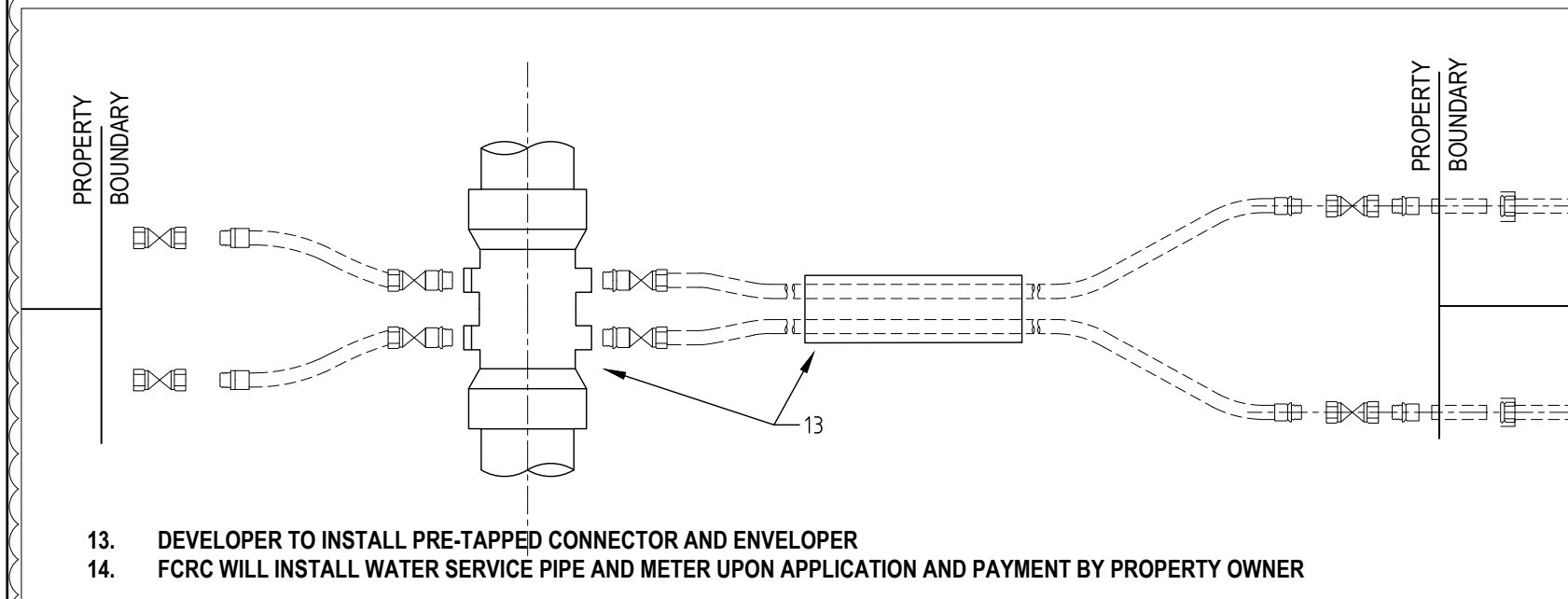
WORK PRACTICES MUST COMPLY WITH ALL APPLICABLE OCCUPATIONAL HEALTH & SAFETY LEGISLATION

WATER SUPPLY STANDARD DRAWING  
PROPERTY SERVICES  
POTABLE SERVICE CONNECTION  
20mm DOMESTIC SERVICE  
METER BOX DETAILS

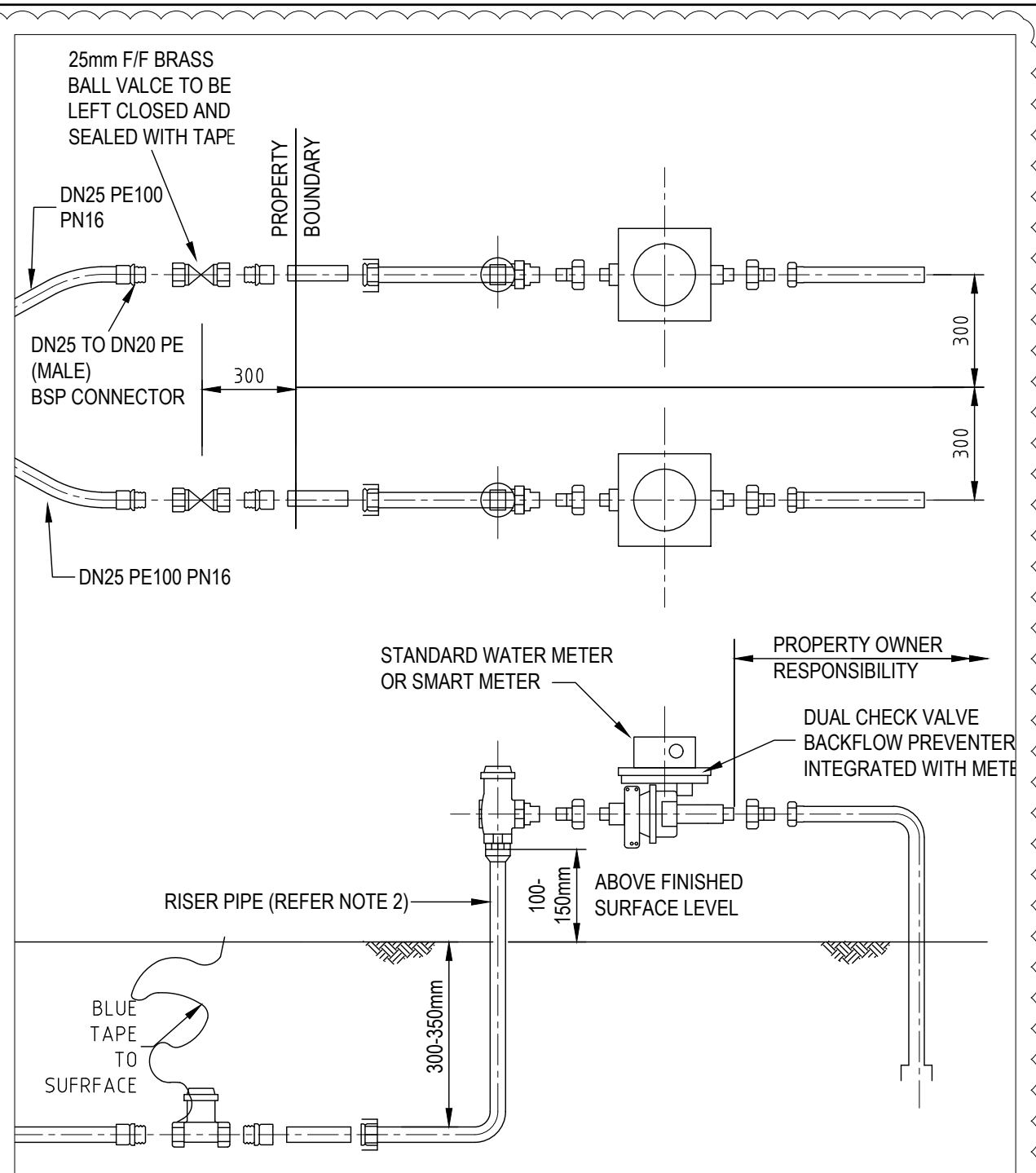
BRC	FCRC	GRC	NBRC	SBRC
DRAWING No.				VERSION
<b>WBB-WAT-1108-3</b>				<b>A</b>
NOT TO SCALE				ORG DATE:



**DEVELOPER RESPONSIBILITY IN BRC, GRC, NBRC & SBRC**



**DEVELOPER RESPONSIBILITY IN FCRC**



**DETAIL A - FCRC METER INSTALLATION**

**NOTES FOR FCRC INSTALLATION:**

1. ALL DIMENSIONS IN MILLIMETERS
2. MATERIAL FOR COPPER STANDPIPE TO BE TYPE A COPPER PIPE TO AS1432 (COPPER ALLOY FITTINGS TO AS3688)
3. ORIENTATE METER PARALLEL TO OR AT RIGHT ANGLES TO THE FRONT BOUNDARY
4. BACKFLOW PREVENTION AS PER AS3500
5. CLEARANCE FROM GROUND TO RPZ TO BE 300mm
6. PRE-TAPPED CONNECTIONS ONLY TO BE USED IN RESIDENTIAL SUBDIVISIONS (TAPPING BAND REQUIRE SP APPROVAL)
7. PE100 PN16 BLACK POLYETHYLENE PIPE WITH BLUE STRIPE IN ACCORDANCE WITH AS/NZ 4130
8. DEVELOPER CONSTRUCTED WORK TO BE CERTIFIED BY LICENSED PLUMBER
9. MINIMUM BENDING RADIUS FOR PE100 PIPE IS 15 x DN
10. ANY PIPEWORK SHOWING SIGNS OF KINKING OR STRAIN FROM OVER BENDING WILL BE REJECTED

REV. No.	DATE	DESCRIPTION	AUTH.
A		BASED ON SEQ-WAT-1104-1 VERSION A DATED 1/1/2013	

**WBBROC WATER SERVICE PROVIDERS**

WORK PRACTICES MUST COMPLY WITH ALL APPLICABLE OCCUPATIONAL HEALTH & SAFETY LEGISLATION

**WATER SUPPLY STANDARD DRAWING**

**TYPICAL CUL-DE-SAC ARRANGEMENT**

BRC	FCRC	GRC	NBRC	SBRC
DRAWING No.				VERSION
<b>WBB-WAT-1109-2</b>				<b>A</b>
NOT TO SCALE				ORG DATE: 1/1/2013

**PREPARING THE TEST AREA:**

CONDUCT ALL NATIVE SOIL IDENTIFICATION TESTS ON A FRESHLY EXPOSED, DAMP, HAND TRIMMED AREA OF THE TRENCH WALL IN THE PIPE ZONE. TAKE CARE THAT THE SOIL IN THE EXPOSED TEST AREA IS NOT COMPACTED OR LOOSENED DURING TRENCH EXCAVATION. IF THE SOIL IN THE TRENCH FLOOR AND WALL IS VERY DRY AT THE TIME THE TRENCH IS OPENED THEN FLOOD THE TEST AREA AND ALLOW TIME FOR THE WATER TO BE ABSORBED BY THE SOIL BEFORE IT IS TRIMMED AND TESTED.

**IDENTIFYING CLAY SOILS:**

A LUMP OF CLAY SOIL WILL BE DIFFICULT TO BREAK WHEN DRY. IT WILL BE STICKY AND NEED SOME EFFORT TO MOULD WITH THE FINGERS WHEN WET. CLAY WILL NOT WASH OFF EASILY. INDIVIDUAL CLAY PARTICLES ARE HARD TO SEE.

**TESTING CLAY SOILS:**

CLAY SOILS ARE BEST TESTED IN THE WALL OF THE TRENCH. THE FIST, THE THUMB OR THE THUMBNAIL ARE USED TO DETERMINE THE CONSISTENCY (STRENGTH) OF THE CLAY (SEE TABLE.)

**IDENTIFYING CLEAN SAND SOILS:**

THE INDIVIDUAL GRAINS OF SAND WILL BE VISIBLE TO THE EYE. A LUMP OF CLEAN SAND, IF IT CAN BE PICKED UP AT ALL, WILL CRUMBLE WITH VERY LITTLE EFFORT. CLEAN SAND WASHES OFF EASILY.

**TESTING CLEAN SAND SOILS:**

CLEAN SAND SOILS ARE BEST TESTED IN THE FLOOR OF THE TRENCH BY PUSHING WITH THE WHOLE BODY WEIGHT ON ONE FOOT. THE DEPTH OF THE DEPRESSION LEFT BY THE BOOT IS RELATED TO THE DENSITY OF THE SAND (SEE TABLE). TAKE CARE TO ENSURE THAT THE SAND IN THE TRENCH FLOOR WAS NOT COMPACTED OR LOOSENED DURING THE EXCAVATION OF THE TRENCH OR THE TRIMMING OF THE TEST AREA.

**TESTING ROCK:**

THE RECOMMENDED FIELD IDENTIFICATION TESTS FOR ROCK RELY ON OBSERVING THE EASE WITH WHICH THE ROCK CAN BE DUG WITH A PICK, AND ESTIMATING THE SPACING OF THE JOINTS IN THE ROCK. (JOINTS ARE COMMONLY CALLED CRACKS OR BREAKS). THE SPACING BETWEEN JOINTS IS IMPORTANT BECAUSE THE ALLOWABLE BEARING PRESSURE ON ROCK IS USUALLY CONTROLLED BY THE JOINTS IN IT, RATHER THAN THE INHERENT STRENGTH OF THE BLOCK OF ROCK. JOINTS MAY BE TIGHTLY CLOSED (LIKE HAIRLINE CRACKS), BUT CAN ALSO BE OPEN (FILLED WITH AIR) OR FILLED WITH SOFT CLAY OR OTHER SOIL.

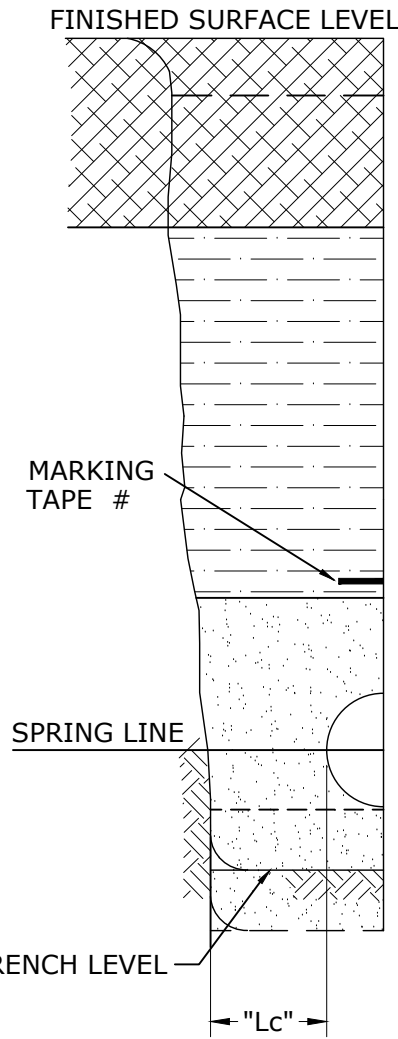
SOIL CLASSIFICATION		FIELD IDENTIFICATION TEST	▲ AHBP kPa
CLAY SOILS	VERY SOFT	EASILY PENETRATED 40 mm WITH FIST.	< 50 *
	SOFT	EASILY PENETRATED 40 mm WITH THUMB.	< 50 *
	FIRM	MODERATE EFFORT NEEDED TO PENETRATE 30 mm WITH THUMB.	< 50 *
	STIFF	READILY INDENTED WITH THUMB BUT PENETRATED ONLY WITH GREAT EFFORT.	50
	VERY STIFF	READILY INDENTED WITH THUMBNAIL.	100
	HARD	INDENTED WITH DIFFICULTY BY THUMBNAIL.	200
SAND & GRAVEL	LOOSE CLEAN SAND	TAKES FOOTPRINT MORE THAN 10 mm DEEP.	< 50 *
	MEDIUM-DENSE CLEAN SAND	TAKES FOOTPRINT 3 mm TO 10 mm DEEP.	50
	DENSE CLEAN SAND OR GRAVEL	TAKES FOOTPRINT LESS THAN 3 mm DEEP.	100
ROCK	BROKEN OR DECOMPOSED ROCK	DIGGABLE. HAMMER BLOW "THUDS". JOINTS (BREAKS IN ROCK) SPACED AT LESS THAN 300 mm APART.	100
	SOUND ROCK	DIGGABLE. HAMMER BLOW "THUDS". JOINTS (BREAK IN ROCK) SPACED AT MORE THAN 300 mm APART.	200
UNCOMPACTED FILL DOMESTIC REFUSE		OBSERVATION AND KNOWLEDGE OF THE SITE HISTORY.	< 50 *

**LEGEND**

- ▲ AHBP ALLOWABLE HORIZONTAL BEARING PRESSURE FOR:
  - 10 mm MOVEMENT.
  - CENTRE OF THRUST 800 mm BELOW THE NATURAL SURFACE LEVEL. (EXCLUDES ENGINEERED FILL AND DISTURBED GROUND)
  - EXCLUDES HIGH WATER TABLE.
- \* SPECIAL GEOTECHNICAL ASSESSMENT REQUIRED

REV. No.	DATE	DESCRIPTION	AUTH.	<b>WBBROC WATER SERVICE PROVIDERS</b>  <small>WORK PRACTICES MUST COMPLY WITH ALL APPLICABLE OCCUPATIONAL HEALTH &amp; SAFETY LEGISLATION</small>	WATER SUPPLY STANDARD DRAWING					BRC	FCRC	GRC	NBRC	SBRC
					TYPICAL SOIL CLASSIFICATION GUIDELINES AND ALLOWABLE BEARING PRESSURES FOR ANCHORS & THRUST BLOCKS					DRAWING No.			VERSION	
										<b>WBB-WAT-1200-1</b>			<b>A</b>	
										NOT TO SCALE			ORG DATE:	
A		BASED ON SEQ-WAT-1200-1 VERSION A DATED 1/1/2013												

MATERIAL		ZONE
ROAD SURFACE	VERGE & TRACK	
ROAD SURFACE LAYER	TO MATCH EXISTING	SURFACE COURSE
TO MATCH EXISTING ROAD BASE OR TO ROAD OWNER'S REQUIREMENTS	TO ROAD OWNER'S REQUIREMENTS OR INORGANIC FILL WITH 75 MAXIMUM STONE SIZE	ROAD BASE
TO ROAD OWNER'S REQUIREMENTS (SEE NOTE 5) OR INORGANIC FILL WITH 75 MAXIMUM STONE SIZE		TRENCH FILL
EMBEDMENT MATERIAL IN ACCORDANCE WITH DESIGN DRAWINGS AND WBBROC-SP REQUIREMENTS.		OVERLAY
WHERE APPROVED BY WBBROC-SP, BEDDING MAY BE OMITTED IF TRENCH BASE IS GRANULAR SAND		SIDE SUPPORT
		BEDDING
		OVER-EXCAVATION



DIAMETER

MINIMUM PIPE COVER

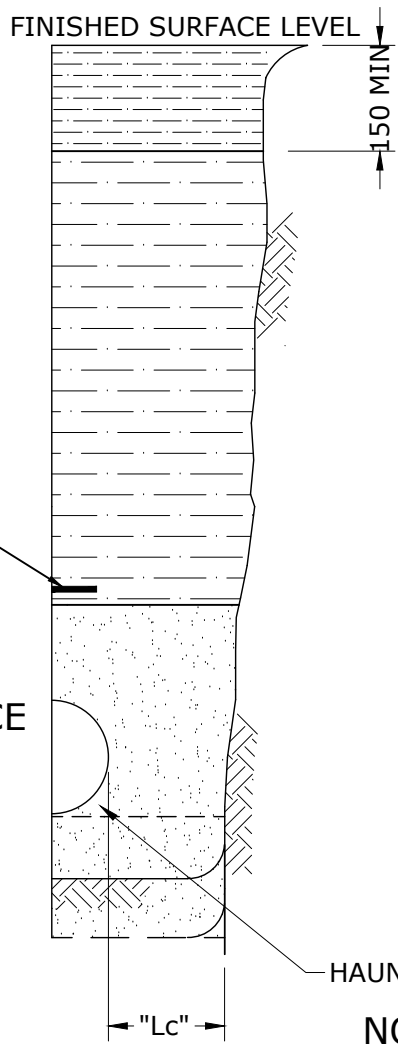
LOCATION	NOMINAL DIAMETER	
	≤150	≥200
NON ROADWAYS	600	1000
SEALED ROADS	600	1000
MAJOR ROADWAYS/ EMBANKMENTS/ COMMERCIAL/ INDUSTRIAL AREAS	750	1000
FREEWAYS	1200	1200

SPRING LINE TRENCH CLEARANCE

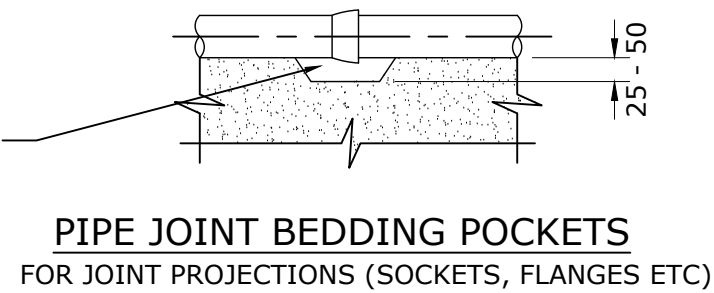
NOMINAL DIAMETER (DN)	MINIMUM CLEARANCE "Lc" TO AS/NZS 2566.1
≤300	150
>300-≤450	200
>450-≤900	300
>900-≤1500	350

TRENCH WIDTH TO BE SUFFICIENT TO SAFELY LAY THE PIPE AND COMPACT THE SIDE SUPPORT ZONE.

ZONE		MATERIAL
TOPSOIL OR FOOTWAY SURFACE	ORIGINAL MATERIAL OR IMPORTED MATERIAL OF EQUAL QUALITY	
TRENCH FILL		INORGANIC FILL WITH 75 MAXIMUM STONE SIZE
EMBEDMENT	OVERLAY	EMBEDMENT MATERIAL IN ACCORDANCE WITH DESIGN DRAWINGS AND WBBROC-SP REQUIREMENTS.  WHERE APPROVED BY WBBROC-SP, BEDDING MAY BE OMITTED IF TRENCH BASE IS GRANULAR SAND
	SIDE SUPPORT	
	BEDDING	
	OVER-EXCAVATION	



**NO VEHICULAR LOADING**  
(INCLUDES LOCATIONS WHERE OCCASIONAL VEHICLES LOADINGS OCCUR EG. PARKLANDS, FOOTWAYS)



PROVIDE POCKETS IN BEDDING, AT JOINTS PRIOR TO LAYING PIPES. FILL VOID DURING PLACEMENT OF EMBEDMENT.

**PIPE JOINT BEDDING POCKETS**  
FOR JOINT PROJECTIONS (SOCKETS, FLANGES ETC)

**VEHICULAR LOADING**

**LEGEND**

# SPECIFIED BY THE DESIGNER IN DESIGN DRAWINGS

**NOTES**

- ALL DIMENSIONS IN MILLIMETRES.
- BEDDING - SPECIAL BEDDING SHALL BE SPECIFIED TO SUIT THE CONDITIONS IF THE TRENCH FLOOR HAS:
  - IRREGULAR OUTCROPS OF ROCK.
  - AHBP OF < 50 kPa (SEE WBB-WAT-1200-1), OR
  - UNCONTROLLED GROUND WATER HAS DISTURBED THE FLOOR OF THE TRENCH.
- EMBEDMENT, TRENCH FILL AND COMPACTION TO MEET THE 3. REQUIREMENTS OF WSA-03 PART 3 AND WBBROC-SP **OR AS APPROVED BY RPEQ.**
- SIDES OF EXCAVATION TO BE KEPT VERTICAL TO AT LEAST 150 ABOVE THE PIPE.
- DESIGNER TO CHECK ON RELEVANT ROAD AUTHORITIES REQUIREMENTS.
- ADDITIONAL INFORMATION PROVIDED IN WBB-WAT-1200 SERIES COMMENTARY

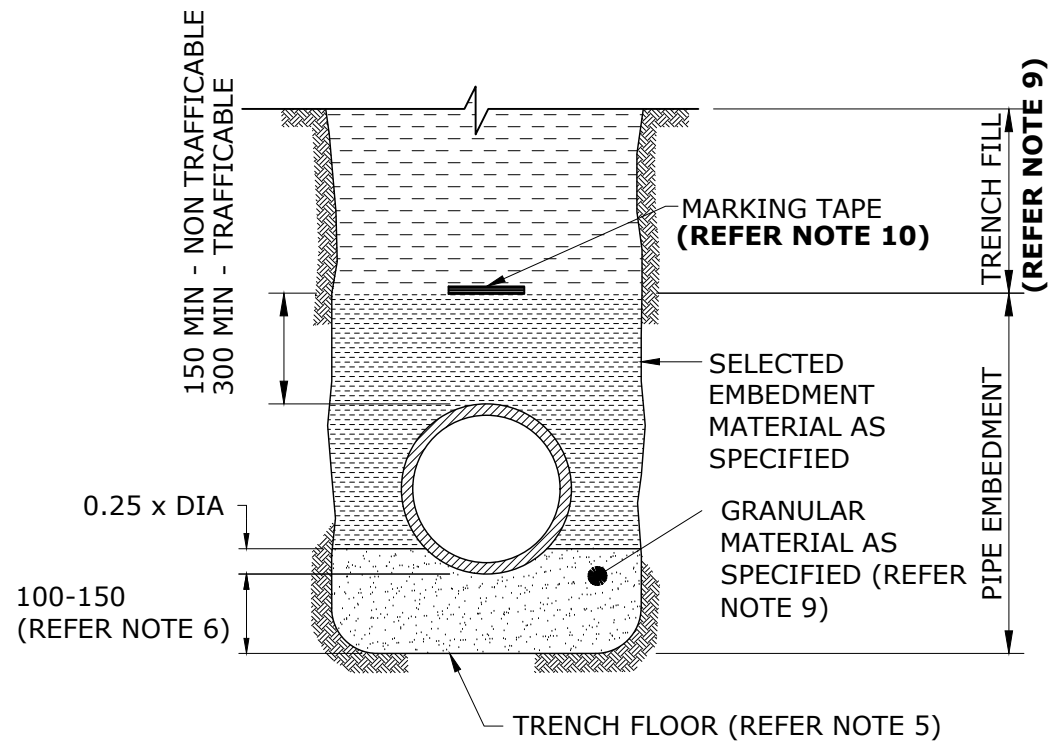
REV. No.	DATE	DESCRIPTION	AUTH.
A		BASED ON SEQ-WAT-1200-2 VERSION B DATED 20/08/2015	

**WBBROC WATER SERVICE PROVIDERS**

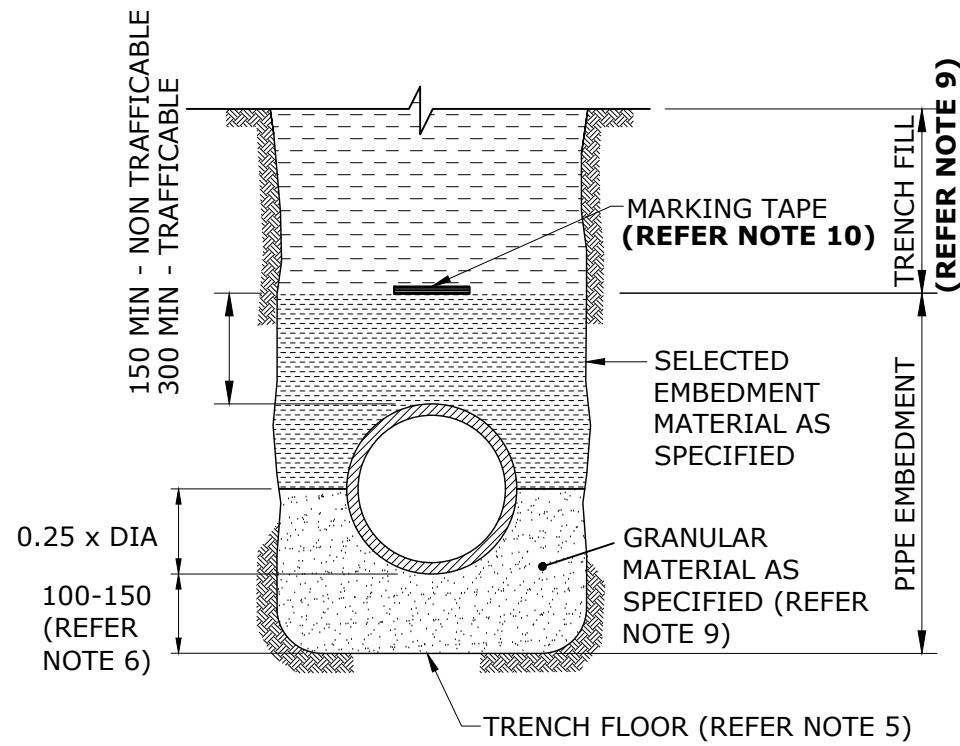
WORK PRACTICES MUST COMPLY WITH ALL APPLICABLE OCCUPATIONAL HEALTH & SAFETY LEGISLATION

WATER SUPPLY STANDARD DRAWING  
EMBEDMENT & TRENCHFILL  
TYPICAL ARRANGEMENT

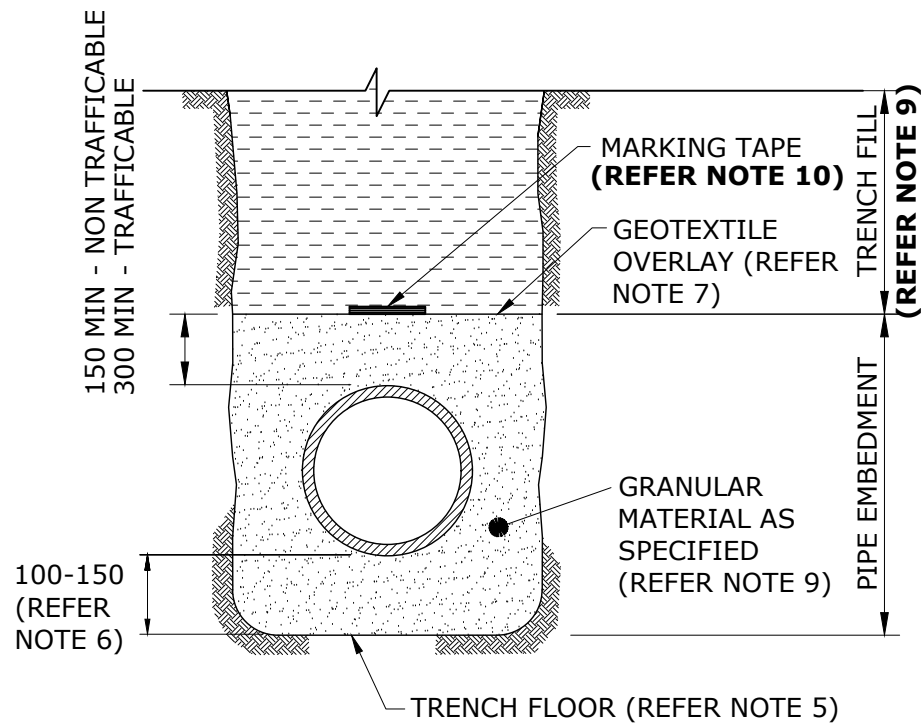
BRC	FCRC	GRC	NBRC	SBRC
DRAWING No.				VERSION
<b>WBB-WAT-1200-2</b>				<b>A</b>
NOT TO SCALE				ORG DATE:



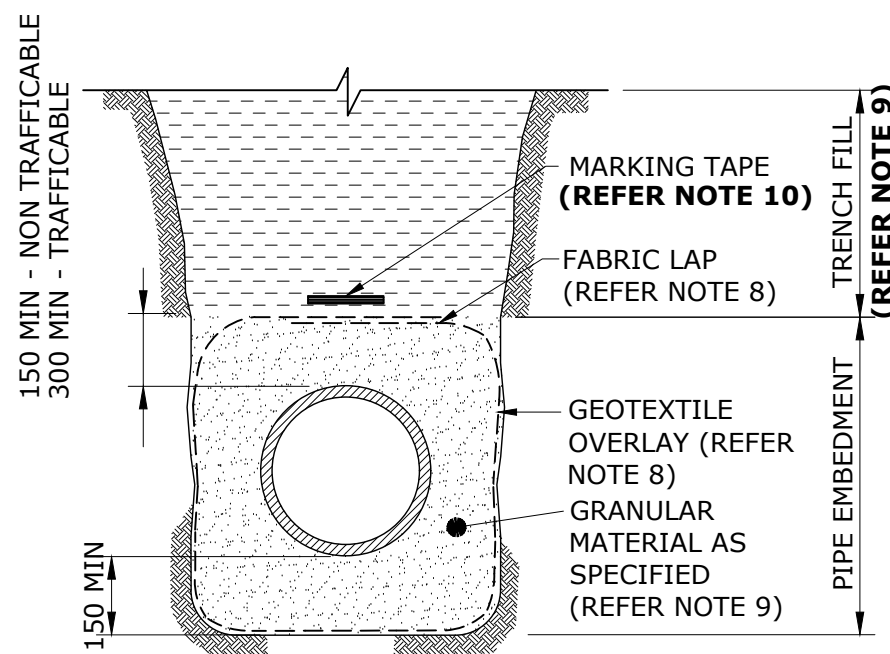
**TYPE A SUPPORT**  
FOR RIGID PIPES ONLY ( REFER NOTE 3 )



**TYPE B SUPPORT**  
FOR RIGID PIPES ONLY ( REFER NOTE 3 )



**TYPE C SUPPORT**  
FOR FLEXIBLE & RIGID PIPES ( REFER NOTE 3 )



**TYPE D SUPPORT - WITH GEOTEXTILE**  
FOR FLEXIBLE & RIGID PIPES ( REFER NOTE 3 )

**NOTES**

1. ALL DIMENSIONS IN MILLIMETRES.
2. THIS DRAWING TO BE READ IN CONJUNCTION WITH WBB-WAT-1200.
3. PIPE CLASSIFICATION
  - (a) RIGID PIPES: VC AND RC
  - (b) FLEXIBLE PIPES: PVC, GRP, STEEL, DI AND PE.
4. PLACEMENT OF EMBEDMENT, TRENCHFILL & COMPACTION TO MEET THE REQUIREMENTS OF THE CODE.
5. EXCAVATE OR COMPACT TRENCH FLOOR TO PROVIDE A FLAT FIRM BASE TO SUPPORT BEDDING MATERIAL AND MINIMISE PIPELINE SETTLEMENT. WHEN EXCAVATED, REPLACE WITH GRANULAR MATERIAL AS SPECIFIED FOR BEDDING OR ADOPT TYPE E,F,G OR H SUPPORT AS REQUIRED.
6. ENSURE BEDDING IS DEEP ENOUGH THAT PIPE JOINT PROJECTIONS (SOCKETS, FLANGES) DO NOT TOUCH TRENCH FLOOR.
- 7A. GEOTEXTILE TO BE USED WHERE TRENCH FILL IS A SAND OR FINE CLAY MATERIAL.
- 7B. TYPE D SUPPORT TO BE USED WHERE MIGRATORY NATIVE SOILS. (SANDS & CLAYS) ARE ENCOUNTERED ADJACENT TO THE EMBEDMENT ZONE AND SINGLE SIZE AGGREGATE IS USED.
8. LAY GEOTEXTILE FILTER FABRIC AGAINST TRENCH FLOOR AND WALLS SUCH THAT IT FULLY ENCASES THE EMBEDMENT.
  - PRESS FABRIC INTO THE VOIDS BEFORE INSTALLING EMBEDMENT TO PREVENT FABRIC TEARING.
  - PROVIDE A MINIMUM OF 250 OVERLAP AT ALL FABRIC JOINTS.
9. PURCHASE SPECIFICATIONS FOR TRENCH FILL AND EMBEDMENT MATERIAL ARE DETAILED IN THE CODE.
10. **DETECTABLE MARKER TAPE SHALL BE PROVIDED EITHER ABOVE THE EMBEDMENT ZONE OR 1000 BELOW THE F.S.L, WHICHEVER IS CLOSEST TO F.S.L.**
11. **EMBEDMENT TYPES TO BE SPECIFIED IN DESIGN DRAWINGS.**
12. **TYPE C PREFERRED, FOR OTHER SUPPORT TYPES OBTAIN SP PRE-APPROVAL.**

**DELETED**

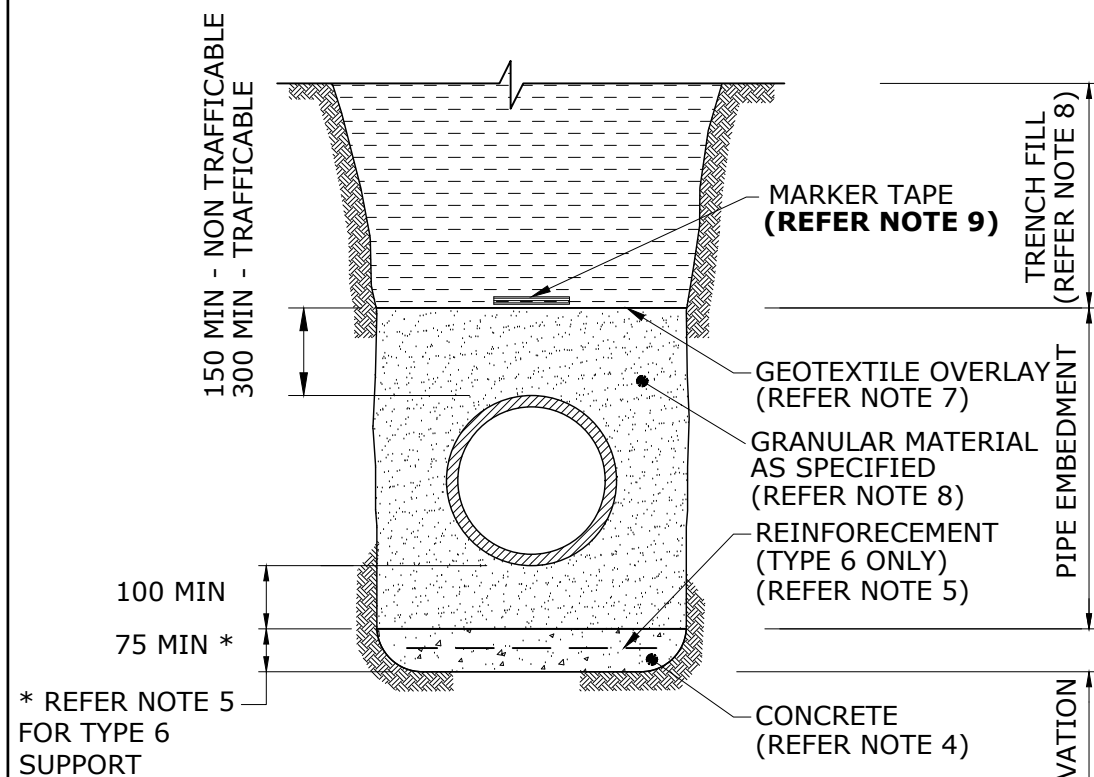
REV. No.	DATE	DESCRIPTION	AUTH.
A		BASED ON SEQ-WAT-1201-1 VERSION A DATED 1/1/2013	

**WBBROC WATER SERVICE PROVIDERS**

WORK PRACTICES MUST COMPLY WITH ALL APPLICABLE OCCUPATIONAL HEALTH & SAFETY LEGISLATION

WATER SUPPLY STANDARD DRAWING  
STANDARD EMBEDMENT  
TYPICAL FLEXIBLE & RIGID PIPES

BRC	FCRC	GRC	NBRC	SBRC
DRAWING No.				VERSION
<b>WBB-WAT-1201-1</b>				<b>A</b>
NOT TO SCALE				ORG DATE:

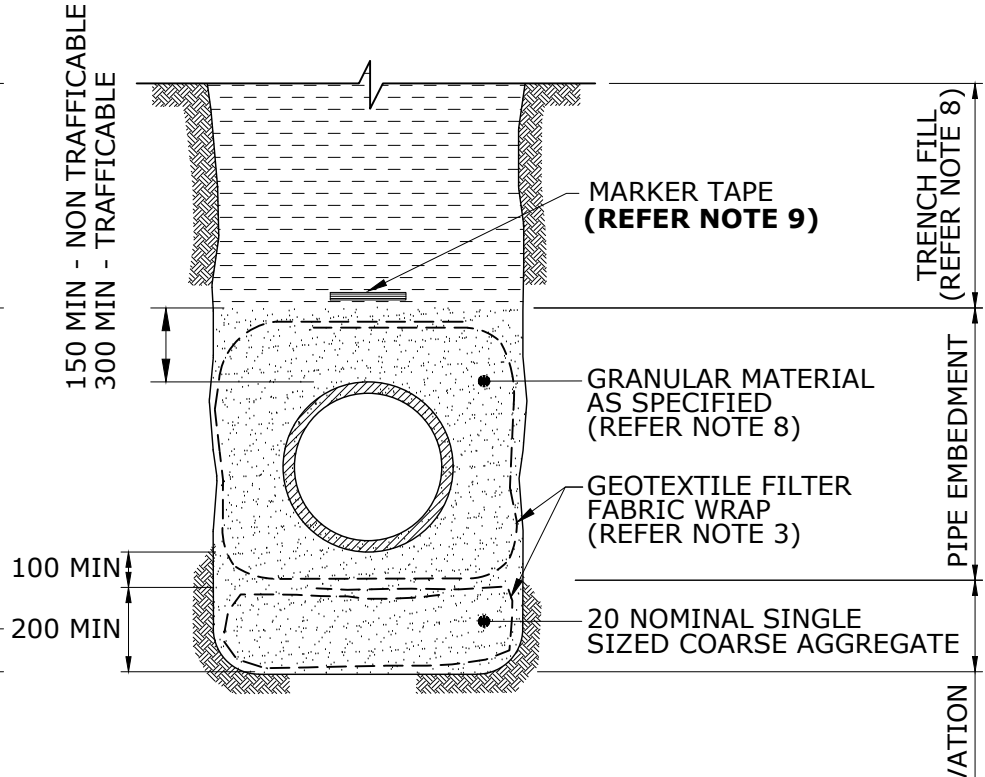


**TYPES E & F SUPPORT**

UTILISING CONCRETE FOUNDATION  
 NON-REINFORCED (TYPE E)  
 REINFORCED (TYPE F)  
 (RIGID & FLEXIBLE PIPES)  
 USE LIMITED TO 1 000 SPANS OF LOW  
 BEARING CAPACITY GROUND. (SOFT CLAYS  
 AND LOOSE SAND) LONGER LENGTHS  
 SUBJECT TO INDIVIDUAL ASSESSMENT.

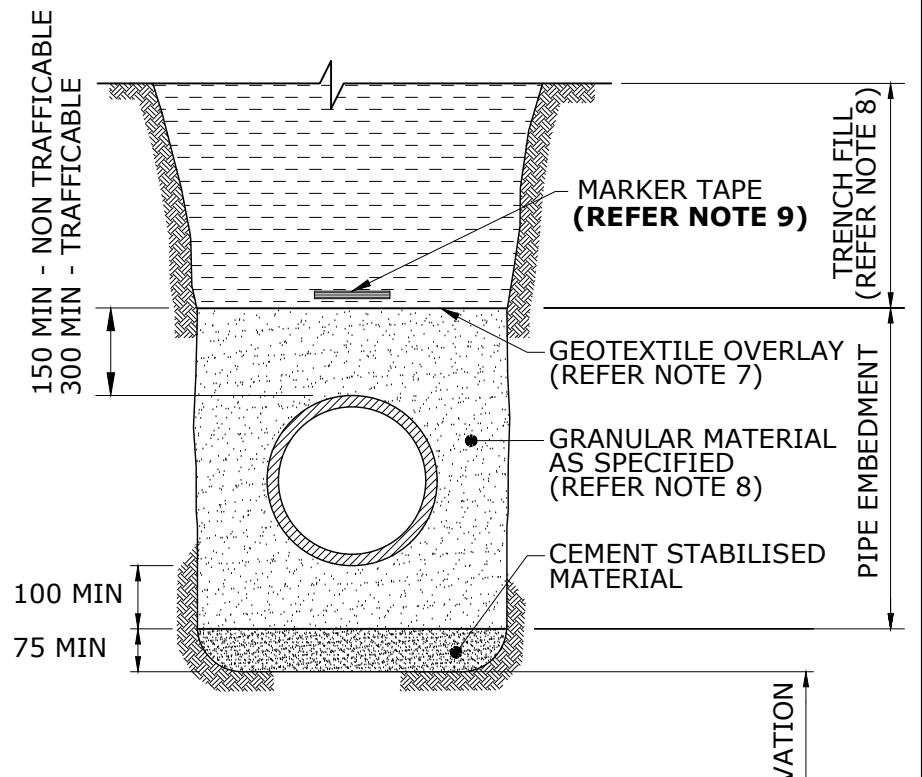
\* REFER NOTE 5  
 FOR TYPE 6  
 SUPPORT

EMBEDMENT TYPES TO BE SPECIFIED  
 IN DESIGN DRAWINGS



**TYPE G SUPPORT**

UTILISING GEOTEXTILE PILLOW FOUNDATION  
 (RIGID & FLEXIBLE PIPES)



**TYPE H SUPPORT**

UTILISING CEMENT STABILISED FOUNDATION  
 (RIGID & FLEXIBLE PIPES)

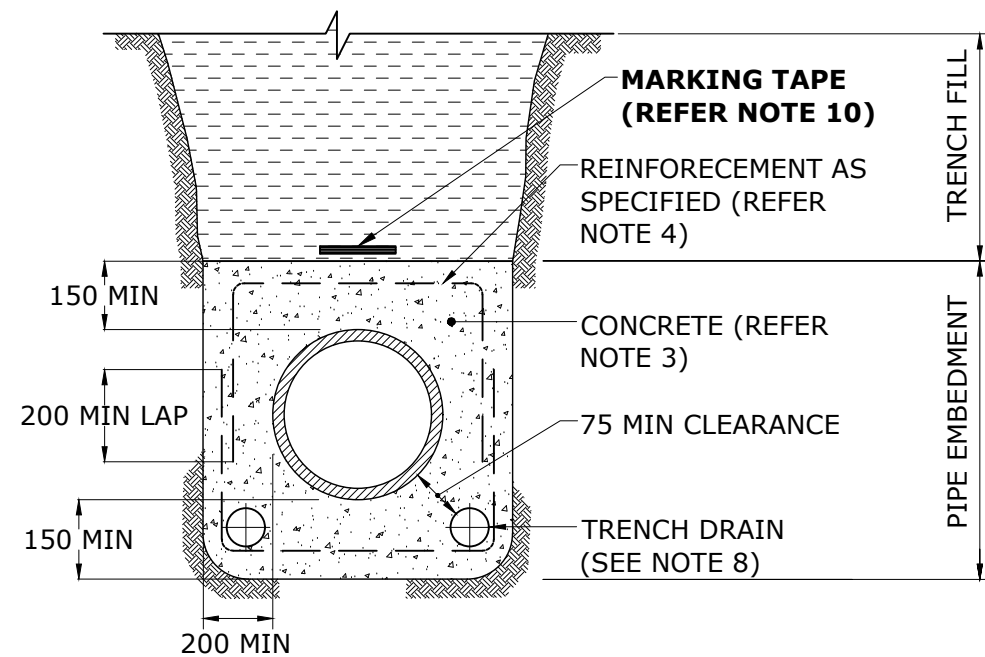
**NOTES**

1. ALL DIMENSIONS IN MILLIMETRES.
2. USE THESE SUPPORT TYPES ONLY WHERE SPECIFIED BY THE DESIGNER. DETAILS TO BE PROVIDED IN DESIGN DRAWINGS.
3. LAY GEOTEXTILE FILTER FABRIC AGAINST THE TRENCH FLOOR AND WALL SUCH THAT IT FULLY ENCASES THE FOUNDATION MATERIAL IN THE OVER EXCAVATION. EMBEDMENT (IF REQUIRED) ENCASE SEPARATELY. PROVIDE A MINIMUM OF 250 LAP AT ALL FILTER FABRIC JOINTS. REFER WBB-SEW-1201-1 FOR GEOTEXTILE SYSTEM DETAILS.
4. UNREINFORCED CONCRETE TO BE CLASS N20, AND REINFORCED CONCRETE N25. FOR AGGRESSIVE CONDITIONS USE SPECIAL CLASS CONCRETE.
5. MINIMUM STEEL REINFORCEMENT OF 0.4% OF CONCRETE CROSS SECTION PLACED CENTRALLY AND WITH 65 MINIMUM COVER TO EXTERNAL FACE. REINFORCEMENT DETAILS FOR THE APPLICABLE LOADING TO BE INCLUDED IN THE DESIGN DRAWINGS.
6. BEDDING TO BE DEEP ENOUGH TO ENSURE PIPE JOINT PROJECTIONS (SOCKETS, FLANGES) DO NOT TOUCH FOUNDATION.
7. GEOTEXTILE OVERLAY IS REQUIRED FOR AGGREGATE EMBEDMENT. (IE SINGLE SIZED GRANULAR FILL > 5 mm).
8. PURCHASE SPECIFICATIONS FOR TRENCH FILL & EMBEDMENT MATERIAL ARE DETAILED IN THE CODES ACCEPTED PRODUCTS AND MATERIALS LIST.
9. **DETECTABLE MARKER TAPE, REFER NOTE 10 ON WBB-WAT-1201-01.**

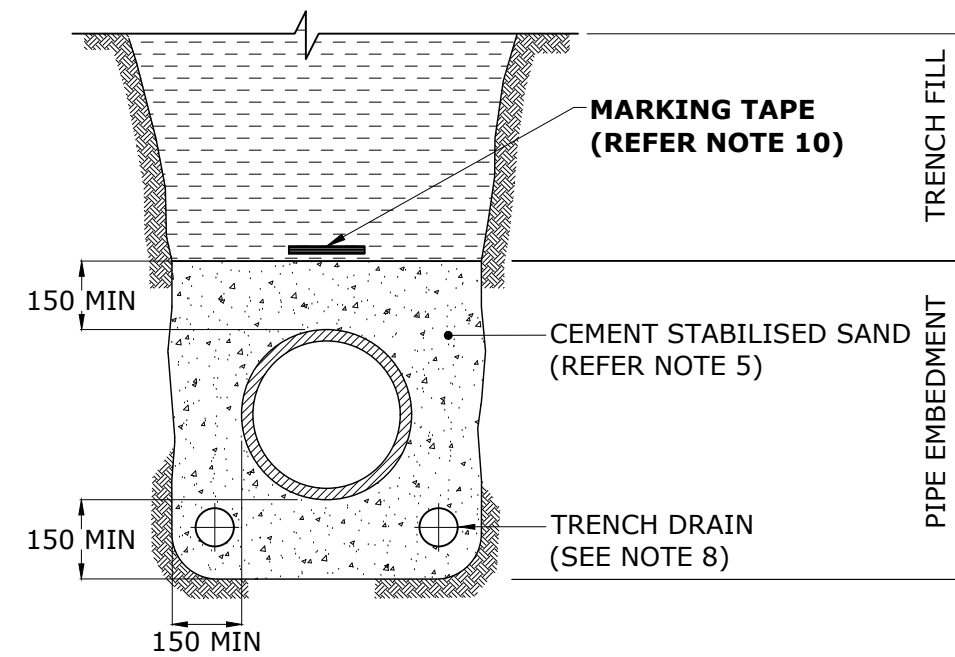
DELETED

REV. No.	DATE	DESCRIPTION	AUTH.	WBBROC WATER SERVICE PROVIDERS		WATER SUPPLY STANDARD DRAWING		BRC	FCRC	GRC	NBRC	SBRC
				WORK PRACTICES MUST COMPLY WITH ALL APPLICABLE OCCUPATIONAL HEALTH & SAFETY LEGISLATION		TYPICAL SPECIAL EMBEDMENT INADEQUATE FOUNDATIONS REQUIRING OVER EXCAVATION & REPLACEMENT		DRAWING No.				VERSION
			WBB-WAT-1202-1					A				
A		BASED ON SEQ-WAT-1201-1 VERSION A DATED 1/1/2013						NOT TO SCALE				ORG DATE:

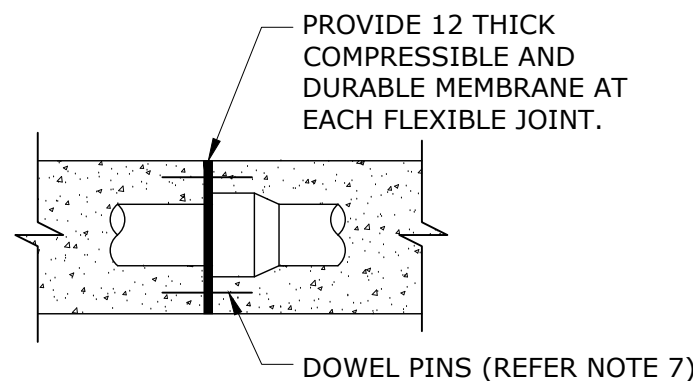




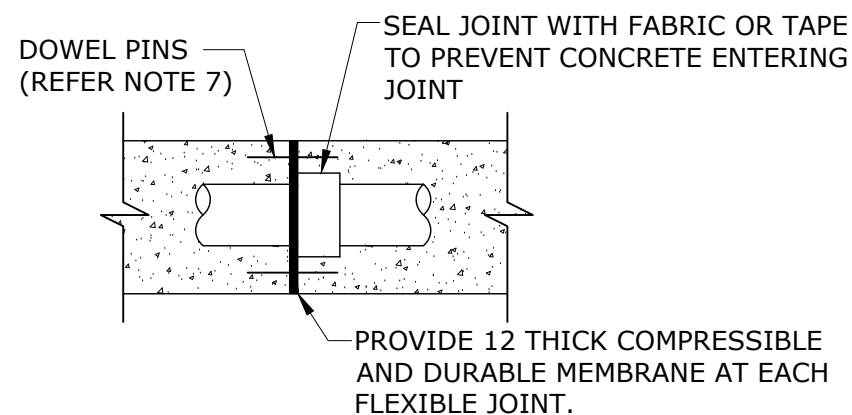
**TYPE I SUPPORT**  
**UTILISING CONCRETE EMBEDMENT**  
 (RIGID & FLEXIBLE PIPES)  
**NOT PREFERRED**



**TYPE J SUPPORT**  
**UTILISING CEMENT STABILISED EMBEDMENT**  
 (RIGID & FLEXIBLE PIPES)



**SPIGOT/SOCKET JOINT**



**SLEEVED COUPLING**

**CONCRETE ENCASEMENT JOINT DETAILS**  
**NOT PREFERRED**

**NOTES**

1. ALL DIMENSIONS IN MILLIMETRES.
2. USE THESE SUPPORT SYSTEMS WHERE SPECIFIED BY DESIGNER. DETAILS TO BE PROVIDED IN DESIGN DRAWINGS. REFER NOTE 9.
3. USE UNREINFORCED CONCRETE CLASS N20 MIN, AND REINFORCED CONCRETE N25 MIN. FOR AGGRESSIVE CONDITIONS USE SPECIAL CLASS CONCRETE. PLASTIC PIPES SHALL BE MARKED FOR THERMAL REVERSION.
4. WHERE SPECIFIED MINIMUM STEEL REINFORCEMENT OF 0.4 CONCRETE CROSS SECTION PLACED CENTRALLY AND WITH 65 MINIMUM COVER TO EXTERNAL FACE. SPECIFY REINFORCEMENT FOR THE APPLICABLE LOADING IN DESIGN DRAWINGS.
5. CEMENT STABILISED SAND OR WELL GRADED CRUSHED ROCK TO BE 25:1 SAND:CEMENT (PLACED DRY).
6. DURING THE ENCASEMENT PROCESS PIPES WILL REQUIRE A RESTRAINT SYSTEM TO PREVENT PIPE MOVEMENT AND/OR FLOTATION AND/OR THERMAL REVERSION.
7. PROVIDE GALVANISED DOWEL PINS, AS DETAILED IN DESIGN DRAWINGS AT EACH CONCRETE ENCASEMENT JOINT TO PREVENT PIPE DAMAGE.
8. SEE WBB-WAT-1210-1 FOR TRENCH DRAINAGE DETAILS.
9. THE USE OF TYPE I & J TO BE APPROVED BY WBBROC-SP.
10. **DETECTABLE MARKER TAPE, REFER NOTE 10 ON WBB-WAT-1201-1.**

EMBEDMENT TYPES TO BE SPECIFIED  
 IN DESIGN DRAWINGS

**DELETED**

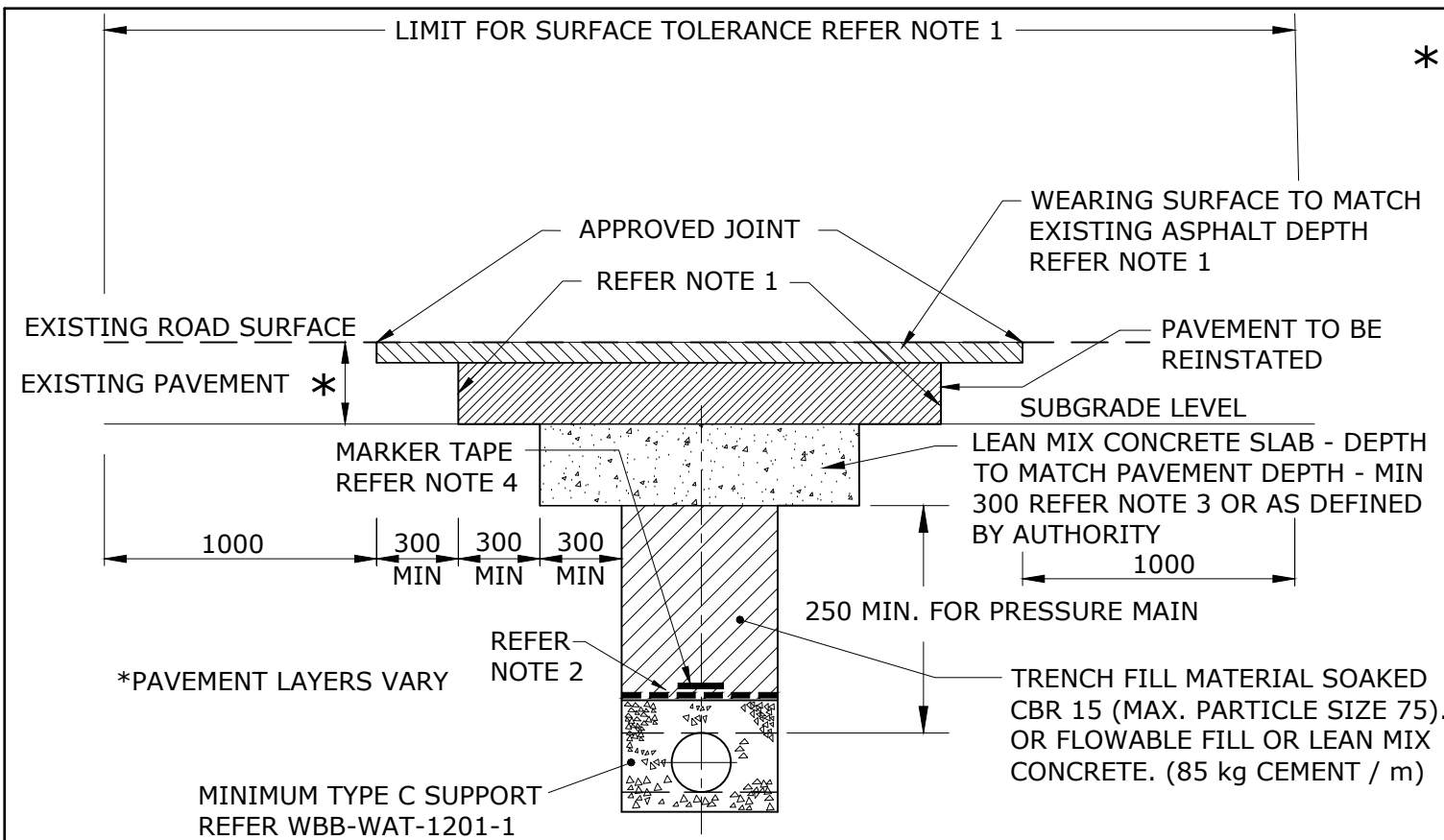
REV. No.	DATE	DESCRIPTION	AUTH.
A		BASED ON SEQ-WAT-1203-1 VERSION A DATED 1/1/2013	

**WBBROC WATER  
 SERVICE PROVIDERS**

WORK PRACTICES MUST COMPLY WITH ALL APPLICABLE  
 OCCUPATIONAL HEALTH & SAFETY LEGISLATION

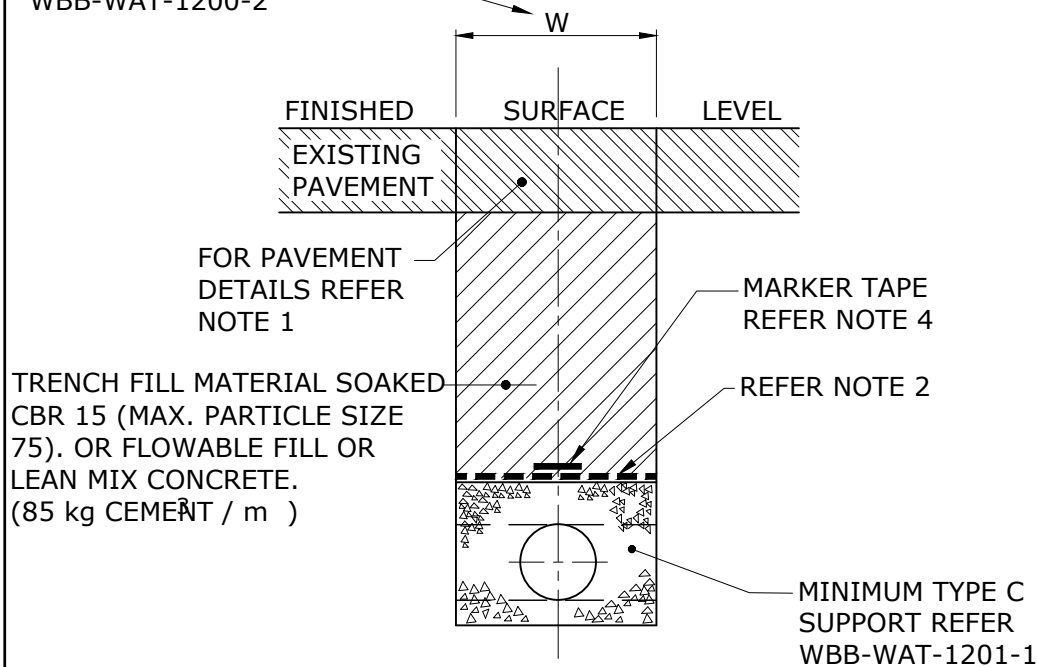
WATER SUPPLY STANDARD DRAWING  
 TYPICAL SPECIAL EMBEDMENT  
 CONCRETE & STABILISED EMBEDMENT  
 AND FLEXIBLE JOINT DETAILS

BRC	FCRC	GRC	NBRC	SBRC
DRAWING No.				VERSION
<b>WBB-WAT-1203-1</b>				<b>A</b>
NOT TO SCALE				ORG DATE:



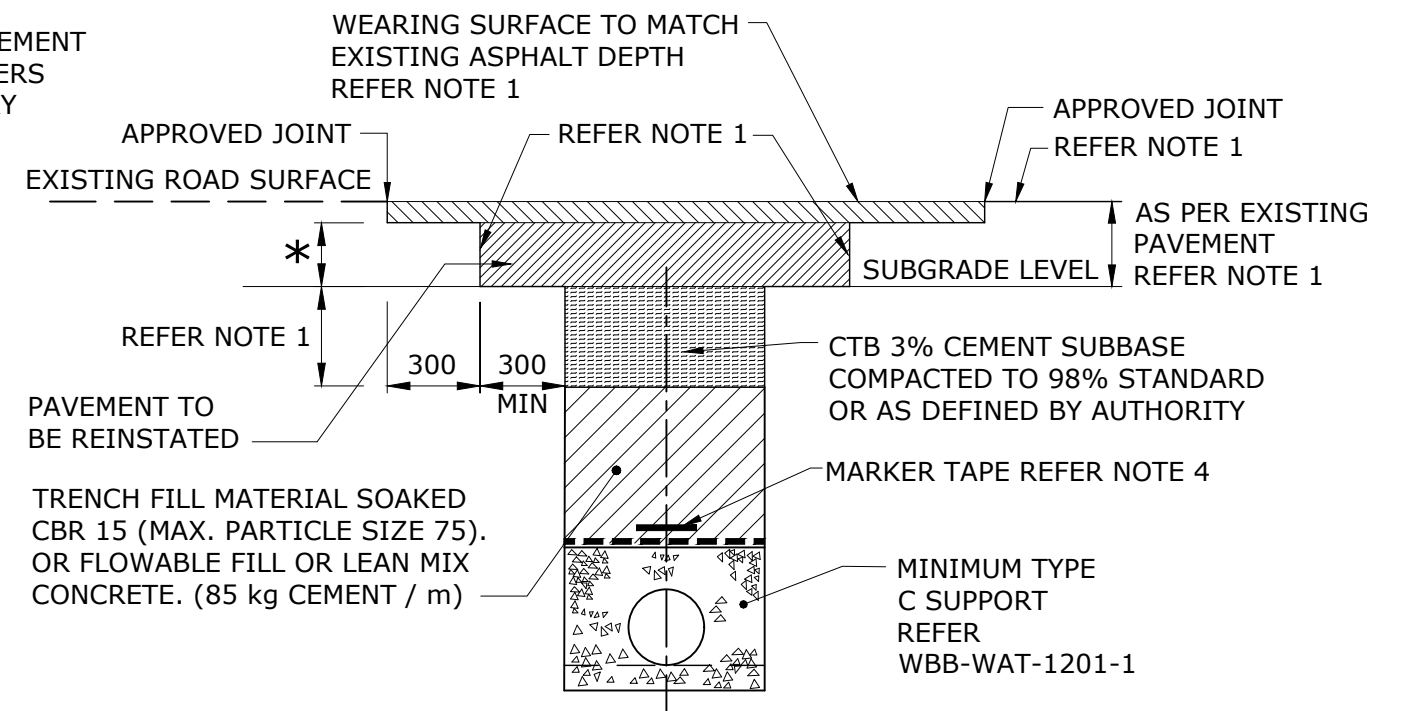
**TYPE L CONSTRUCTION  
CROSSING SEALED ROADS**

REFER WBB-WAT-1200-2

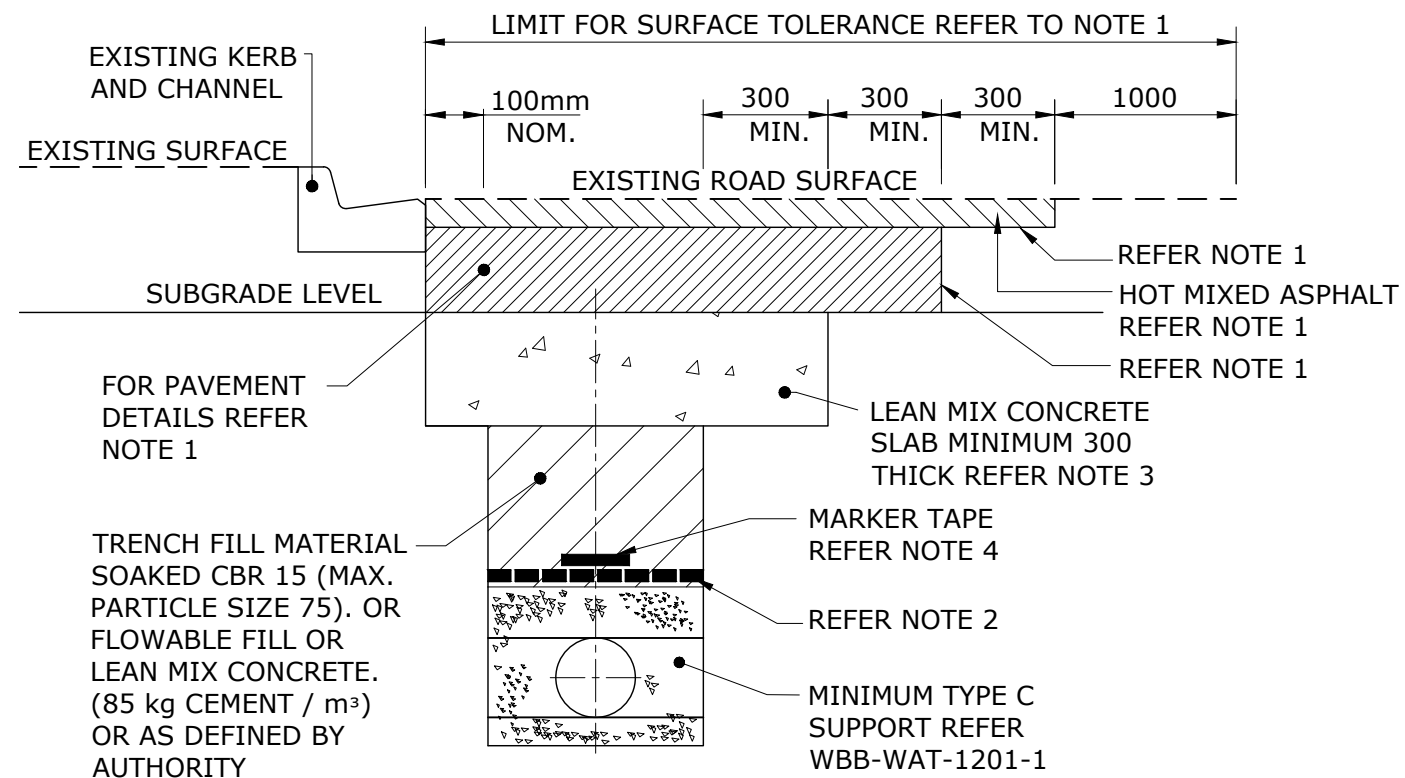


**TYPE K CONSTRUCTION  
ALONG UNSEALED ROAD SHOULDERS**

\* PAVEMENT LAYERS VARY



**TYPE M CONSTRUCTION  
ALONG SEALED ROAD**



**TRENCH TYPE N CONSTRUCTION  
ALONG SEALED ROAD ADJACENT TO KERB  
(REINSTATMENT TO AVOID EXISTING SUB-SOIL DRAINAGE SYSTEM)**

**NOTES**

1. FOR EXCAVATION, BEDDING AND BACKFILL REQUIREMENTS REFER CODES. FOR PAVEMENT AND WEARING SURFACE AND SUB-BASE OR SUBGRADE DETAILS REFER AUTHORITIES SPECIFICATION.
2. A GEOTEXTILE BARRIER SHALL BE PROVIDED AT THE INTERFACE OF EMBEDMENT ZONE AND THE TRENCH FILL ZONE.
3. THE SLAB USED IN TYPE L CONSTRUCTION SHALL BE GRADE N15 CONCRETE WITH ZERO SLUMP AND PLACED AND COMPACTED IN 100 THICK LAYERS.
4. THE ALIGNMENT OF ALL PIPES SHALL BE DEFINED BY A MARKER TAPE PLACED AS SHOWN AT TOP OF EMBEDMENT. THE TAPE SHALL CONTAIN A CONTINUOUS METAL STRIP AND BE COLOURED AND PROVIDED WITH A DESCRIPTION OF THE WATER PRODUCT WITHIN.
5. DIMENSIONS ARE IN MILLIMETRES UNLESS SHOWN OTHERWISE.

REV. No.	DATE	DESCRIPTION	AUTH.
A		BASED ON SEQ-WAT-1204-1 VERSION A DATED 1/1/2013	

**WBBROC WATER  
SERVICE PROVIDERS**

WORK PRACTICES MUST COMPLY WITH ALL APPLICABLE  
OCCUPATIONAL HEALTH & SAFETY LEGISLATION

WATER SUPPLY STANDARD DRAWING  
TYPICAL TRENCH AND BEDDING DETAILS  
WITHIN EXISTING ROADS  
TYPE K TO N

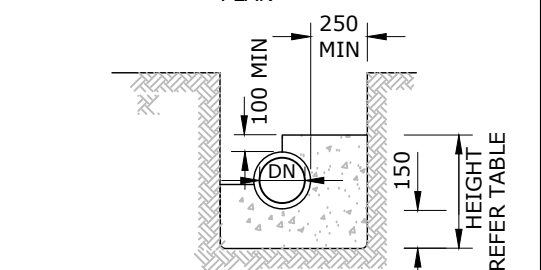
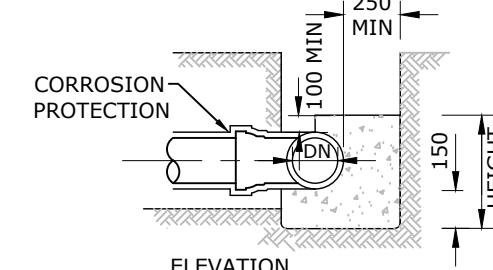
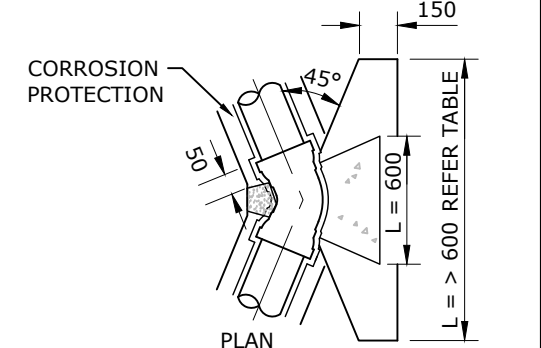
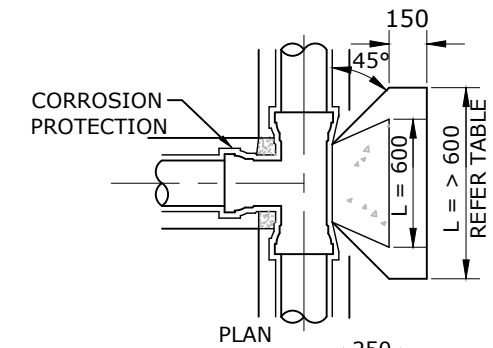
BRC	FCRC	GRC	NBRC	SBRC
DRAWING No.				VERSION
<b>WBB-WAT-1204-1</b>				<b>A</b>
NOT TO SCALE				ORG DATE:

**THRUST BLOCK LENGTH**

PIPE DN.	FITTING	MAX. THRUST IN KN	THRUST BLOCK HEIGHT	STIFF CLAY 50 KPa.	VERY STIFF CLAY SANDY LOAM 100KPa.	SAND & GRAVEL HARDCLAY 150KPa.	SAND & GRAVEL CEMENTED WITH CLAY 200KPa.	ROCK 240kPa
100	90° BEND	19.8	400	1000	●	●	●	●
	60° BEND	14.0		700	●	●	●	●
	45° BEND	10.7		●	●	●	●	●
	22.5° BEND	5.5		●	●	●	●	●
	11.25° BEND	2.7		●	●	●	●	●
	TEE OR CLOSED END	14.0		700	●	●	●	●
150	90° BEND	41.7	450	1860	930	●	●	●
	60° BEND	29.5		1320	660	●	●	●
	45° BEND	22.6		1000	●	●	●	●
	22.5° BEND	11.5		●	●	●	●	●
	11.25° BEND	5.8		●	●	●	●	●
	TEE OR CLOSED END	29.5		1300	660	●	●	●
200	90° BEND	71.7	550	*	1300	870	650	●
	60° BEND	50.7		1850	920	●	●	●
	45° BEND	38.8		1410	700	●	●	●
	22.5° BEND	19.8		720	●	●	●	●
	11.25° BEND	9.9		●	●	●	●	●
	TEE OR CLOSED END	50.7		1850	920	●	●	●
225	90° BEND	89.4	600	*	1500	1000	750	●
	60° BEND	63.2		2110	1060	700	●	●
	45° BEND	48.4		1620	810	●	●	●
	22.5° BEND	24.6		830	●	●	●	●
	11.25° BEND	12.4		●	●	●	●	●
	TEE OR CLOSED END	63.2		210	1060	700	●	●
250	90° BEND	109.0	650	*	1700	1120	840	700
	60° BEND	77.1		2400	1200	800	●	●
	45° BEND	59.0		1820	910	●	●	●
	22.5° BEND	30.1		930	●	●	●	●
	11.25° BEND	15.1		●	●	●	●	●
	TEE OR CLOSED END	77.1		2400	1200	800	●	●
300	90° BEND	158.6	700	*	2270	1510	1140	950
	60° BEND	112.2		*	1600	1070	800	670
	45° BEND	85.9		2453	1230	820	●	●
	22.5° BEND	43.8		1250	630	●	●	●
	11.25° BEND	22.0		630	●	●	●	●
	TEE OR CLOSED END	112.2		*	1600	1070	800	750

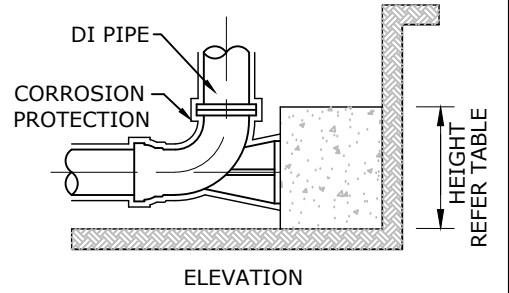
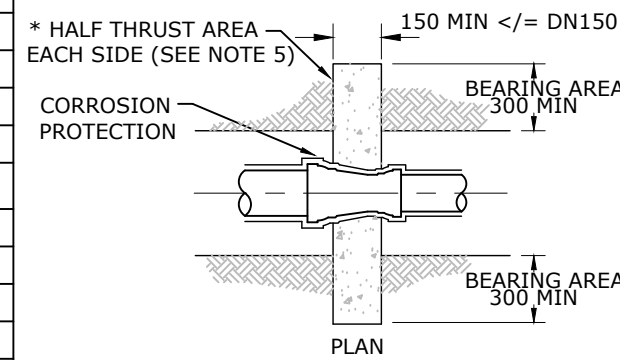
**THRUST BLOCK LENGTH**

PIPE DN.	FITTING	MAX. THRUST IN KN	THRUST BLOCK HEIGHT	STIFF CLAY 50 KPa.	VERY STIFF CLAY SANDY LOAM 100KPa.	SAND & GRAVEL HARDCLAY 150KPa.	SAND & GRAVEL CEMENTED WITH CLAY 200KPa.	ROCK 240kPa
375	90° BEND	241.9	800	*	*	2220	1510	1260
	60° BEND	171.0		*	2140	1430	1070	890
	45° BEND	130.9		*	1640	1090	820	680
	22.5° BEND	66.7		1670	840	●	●	●
	11.25° BEND	33.5		840	●	●	●	●
	TEE OR CLOSED END	171.0		*	2140	1430	1070	890
450	90° BEND	342.6	900	*	*	2540	1900	1590
	60° BEND	242.3		*	2690	1800	1350	1120
	45° BEND	185.4		*	2060	1375	1030	860
	22.5° BEND	94.5		2100	1050	700	●	●
	11.25° BEND	47.5		1060	●	●	●	●
	TEE OR CLOSED END	242.3		*	2690	1800	1350	1120
500	90° BEND	418	1000	*	*	2790	2090	1740
	60° BEND	295.6		*	1970	1480	1230	●
	45° BEND	226.2		*	2260	1510	1130	940
	22.5° BEND	115.3		2310	1150	770	●	●
	11.25° BEND	58.0		1160	●	●	●	●
	TEE OR CLOSED END	295.5		*	1970	1480	1230	●
600	90° BEND	593	1100	*	*	*	2700	2250
	60° BEND	419		*	2540	1910	1590	●
	45° BEND	320		*	2920	1950	1460	1220
	22.5° BEND	164		2980	1490	990	750	620
	11.25° BEND	82.2		1500	750	●	●	●
	TEE OR CLOSED END	419		*	2540	1910	1590	●
750	90° BEND	909	1300	*	*	*	*	2920
	60° BEND	643		*	2480	2060	●	●
	45° BEND	492		*	2530	1890	1580	●
	22.5° BEND	251		*	1930	1290	970	810
	11.25° BEND	126.1		1940	970	650	●	●
	TEE OR CLOSED END	643		*	2480	2060	●	●
900 (DN960 MSCL)	90° BEND	1,228	1500	*	*	*	*	3420
	60° BEND	868		*	2900	2420	●	●
	45° BEND	664		*	2960	2220	1850	●
	22.5° BEND	339		*	2260	1510	1130	940
	11.25° BEND	170		2270	1140	760	●	●
	TEE OR CLOSED END	868		*	3300	2650	●	●



**THRUST BLOCK FOR TEES**  
(FOR HORIZONTAL THRUST)

**THRUST BLOCK FOR BENDS**  
(FOR HORIZONTAL THRUST)



**TAPER THRUST BLOCK**  
(FOR HORIZONTAL THRUST)

**FLUSHING/WASHOUT BEND THRUST BLOCK**  
(FOR HORIZONTAL THRUST) (MINIMUM REQUIRED THRUST AREA AS PER TEE OR CLOSED END)

**NOTES**

- ALL DIMENSIONS IN MILLIMETRES UNLESS OTHERWISE SPECIFIED.
- CAST THE THRUST AREA OF ALL THRUST BLOCKS AGAINST A CLEAN FACE OF UNDISTURBED NATURAL SOIL. SOIL CLASSIFICATIONS USED ON THIS DRAWING ARE EXPLAINED IN WBB-WAT-1200-1. DO NOT USE STANDARD THRUST BLOCKS AS SPECIFIED IN THIS DRAWING IN SOILS WITH < 50 kPa BEARING CAPACITY EG;
  - VERY SOFT, SOFT OR FIRM CLAY.
  - LOOSE CLEAN SAND.
  - UNCOMPACTED FILL OR REFUSE.
 A GEOTECHNICAL ASSESSMENT AND INDIVIDUAL DESIGN IS REQUIRED FOR THESE SOILS.
- THRUST BLOCKS NOT TO INTERFERE WITH OTHER SERVICES OR BE LOCATED OUTSIDE THE WATER MAIN ALLOCATION WITHOUT WATER AGENCY APPROVAL.
- ALL CONCRETE GRADE N20. TABLE OF DIMENSIONS BASED ON REQUIRED TEST PRESSURE OF 1200 kPa AND ACTUAL DI CL PIPE DIAMETERS.
- THE MINIMUM THRUST AREA FOR TAPER THRUST BLOCKS TO BE EQUAL TO THE DIFFERENCE BETWEEN THE THRUST AREAS FOR TEES OR CLOSED ENDS OF EQUIVALENT DIAMETER TO THOSE EACH SIDE OF TAPER. THE DETAIL SHOWN IS FOR < OR = DN150 MAINS. FOR LARGER MAINS, THE TAPER THRUST BLOCK SHALL BE REINFORCED AND OF A SIZE AS SHOWN IN WBB-WAT-1206-1.
- FOR DOWNWARD VERTICAL THRUST, THE ALLOWABLE BEARING PRESSURES FOR VARIOUS SOILS MAY BE TAKEN AS TWICE THAT FOR HORIZONTAL THRUST SHOWN.
- WHEN POURING CONCRETE AGAINST FITTINGS PLACE A MEMBRANE OF POLYETHYLENE, PVC OR FELT BETWEEN THE FITTING AND CONCRETE TO PREVENT DAMAGE TO THE FITTING. PIPE JOINTS TO BE CLEAR OF CONCRETE.
- CONCRETE THRUST BLOCK ANCHORS FOR VALVES TO BE AS DETAILED ON WBB-WAT-1206-1.

**THRUST BLOCK DIMENSIONS - 1200kPa**  
● INDICATES BLOCK LENGTH OF 600  
\* = SPECIAL DESIGN

REV. No.	DATE	DESCRIPTION	AUTH.
A		BASED ON SEQ-WAT-1205-1 VERSION A DATED 1/1/2013	

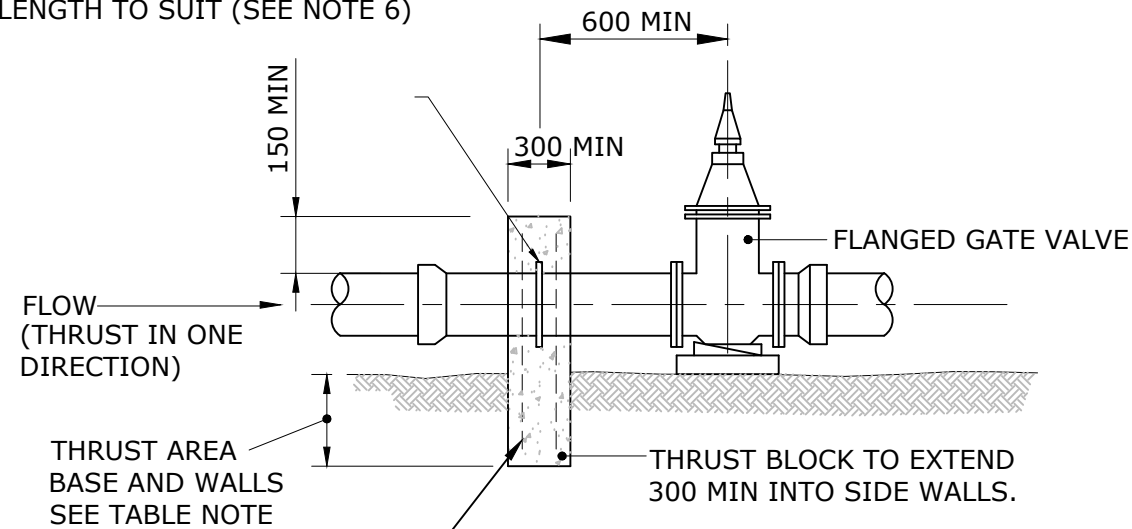
**WBBROC WATER SERVICE PROVIDERS**

WORK PRACTICES MUST COMPLY WITH ALL APPLICABLE OCCUPATIONAL HEALTH & SAFETY LEGISLATION

**WATER SUPPLY STANDARD DRAWING**  
**TYPICAL THRUST BLOCK DETAILS**  
**MASS CONCRETE**

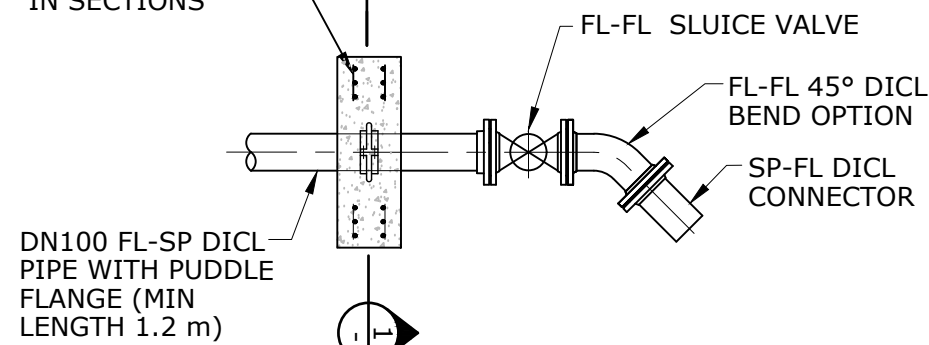
BRC	FCRC	GRC	NBRC	SBRC
DRAWING No.				VERSION
<b>WBB-WAT-1205-1</b>				<b>A</b>
NOT TO SCALE				ORG DATE:

THRUST IN BOTH DIRECTIONS  
USE PUDDLE FLANGE PIPE  
LENGTH TO SUIT (SEE NOTE 6)



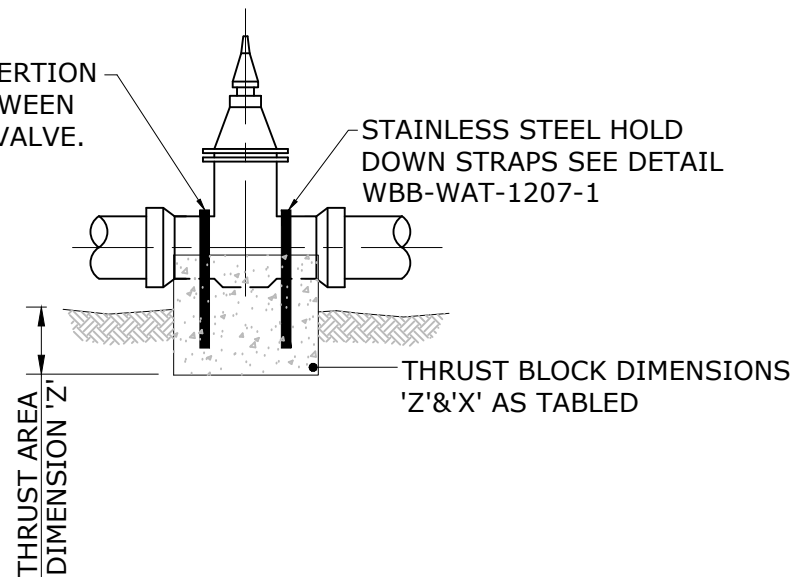
**FLANGED VALVES ALL SIZES**

REINFORCEMENT  
AS DETAILED  
IN SECTIONS



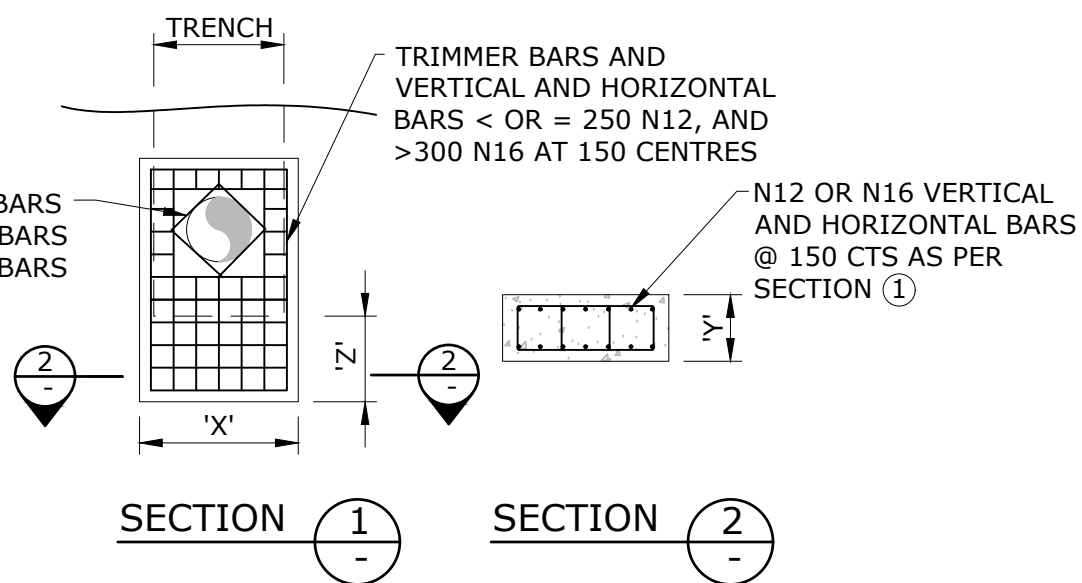
**FLANGED VALVE AND BEND  
FOR ALL PIPE SIZES**

3 THICK INSERTION  
RUBBER BETWEEN  
STRAP AND VALVE.



**SOCKETED VALVES ≤ DN375**

(ALTERNATIVE TYCO ANCHOR  
LEGS x 2 ACCEPTED FOR USE)



**NOTES**

1. ALL DIMENSIONS IN MILLIMETRES UNLESS OTHERWISE SHOWN.
2. ANCHOR BLOCKS IN THE TABLE ARE DESIGNED FOR A TEST PRESSURE OF 1200 kPa (122 m HEAD).
3. WHERE DI PIPES AND FITTINGS WITH RESTRAINED JOINTS ARE USED THRUST BLOCKS MAY NOT BE REQUIRED. SEE WBB-WAT-1208.
4. THRUST BLOCK REINFORCEMENT AS SPECIFIED ABOVE OR AS IN DESIGN DRAWINGS.
5. PROVIDE CONCRETE THRUST BLOCKS FOR VALVES. THRUST AREA TO BE AS SHOWN WITH NUTS AND BOLTS TO BE ACCESSIBLE ON FLANGES.
6. INSTALL PUDDLE FLANGES ON FLANGE CLASS DICL PIPE BY A MACHINED GROOVE.

MINIMUM BLOCK DIMENSIONS FOR THE ANCHORAGE OF THE IN-LINE THRUST			
IN LINE BLOCK FOR TEST PRESSURE OF 1200 kPa SOIL ALLOWABLE HORIZONTAL BEARING PRESSURE IN kPa OF 50, 100 OR 150 LISTED (SEE NOTES)			
PIPE DN	BEARING AREA M <sup>2</sup>		
	SOFT CLAY 50kPa	MEDIUM CLAY SANDY LOAM 100kPa	SAND & GRAVEL HARD CLAY 150kPa
100	15.8 KN THRUST		
X	450	450	450
Y	300	300	300
Z	700	500	500
150	33.3 KN THRUST		
X	800	500	450
Y	300	300	300
Z	850	700	500
200	57.1 KN THRUST		
X	800	700	600
Y	300	300	300
Z	1400	800	650
225	71.2 KN THRUST		
X	900	800	700
Y	400	400	400
Z	1600	900	700
250	86.7 KN THRUST		
X	1000	850	700
Y	400	400	400
Z	1750	1000	800
300	124.0 KN THRUST		
X	1400	900	800
Y	500	500	500
Z	1800	1400	1000
375	189.0 KN THRUST		
X	1600	1100	900
Y	600	600	600
Z	2350	1750	1400

- LARGER THAN DN375 INDIVIDUAL DETAILED DESIGN IS REQUIRED. DESIGNER TO NOMINATE X, Y, Z DIMENSIONS TO SUIT LOCATION.
- BLOCK WIDTHS 'X' SHOULD BE WITHIN THE ALLOCATION, GENERALLY 800 mm WIDE. WIDER BLOCKS WILL REQUIRE REDESIGN OF ADJOINING SERVICES.
- BEARING AREA TO BE PREDOMINANTLY BELOW BEDDING ZONE

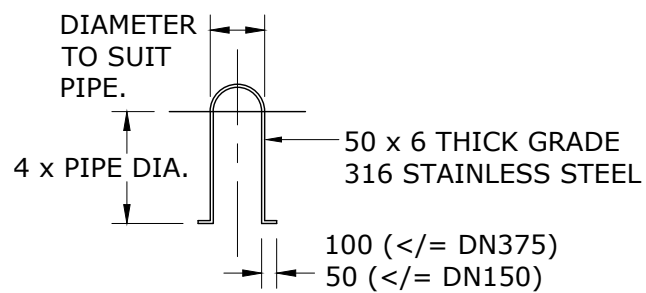
REV. No.	DATE	DESCRIPTION	AUTH.
A		BASED ON SEQ-WAT-1206-1 VERSION A DATED 1/1/2013	

**WBBROC WATER  
SERVICE PROVIDERS**

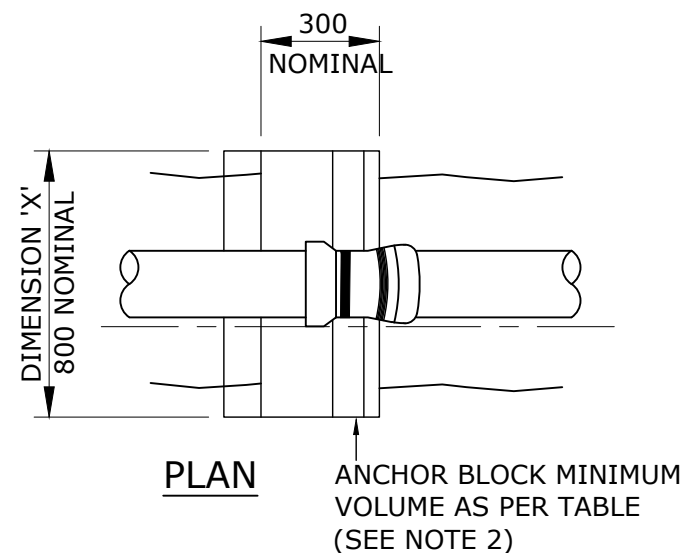
WORK PRACTICES MUST COMPLY WITH ALL APPLICABLE  
OCCUPATIONAL HEALTH & SAFETY LEGISLATION

WATER SUPPLY STANDARD DRAWING  
TYPICAL THRUST AND ANCHOR BLOCKS  
FOR VALVES

BRC	FCRC	GRC	NBRC	SBRC
DRAWING No.				VERSION
<b>WBB-WAT-1206-1</b>				<b>A</b>
NOT TO SCALE				ORG DATE:

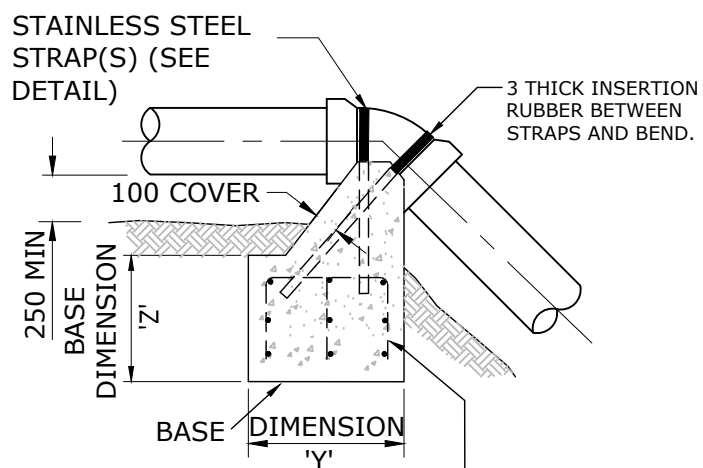


**TYPICAL SS STRAP**



**PLAN**

ANCHOR BLOCK MINIMUM VOLUME AS PER TABLE (SEE NOTE 2)



**ELEVATION VERTICAL BENDS**

>= DN200 REFER REINFORCING DETAILS FOR IN-LINE BLOCK ON WBB-WAT-1206-1  
< DN200 REINFORCING NOT REQUIRED REFER NOTE 6

**MINIMUM BLOCK VOLUME FOR ANCHORAGE OF VERTICAL COMPONENT OF THRUST**

PIPE DN	TYPICAL PIPE OD	CONCRETE MASS/VOLUME M <sup>3</sup>		
		11.25° BEND	22.5° BEND	45° BEND
100	122	0.13	0.26	0.47
DIMENSIONS X, Y, Z		800, 400, 450	800, 400, 800	800, 600, 1000
150	177	0.28	0.54	1.00
X, Y, Z		800, 400, 800	800, 800, 850	800, 1000, 1250
200	232	0.47	0.93	1.72
X, Y, Z		800, 400, 800	800, 800, 850	800, 1000, 1250
225	259	0.59	1.16	2.14
X, Y, Z		800, 400, 800	800, 800, 850	800, 1000, 1250
250	286	0.72	1.41	2.61
X, Y, Z		800, 400, 800	800, 800, 850	800, 1000, 1250
300	345	1.05	2.05	3.79
X, Y, Z		800, 400, 800	800, 800, 850	800, 1000, 1250
375	426	1.60	3.13	5.78
X, Y, Z		800, 400, 800	800, 800, 850	800, 1000, 1250

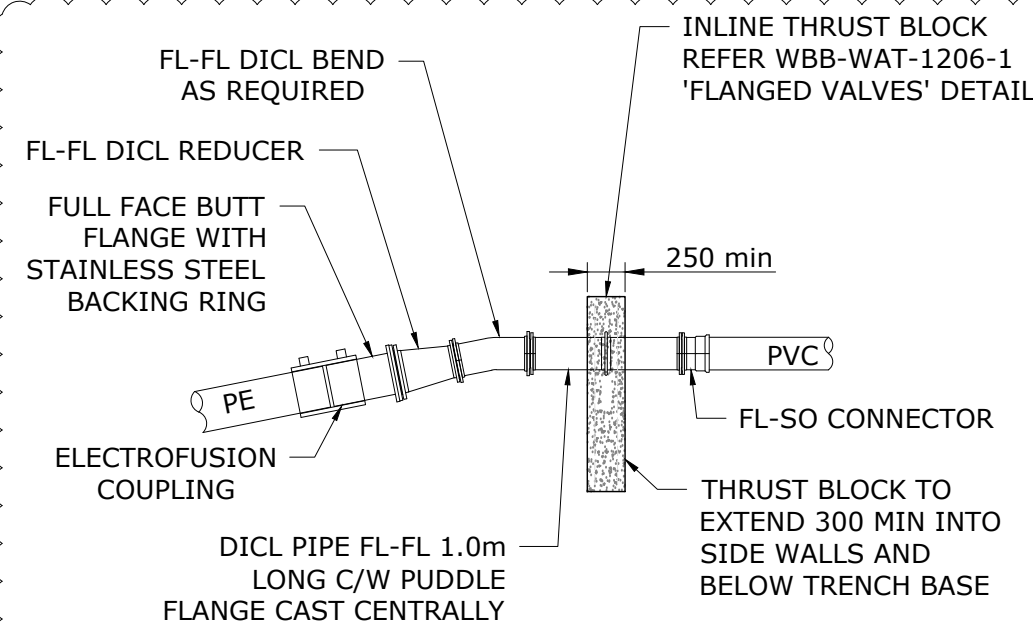
- LARGER THAN DN375, INDIVIDUAL DETAILED DESIGN IS REQUIRED.
- LARGER THAN DN150, DESIGNER TO NOMINATE X, Y, Z DIMENSIONS TO SUIT LOCATION

CALCULATION FOR BLOCK MASS IS :-

$$M^3 = (Sf \times P \times A \times \sin\theta \times 1000) \div (Wm \times 9.8)$$

Sf = SAFETY FACTOR OF 1.0  
P = TEST PRESSURE  
A = AREA OF PIPE ACTUAL OD ( m<sup>2</sup> )  
θ = BEND ANGLE  
Wm = DENSITY OF CONCRETE ( 2400kg + m<sup>3</sup> )  
IN CALCULATING THE CONCRETE MASS, NO CONTRIBUTION FROM THE PIPELINE SELF WEIGHT OR BACKFILL OR EMBEDMENT HAS BEEN INCLUDED.

BLOCK WIDTHS " X " SHOULD BE WITHIN THE ALLOCATION, GENERALLY 800mm WIDE



**TYPICAL PVC TO PE CONNECTION**  
ELEVATION DETAIL - NOT TO SCALE

**NOTES:**  
THRUST BLOCKS MUST MEET MINIMUM DIMENSIONAL REQUIREMENTS AS SPECIFIED IN CONNECTION DETAIL AS WELL AS MINIMUM VOLUME REQUIREMENTS SPECIFIED IN WSA 02-2002 DRAWING NO. WSA1207

**COMPONENT SIZES WITH SIMILAR INTERNAL DIAMETERS**

PVC-O PN16	HDPE100 PN16			HDPE100 PN20		
	NOMINAL DIAMETER	SS BACKING RING	DICL TAPER	NOMINAL DIAMETER	SS BACKING RING	DICL TAPER
DN100	DN140	140x125	100x125	DN160	160x150	150x100
DN150	DN200	200x200	200x150	DN225	225x200	200x150
DN200	DN280	280x250	250x200	DN280	280x250	250x200
DN250	DN355	355x300	300x250	DN355	355x300	300x250
DN300	DN400	400x375	375x300	DN450	450x450	450x300
DN375	DN500	500x500	500x375	DN500	500x500	500x375

**VERTICAL BEND ANCHOR BLOCK CONSTRUCTION NOTES**

- LOCATE ANCHOR BLOCK CENTRALLY AROUND BEND AND KEY ANCHOR BLOCK INTO BASE OF TRENCH A MINIMUM DEPTH OF 250 mm (DIMENSION Z).
- POUR BASE CONCRETE AGAINST A SOLID EXCAVATION FACE.
- USE GRADE N20 CONCRETE.
- KEEP CONCRETE CLEAR OF ALL BOLTS, NUTS AND PIPE JOINTS.
- DESIGN OF ANCHOR BLOCKS AT VERTICAL BENDS INCLUDE ALLOWANCE FOR THE HORIZONTAL COMPONENT OF THRUST
- DESIGN PLANS TO DETAIL REINFORCING STEEL.
- ANCHOR BLOCKS IN THE TABLE ARE DESIGNED FOR A TEST PRESSURE OF 1200 kPa (122 m HEAD).
- FOR DOWNWARD VERTICAL THRUST, THE ALLOWABLE BEARING PRESSURE FOR VARIOUS SOILS MAY BE TAKEN AS TWICE THAT FOR HORIZONTAL THRUST AS SHOWN IN WBB-WAT-1205-1

REV. No.	DATE	DESCRIPTION	AUTH.
A		BASED ON SEQ-WAT-1207-1 VERSION A DATED 1/1/2013	

**WBBROC WATER SERVICE PROVIDERS**

WORK PRACTICES MUST COMPLY WITH ALL APPLICABLE OCCUPATIONAL HEALTH & SAFETY LEGISLATION

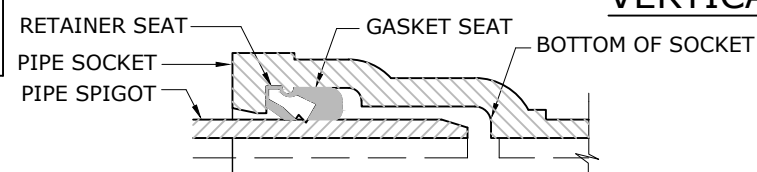
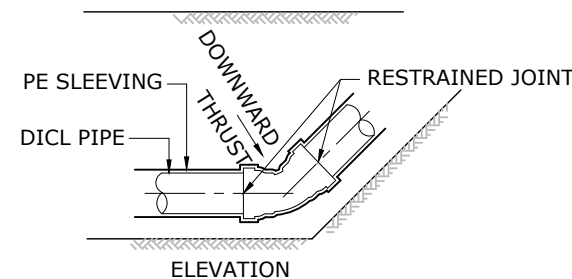
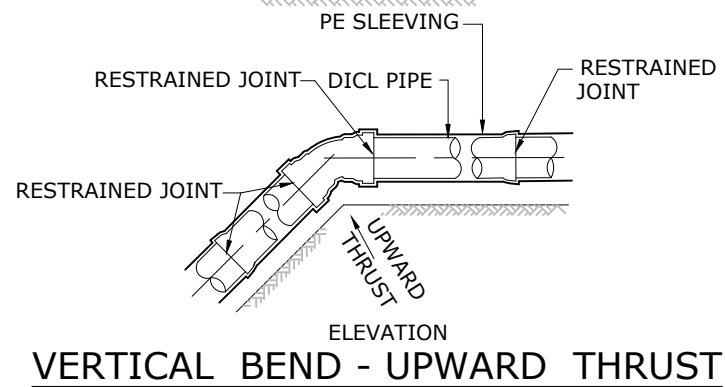
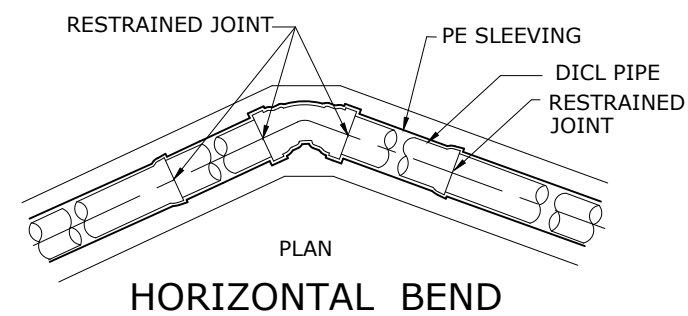
WATER SUPPLY STANDARD DRAWING  
TYPICAL THRUST AND ANCHOR BLOCKS FOR VERTICAL BENDS

BRC	FCRC	GRC	NBRC	SBRC
DRAWING No.				VERSION
<b>WBB-WAT-1207-1</b>				<b>A</b>
NOT TO SCALE				ORG DATE:

DN	BENDS (SEE NOTE 3)										DEAD ENDS (m)
	HORIZONTAL				VERTICAL						
	11 1/4° (m)	22 1/2° (m)	45° (m)	90° (m)	UPWARD THRUST			DOWNWARD THRUST			
100	0.8	1.6	3.4	8.1	2.4	4.9	10.2	0.8	1.6	3.4	24.7
150	1.1	2.2	4.6	11.2	3.4	6.9	14.4	1.1	2.2	4.6	34.7
200	1.4	2.8	5.9	14.2	4.4	8.8	18.4	1.4	2.8	5.9	44.4
250	1.6	3.1	6.5	15.8	4.9	9.8	20.5	1.6	3.1	6.5	49.4
300	1.8	3.7	7.7	18.5	5.8	11.7	24.4	1.8	3.7	7.7	58.9

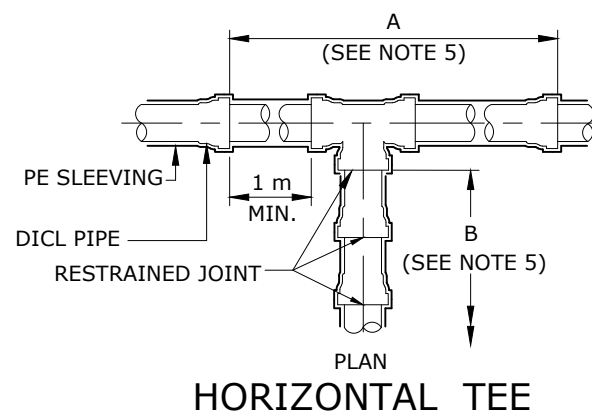
TEES (SEE NOTE 5)				
MAIN PIPE DN	BRANCH PIPE DN	MIN. DISTANCE BETWEEN JOINTS 'A'		
		2 m RESTRAINED LENGTH 'B' (m)	5.5 m RESTRAINED LENGTH 'B' (m)	11 m RESTRAINED LENGTH 'B' (m)
100	100	20.6	13.4	2.2
	150	17.4	7.0	0.2
150	100	30.5	23.2	11.6
	150	14.8	1.1	0.2
200	100	28.0	18.4	3.3
	150	40.2	32.8	21.1
250	100	10.6	0.2	0.2
	150	23.1	11.3	0.2
300	200	34.5	25.3	10.9
	250	45.1	37.6	25.8
375	100	8.0	0.2	0.2
	150	20.9	6.6	0.2
375	200	32.2	21.2	3.8
	250	42.8	33.7	19.5
375	300	54.6	46.9	34.9
	300	REFER TO MANUFACTURER		

TAPERS (SEE NOTE 6)			
LARGE PIPE DN	SMALL PIPE DN	MIN. LENGTH OF SMALL PIPE FOR ONE RESTRAINT (m)	MIN. LENGTH OF LARGE PIPE FOR FULL RESTRAINT (m)
150	100	25.8	18.2
200	100	59.1	32.2
200	150	24.0	18.6
250	100	91.0	40.4
250	150	48.2	30.5
250	200	20.6	16.9
300	100	137.6	51.6
300	150	81.3	43.4
300	200	46.7	32.3
300	250	21.8	18.4
375	100	REFER TO MANUFACTURER	
375	150	REFER TO MANUFACTURER	
375	200	REFER TO MANUFACTURER	
375	250	REFER TO MANUFACTURER	
375	300	REFER TO MANUFACTURER	



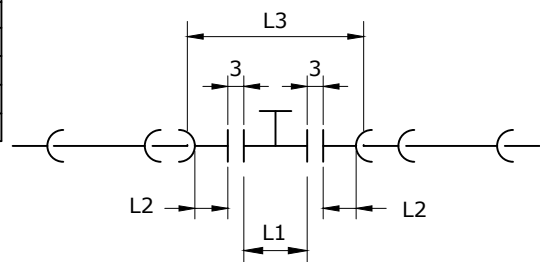
RESTRAINED JOINT SYSTEM

VERTICAL BEND - DOWNWARD THRUST



HORIZONTAL TEE

DN	RESTRAINED CUT-IN		
	INSERT L1	CONNECTOR L2	OVERALL L3
100	356	110	582
150	406	135	682
200	484	135	760
250	534	155	850
300	610	170	956
375	REFER MANUFACTURER		



RESTRAINED CUT-IN

FOR "TYTON-LOK" RESTRAINED JOINT SYSTEM, REFER TO PRODUCT LIMITATIONS.

NOTES

- ALL DIMENSIONS IN MILLIMETRES UNLESS OTHERWISE NOTED.
- ALL RESTRAINED LENGTHS ARE APPLICABLE FOR BURIED PIPELINES ONLY. THE MINIMUM OF PIPELINE REQUIRED TO BE RESTRAINED IS CALCULATED FROM THE PIPE DIAMETER, FITTING TYPE, STANDARD TRENCH CONDITIONS AND A PIPELINE PRESSURE OF 122 m. WHERE RESTRAINED JOINTS ARE USED, REDUCE TEST PRESSURE TO 1196kPa.
- THE LENGTH OF RESTRAINT REQUIRED IS THE AMOUNT OF PIPELINE THAT MUST BE RESTRAINED EITHER SIDE OF THE FITTING, INCLUDING THE FITTING JOINTS.
- SPECIAL CONSIDERATION IS REQUIRED IF THE DESIGNATED RESTRAINED LENGTH FOR A FITTING ENCLOSES, OR OVERLAPS THE DESIGNATED RESTRAINED LENGTH FOR ANOTHER FITTING. SEEK MANUFACTURER'S OR DESIGNER'S GUIDANCE.
- THE LENGTH OF RESTRAINT REQUIRED FOR TEES APPLIES TO 'B' (BRANCH) ONLY. THE MINIMUM DISTANCE 'A' BETWEEN JOINTS IS THE MINIMUM DISTANCE BETWEEN THE NEAREST UNRESTRAINED JOINT EITHER SIDE OF THE TEE, NOT INCLUDING THE TEE. RESTRAINT IS NOT REQUIRED IN THE MAIN LINE SOCKETS OR MECHANICAL COUPLINGS, UNLESS ENCLOSED (SEE NOTE 4). HYDRANT TEES AND OTHER NON-THRUST BEARING FITTINGS DO NOT REQUIRE RESTRAINT.
- FOR TAPERS, IF THE MINIMUM LENGTH OF THE ADJACENT SMALL PIPE SIZE OCCURS, WITHOUT ENCLOSED ANOTHER FITTING'S RESTRAINT, THEN ONLY ONE RESTRAINED JOINT IS REQUIRED IN THE LARGE SOCKET OF THE TAPER. IF THE MINIMUM LENGTH OF SMALL PIPE DOES NOT OCCUR THEN, FULL RESTRAINT IS REQUIRED.
- TREAT FLUSHING BENDS AS A DEAD END.
- SPECIAL DESIGN REQUIRED FOR 90 DEGREE VERTICAL BENDS.
- PLACE MARKING TAPE FOR IDENTIFICATION OF RESTRAINED SECTIONS OF THE PIPELINE ALONG THE TOP OF THE RESTRAINED PIPE LENGTHS AND FASTEN TO THE PIPE AT NOT LESS THAN 3 m CENTRES. MARKING TAPE TO BE PINK COLOURED POLYETHYLENE TAPE APPROXIMATELY 100 WIDE, WITH THE INSCRIPTION: 'WARNING - RESTRAINED PIPELINE - USE RESTRAINED FITTINGS ONLY'.
- WHEN MAINTAINING OR CUTTING RESTRAINED SECTIONS OF PIPELINE IT IS ADVISABLE THAT EFFECTIVE LENGTHS OF FITTINGS BE MEASURED ON SITE TO CONFIRM THEIR COMPLIANCE WITH THIS DRAWING.
- RESTRAINED JOINTS MAY BE ASSUMED TO ACT THE SAME AS A FLANGED JOINT.
- ONLY USE PIPE AND FITTINGS APPROVED FOR USE WITH RESTRAINT GASKET.

ASSEMBLY

- JOINTING TO BE IN ACCORDANCE WITH THE MANUFACTURER'S INSTRUCTIONS.
- RESTRAINT VIA LOCKING GASKETS IS ONLY TO BE USED WITH DI PIPES AND FITTINGS FEATURING THE AUTHORISED SOCKET PROFILE. DO NOT USE WITH OTHER DI SOCKET PROFILES OR OTHER PIPE MATERIALS.
- IF MAXIMUM JOINT DEFLECTION IS DESIRED, PUSH THE SPIGOT TO THE FIRST WITNESS MARK ONLY AND THEN DEFLECT THE JOINT. THE JOINT WILL NOT DEFLECT AFTER INSERTING THE SPIGOT ALL THE WAY HOME.

DISASSEMBLY

- JOINTS TO BE DISASSEMBLED IN ACCORDANCE WITH THE MANUFACTURER'S RECOMMENDATIONS.
- DO NOT REUSE RESTRAINED JOINT GASKETS.

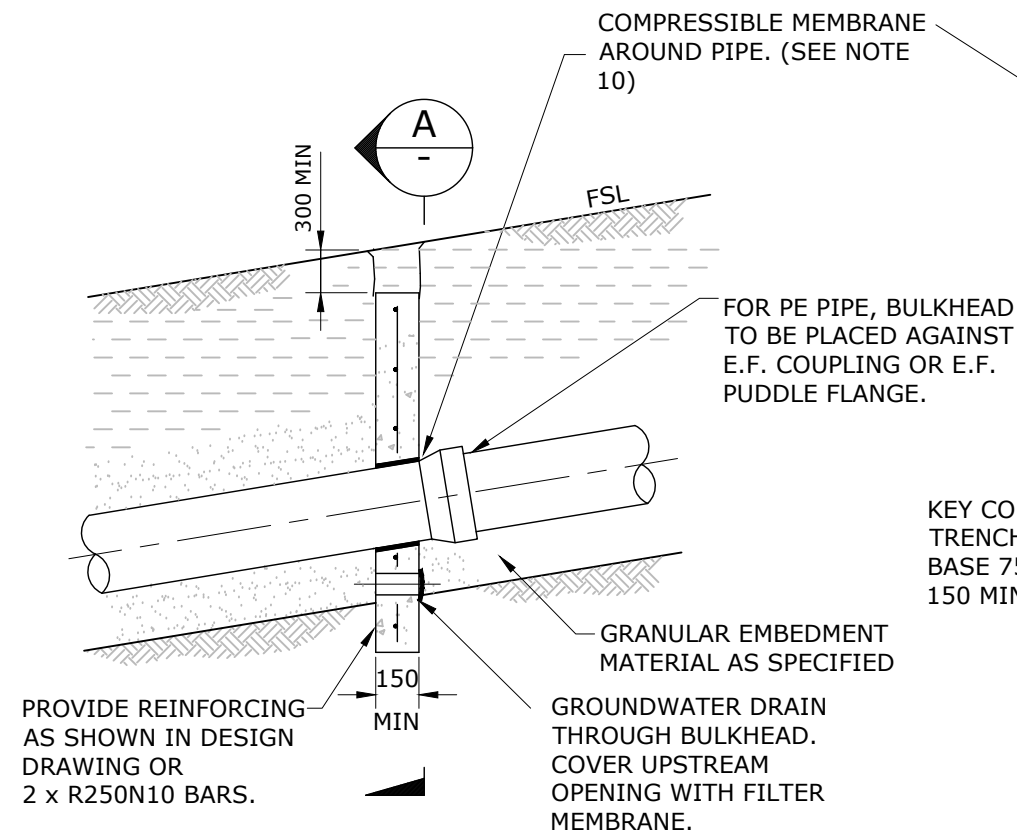
REV. No.	DATE	DESCRIPTION	AUTH.
A		BASED ON SEQ-WAT-1208-1 VERSION A DATED 1/1/2013	

WBBROC WATER SERVICE PROVIDERS

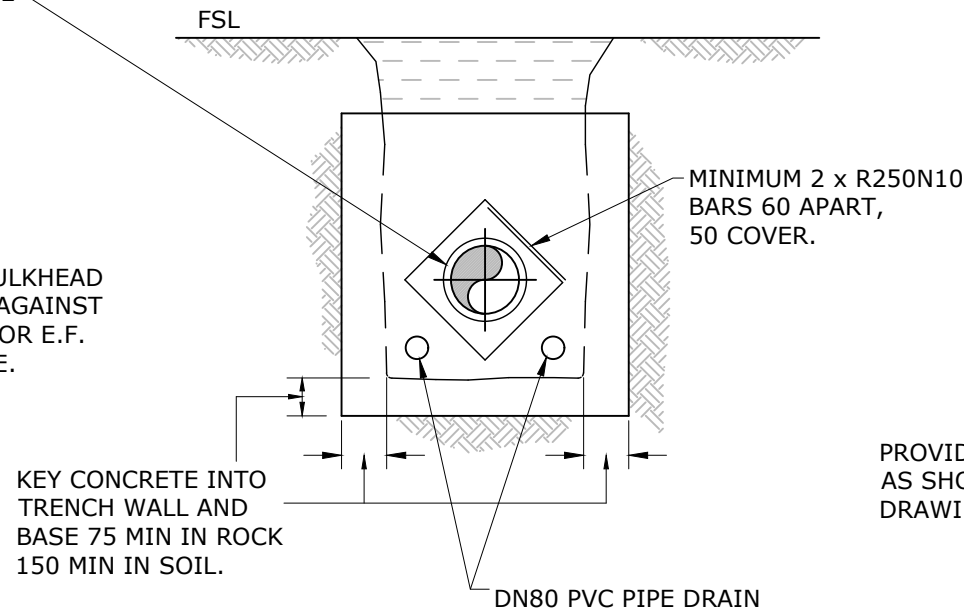
WORK PRACTICES MUST COMPLY WITH ALL APPLICABLE OCCUPATIONAL HEALTH & SAFETY LEGISLATION

WATER SUPPLY STANDARD DRAWING  
TYPICAL RESTRAINED JOINT SYSTEM  
DN 100 TO DN 375 DI MAINS

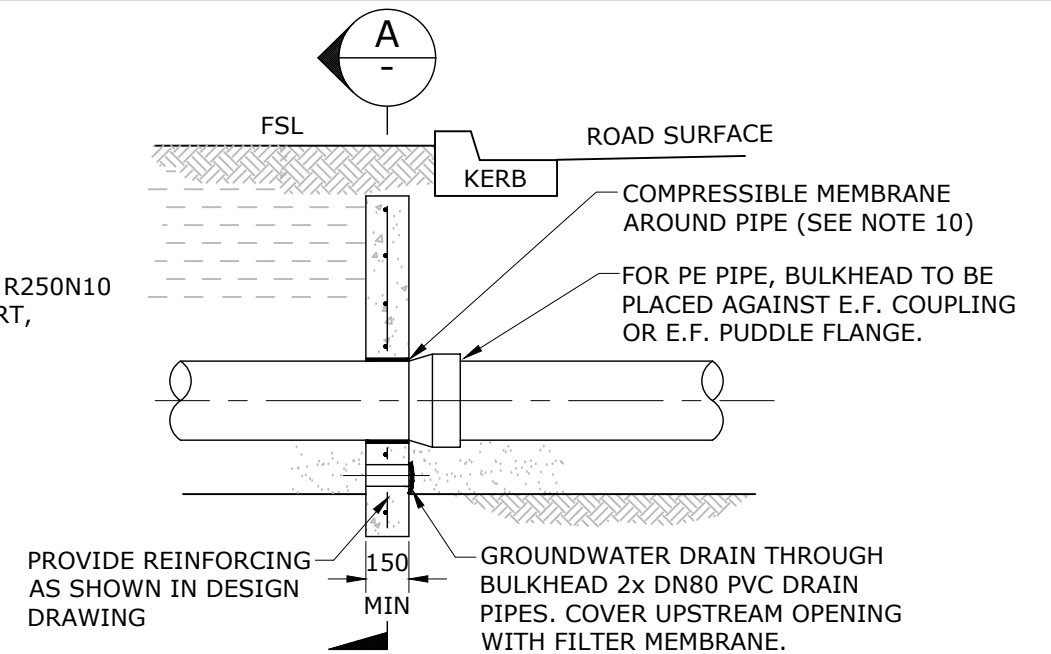
BRC	FCRC	GRC	NBRC	SBRC
DRAWING No.				VERSION
WBB-WAT-1208-1				A
NOT TO SCALE				ORG DATE:



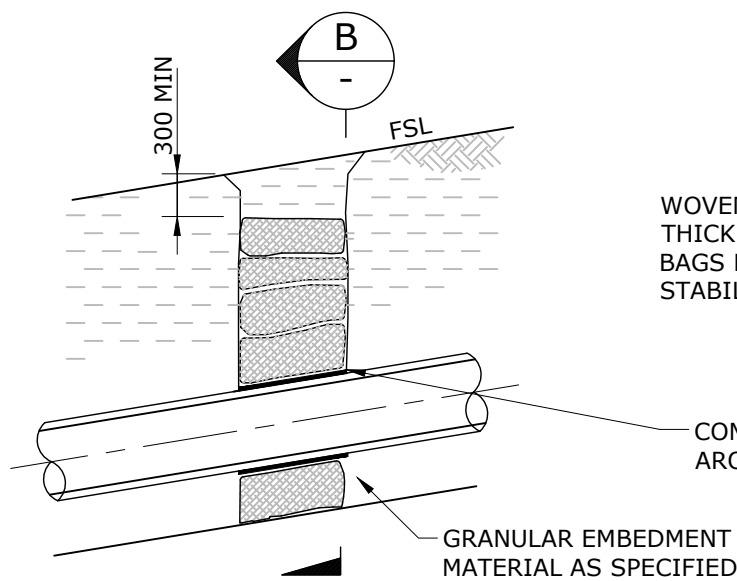
**CONCRETE BULKHEAD DETAIL**



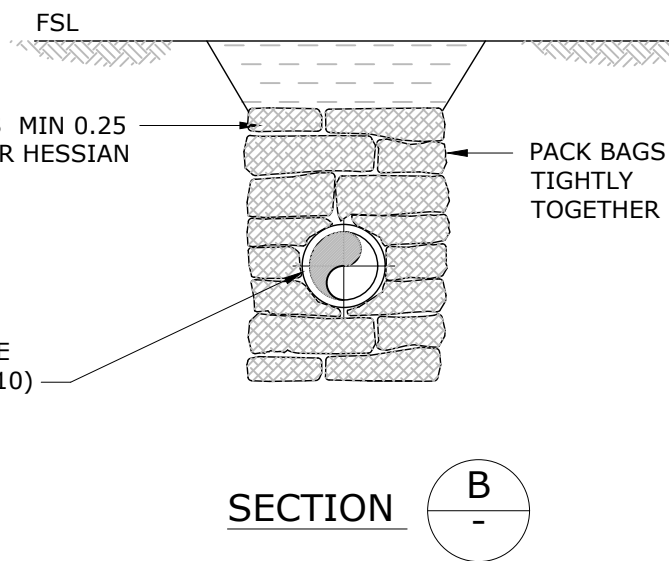
**SECTION A**



**TYPICAL ROAD CROSSING BULKHEAD**



**TRENCH STOP DETAIL**



**NOTES**

1. ALL DIMENSIONS IN MILLIMETRES.
2. CONSTRUCT CONCRETE BULKHEADS AND TRENCH STOPS AT LOCATIONS SPECIFIED IN DESIGN DRAWINGS AND BASED ON THE SPACINGS IN THE TABLE 7.5 OF THE WBBROC-SP WATER SUPPLY CODE.
3. CONSTRUCT BULKHEAD ADJACENT TO KERB AND GUTTER SHOULDER OF SEALED ROADS.
4. LOCATE BULKHEAD AT A DEVELOPMENTS RETAINING WALL UNDER THE WALL.
5. KEY CONCRETE BULKHEADS INTO SIDES AND BOTTOM OF TRENCH AGAINST A BEARING SURFACE OF UNDISTURBED SOIL.
6. CONCRETE TO BE CLASS N25.
7. DO NOT DEFORM PIPES DURING PLACEMENT OF CONCRETE.
8. SEAL BAGS TO PREVENT LEAKAGE OF CONTAINED MATERIAL.
9. PROVIDE CONTINUOUS DRAINAGE PATH
  - THROUGH BULKHEADS AND TRENCHSTOPS
  - AROUND MAINTENANCE HOLES
  - IN TRENCH EXCAVATIONS ACROSS ROADWAYS.
10. TRENCH DRAINAGE TO BE IN ACCORDANCE WITH WBB-WAT-1210-1. COMPRESSION MEMBRANE AROUND PIPE TO BE 10 THICK POLYSTYRENE FOR BULKHEADS ADJACENT TO KERBS AND 3 MIN THICK EPDM RUBBER FOR BULKHEADS AND TRENCHSTOPS ON SLOPES.
11. TRENCH STOPS AND BULKHEADS ARE TO BE USED TO PREVENT OR IMPEDE THE MOVEMENT OF SURFACE AND GROUND WATER THAT WILL DAMAGE THE PIPE TRENCH OR THE PIPE EMBEDMENT.

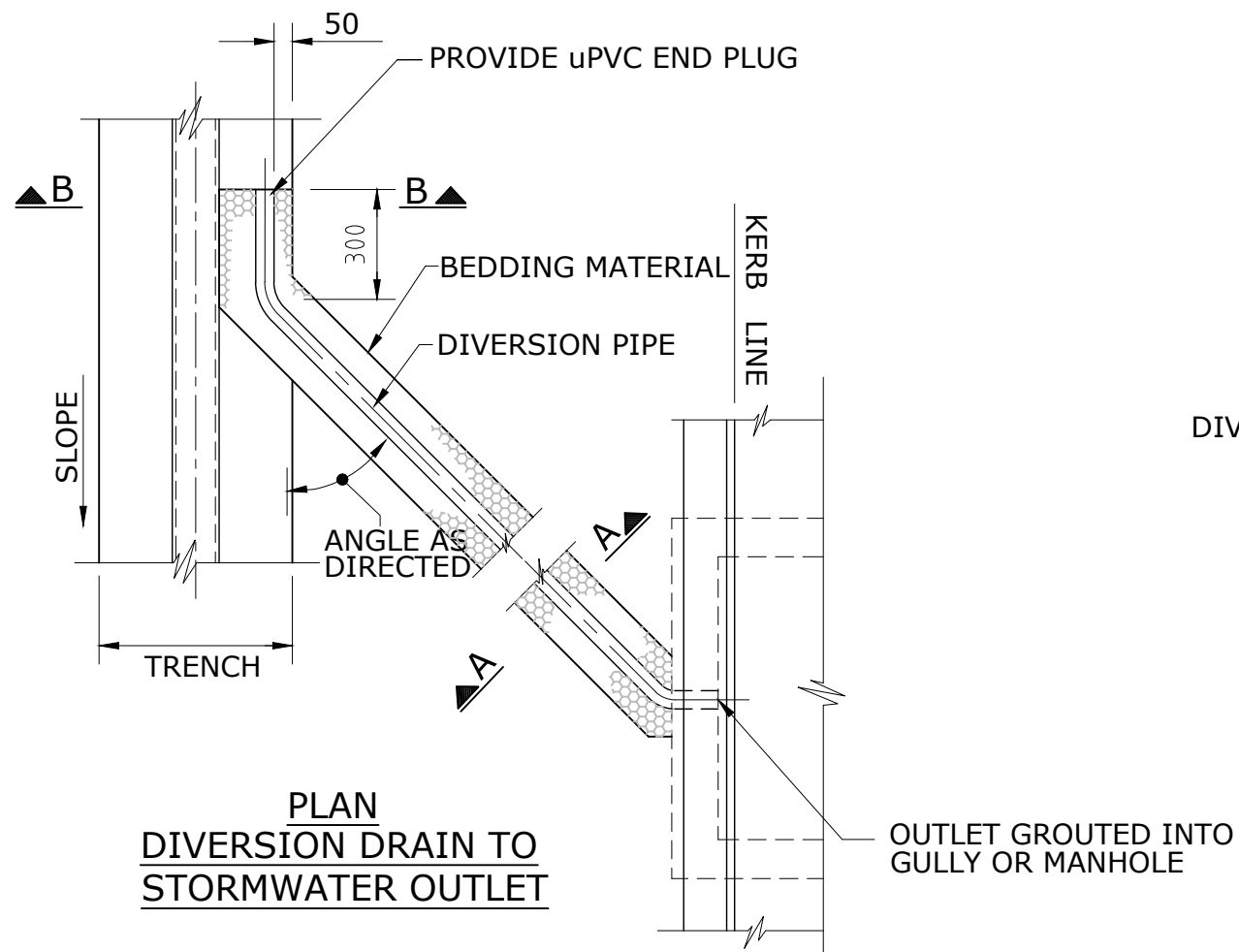
REV. No.	DATE	DESCRIPTION	AUTH.
A		BASED ON SEQ-WAT-1209-1 VERSION A DATED 1/1/2013	

**WBBROC WATER SERVICE PROVIDERS**

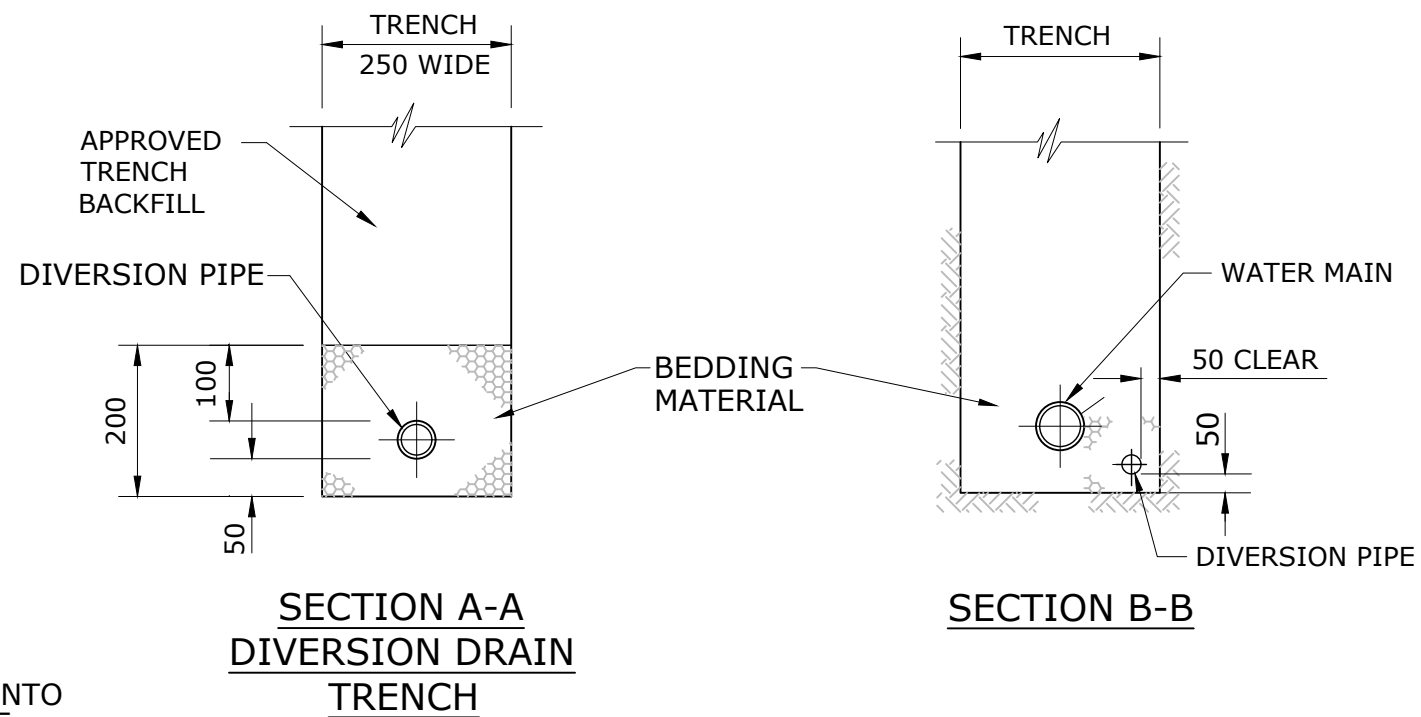
WORK PRACTICES MUST COMPLY WITH ALL APPLICABLE OCCUPATIONAL HEALTH & SAFETY LEGISLATION

WATER SUPPLY STANDARD DRAWING  
TYPICAL TRENCH DRAINAGE  
BULKHEADS AND TRENCHSTOP

BRC	FCRC	GRC	NBRC	SBRC
DRAWING No.				VERSION
<b>WBB-WAT-1209-1</b>				<b>A</b>
NOT TO SCALE				ORG DATE:



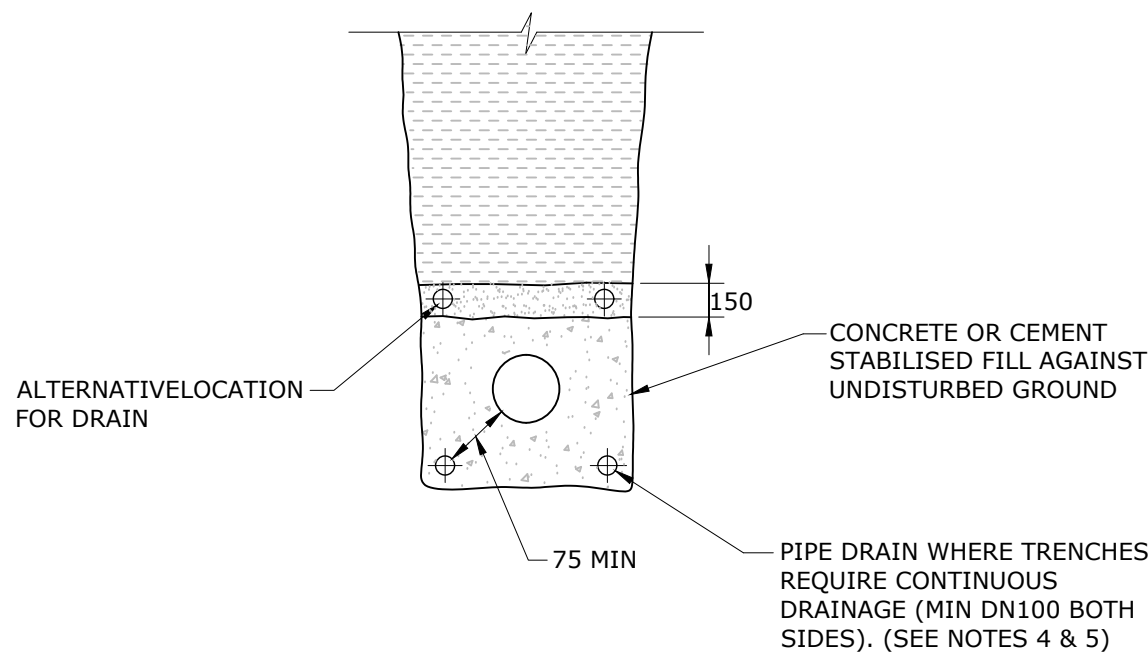
**PLAN  
DIVERSION DRAIN TO  
STORMWATER OUTLET**



**SECTION A-A  
DIVERSION DRAIN  
TRENCH**

**SECTION B-B**

**TYPICAL DISCHARGE SYSTEMS FOR PIPE TRENCHES**



**TRENCH DRAINAGE FOR CONCRETE ENCASMENT/STABILISATION**

**NOTES**

1. ALL DIMENSIONS IN MILLIMETRES.
2. DRAINAGE PIPES TO DISCHARGE INTO AUTHORISED STORMWATER DISCHARGE AREAS (AS SHOWN IN DESIGN DRAWINGS).
3. LAY GEOTEXTILE FILTER FABRIC IN TRENCH SUCH THAT IT FULLY ENCAPSULATES THE DRAINAGE MATERIAL (5/7 AGGREGATE). PROVIDE MINIMUM OF 250 LAP AT ALL FILTER FABRIC JOINTS.
4. PROVIDE CONTINUOUS DRAINAGE PATH:
  - THROUGH BULKHEADS.
  - IN TRENCH EXCAVATIONS ACROSS ROADWAY.
5. WHERE REINFORCING IS USED LOCATE DRAIN INSIDE THE REINFORCING.
6. DEPTH MAY NEED TO BE INCREASED TO COMPENSATE. DIVERSION PIPE AND FITTINGS TO BE DN50 SLOTTED POLYETHYLENE 6. CLASS 400 TO AS 2439.1..
7. DIVERSION PIPES ARE TO BE FITTED WITH A FILTER SOCK/SLEEVE.

REV. No.	DATE	DESCRIPTION	AUTH.
A		BASED ON SEQ-WAT-1210-1 VERSION A DATED 1/1/2013	

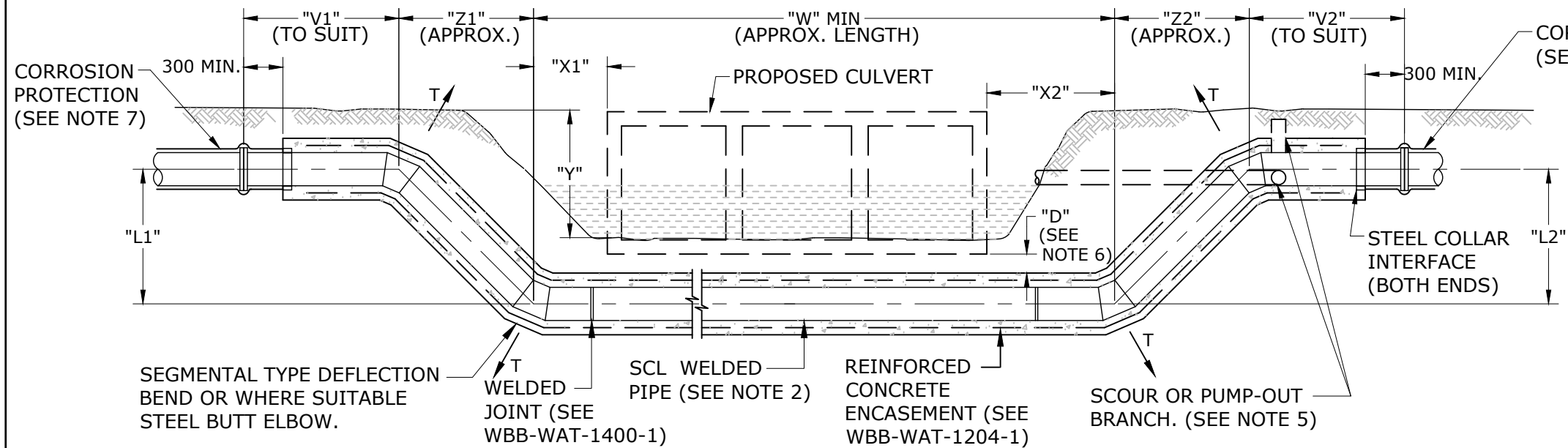
**WBBROC WATER  
SERVICE PROVIDERS**

WORK PRACTICES MUST COMPLY WITH ALL APPLICABLE  
OCCUPATIONAL HEALTH & SAFETY LEGISLATION

WATER SUPPLY STANDARD DRAWING  
TYPICAL TRENCH DRAINAGE  
TRENCH SYSTEMS

BRC	FCRC	GRC	NBRC	SBRC
DRAWING No.				VERSION
<b>WBB-WAT-1210-1</b>				<b>A</b>
NOT TO SCALE				ORG DATE:



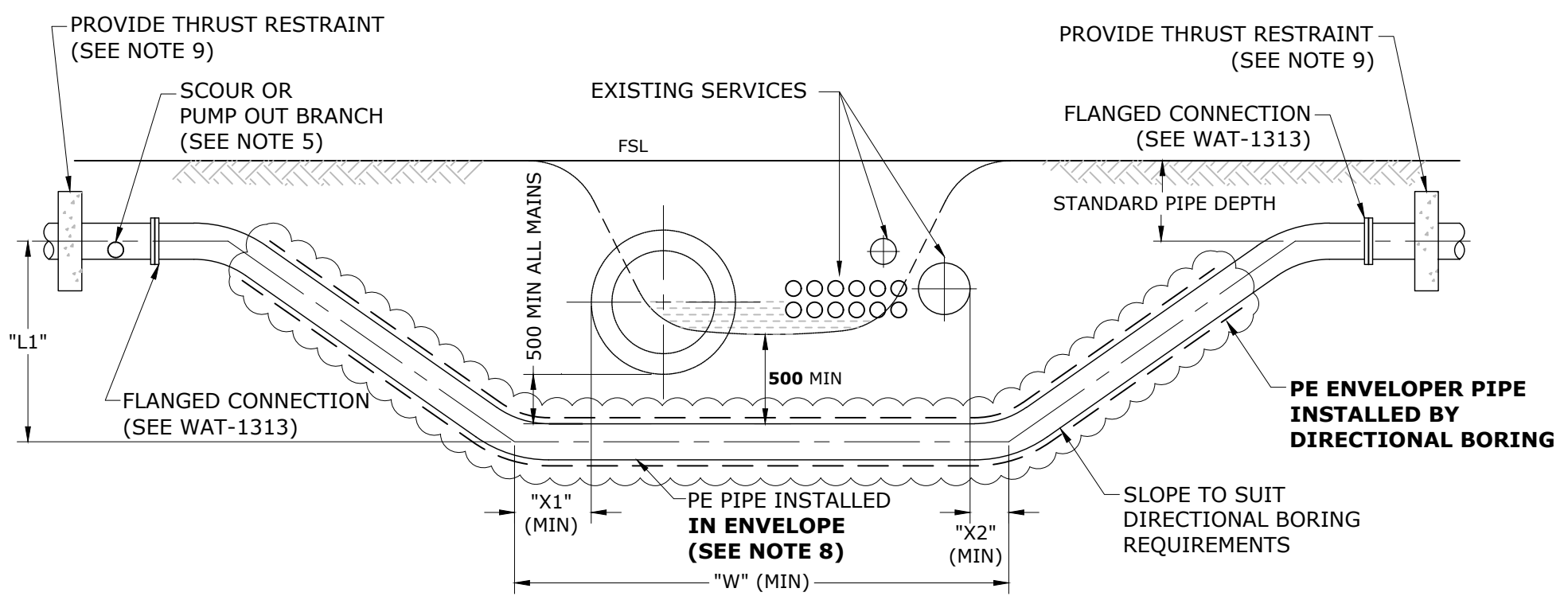


**CREEK/CULVERT CROSSING > DN 450 STEEL PIPE SHOWN**

USING CONCRETE ENCASEMENT  
**(REQUIRES SP APPROVAL)**  
**(REFER NOTE 12 AND 13)**

**NOTES**

1. ALL DIMENSIONS IN MILLIMETRES.
2. STEEL PIPE JOINTS TO BE EITHER PLAIN ENDS WITH WELDED COLLAR, BUTT WELDED OR SLIP-IN TYPE WELDED JOINT.
3. DIMENSIONS D, L1, L2, V1, V2, W, X1, X2, Y, Z1, Z2, THRUST "T" 3. AND REINFORCEMENT DETAILS TO BE AS SHOWN IN DESIGN DRAWINGS. "W" SHALL BE ULTIMATE CREEK, CULVERT OR SERVICES WIDTH.
4. POUR UNDERSIDE OF CONCRETE ENCASEMENT AGAINST UNDISTURBED GROUND.
5. WHERE REQUIRED PROVIDE SCOUR OR PUMP-OUT BRANCH AS DETAILED IN DESIGN DRAWINGS. (WBB-WAT-1307 SET.)
6. 500 MIN COVER (DIMENSION "D") TO APPLY EXCEPT FOR MAJOR STREAM CROSSINGS OR WHERE CONDITIONS SUCH AS DREDGING OR NAVIGATION REQUIREMENTS MIGHT APPLY. FOR SUCH APPLICATIONS INCREASED DEPTH OF COVER TO BE DECIDED AFTER CONSULTATION WITH AUTHORITY RESPONSIBLE FOR WATERWAY.
7. FULLY WRAP PE COATED SCL PIPE USING BITUMASTIC WRAPPING TAPE SYSTEM EXTENDING FROM 300 mm INSIDE FACE OF CONCRETE ENCASEMENT TO FIRST POINT OF FULL PIPE PROTECTION.
8. NO JOINTS PERMITTED IN THE PIPE SECTION UNDER THE OBSTRUCTION.
9. PROVIDE THRUST RESTRAINTS WHERE PE PIPEWORK IS CONNECTED TO RRJ PIPEWORK (SEE WBB-WAT-1207-1), TRANSITION MAY BE ON SLOPED PIPE LENGTHS.
10. AIR RELIEF AND ISOLATION VALVES TO BE INSTALLED WHERE SHOWN IN DESIGN DRAWINGS.
11. STANDARD PE100 DIAMETERS ARE DEFINED IN THE PREFERRED MATERIALS LIST.
12. DN450 AND SMALLER USE CONCRETE ENCASED D1CL SOC-SP PIPE CLASS PN35. WITH JOINTS MANAGED AS PER WBB-WAT-1203-1 AND THRUST MANAGED AS PER WBB-WAT-1205-1.
13. **CONCRETE ENCASEMENT NOT PREFERRED.**



**CREEK STORMWATER AND BURIED SERVICES CROSSING ≤ DN 450 (ID 366) PE SHOWN**

USING TRENCHLESS TECHNOLOGY **(REQUIRES SP APPROVAL)**

REV. No.	DATE	DESCRIPTION	AUTH.
A		BASED ON SEQ-WAT-1211-1 VERSION A DATED 1/1/2013	

**WBBROC WATER SERVICE PROVIDERS**

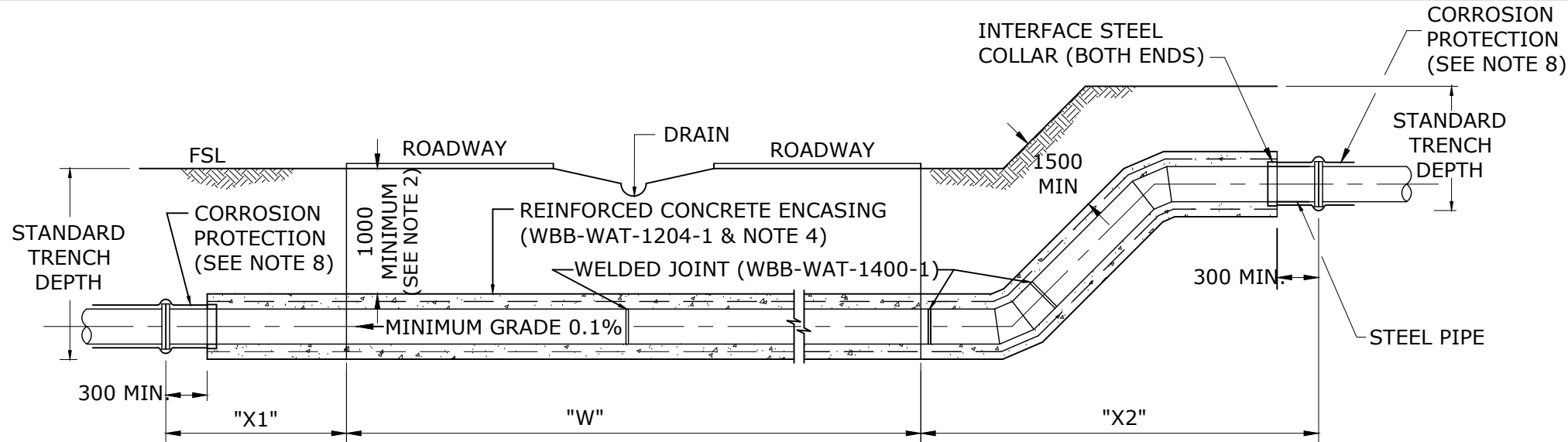
WORK PRACTICES MUST COMPLY WITH ALL APPLICABLE OCCUPATIONAL HEALTH & SAFETY LEGISLATION

WATER SUPPLY STANDARD DRAWING  
 TYPICAL BURIED CROSSINGS  
 UNDER OBSTRUCTIONS

BRC	FCRC	GRC	NBRC	SBRC
DRAWING No.				VERSION
<b>WBB-WAT-1211-1</b>				<b>A</b>
NOT TO SCALE				ORG DATE:

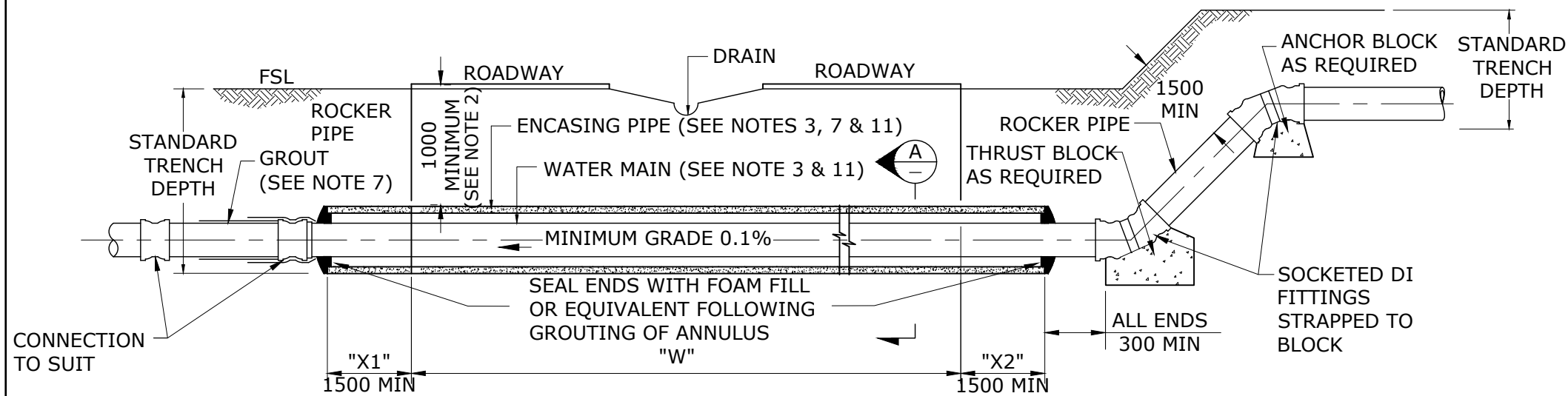
**NOTES**

- ALL DIMENSIONS IN MILLIMETRES.
- DETAILS SHOWN ARE TYPICAL. THE DESIGNER SHALL PROVIDE A SPECIFIC DESIGN FOR THE INSTALLATION AND OBTAIN APPROVAL FROM THE RELEVANT AUTHORITY FOR THE DESIGN. PRIOR TO CONSTRUCTION, THE CONTRACTOR MUST OBTAIN APPROVAL FROM THE RELEVANT AUTHORITY TO ACCESS THE SITE.
- BORED AND JACKED ENCASING PIPE METHOD.
  - ENCASING PIPE**
    - REINFORCING CONCRETE CLASS 4 BUTT JOINED WITH STEEL LOCATING BANDS, OR WELDED MILD STEEL JACKING PIPE.
  - WATER MAIN**
    - STEEL CEMENT LINED WITH FUSION BONDED PE COATING.
    - DICL FLANGE CLASS
    - PE (SEE NOTE 14)
- CONCRETE ENCASED METHOD.
  - PIPE MATERIAL TO BE SCL OR DICL SOC-SP PIPE (REFER NOTE 15)
  - EXTERNAL COATING REQUIRED ON SCL PIPE.
  - SCL JOINTS TO BE FULLY WELDED.
  - NO SERVICE CONNECTIONS TO BE MADE TO ENCASED SECTION OF PIPELINE.
- STEEL PIPE JOINTS TO BE EITHER PLAIN ENDS WITH WELDED COLLAR, BUTT WELDED OR SLIP-IN TYPE WELDED JOINTS.
- DIMENSIONS "W", "X1" & "X2" AND LOCATION OF BULKHEADS & REINFORCING TO BE SHOWN IN DESIGN DRAWINGS. "W" SHALL BE ULTIMATE ROAD WIDTH.
- FILL VOIDS OUTSIDE ENCASING PIPE WITH GROUT DURING THE INSTALLATION, REFER WBB-WAT-1214-1 FOR NOTE 4.
- FULLY WRAP PE COATED SCL PIPE USING BITUMASTIC WRAPPING TAPE SYSTEM EXTENDING FROM 300 mm INSIDE FACE OF CONCRETE ENCASEMENT TO FIRST POINT OF FULL PIPE PROTECTION.
- INSTALL AIR RELIEF AND ISOLATION VALVES WHERE SHOWN IN DESIGN DRAWINGS.
- CONSTRUCTION TO BE IN ACCORDANCE WITH DESIGN DRAWINGS.
- SEE WBB-WAT-1214-1 FOR DETAILS OF ENCASING AND WATER MAIN INSTALLATION AND GROUTING DETAILS.
- DIRECTIONAL BORING TO INSTALL PE **ENVELOPER AND** PIPE IS ALSO ACCEPTABLE.
- SMALLER DIAMETER MAINS SHALL BE DICL SOC-SP PIPE WITH TYPE 9 TRENCH AND THRUST MANAGEMENT TO WBB-WAT-1207-1.
- PLASTIC PIPE MATERIALS WHERE APPROVED SHALL BE MANAGED FOR FLOATION AND THERMAL REVERSION DURING THE GROUTING PROCESS, REFER NOTE 4 ON WBB-WAT-1214-1 FOR GROUT.
- CONCRETE ENCASEMENT NOT PREFERRED.**
- GROUTING OF ENCASING TO WATER PIPE ANNULUS IS NOT ALLOWED.**



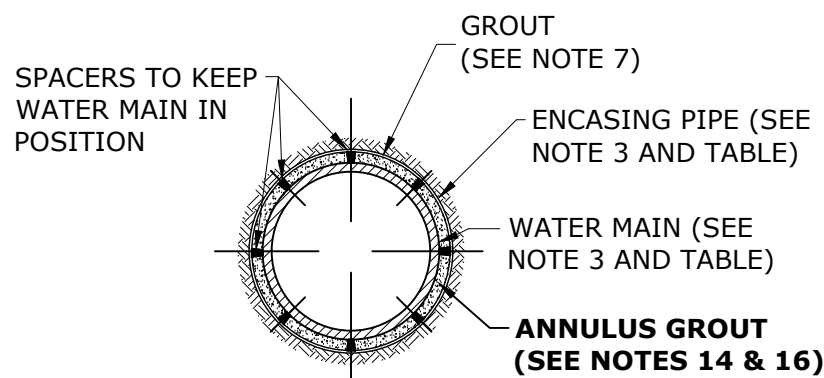
**CONCRETE ENCASED METHOD ≥ DN 610 STEEL PIPE SHOWN**

FOR INSTALLATIONS PRIOR TO ROAD CONSTRUCTION - REFER NOTE 13 AND 15



**BORED AND JACKED ENCASING PIPE METHOD**

FOR INSTALLATIONS PRIOR TO AND AFTER ROAD CONSTRUCTION (SEE WBB-WAT-1214-1)



**ENCASING PIPE & WATER MAIN**

(PREFERRED INSTALLATION OPTION)

WATER MAIN PIPE (DN)	100	150	200	250	300	400	500	550	650	800
STEEL ENCASING PIPE (DN) MIN	300	375	375	450	525	600	700	750	825	1000

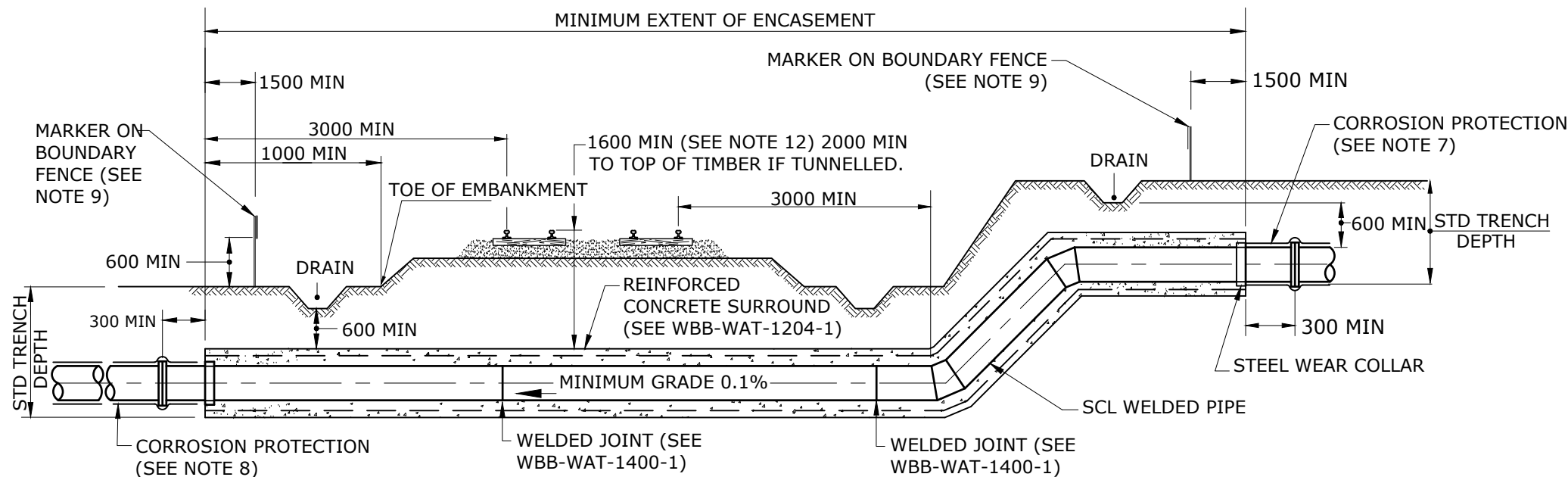
REV. No.	DATE	DESCRIPTION	AUTH.
A		BASED ON SEQ-WAT-1212-1 VERSION A DATED 1/1/2013	

**WBBROC WATER SERVICE PROVIDERS**

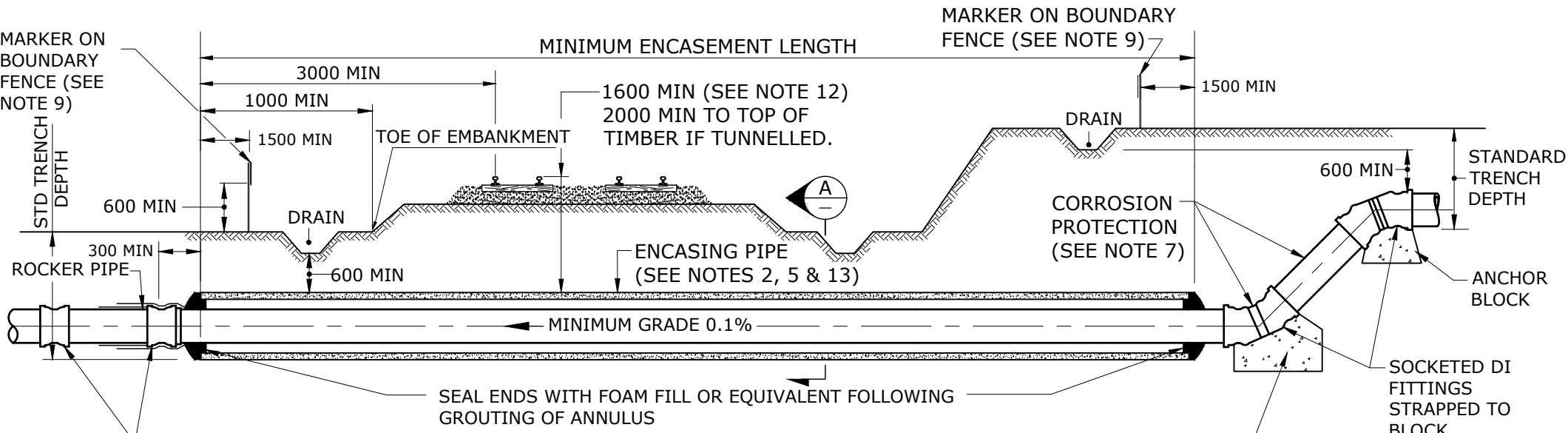
WORK PRACTICES MUST COMPLY WITH ALL APPLICABLE OCCUPATIONAL HEALTH & SAFETY LEGISLATION

WATER SUPPLY STANDARD DRAWING  
TYPICAL BURIED CROSSINGS  
MAJOR ROADWAYS

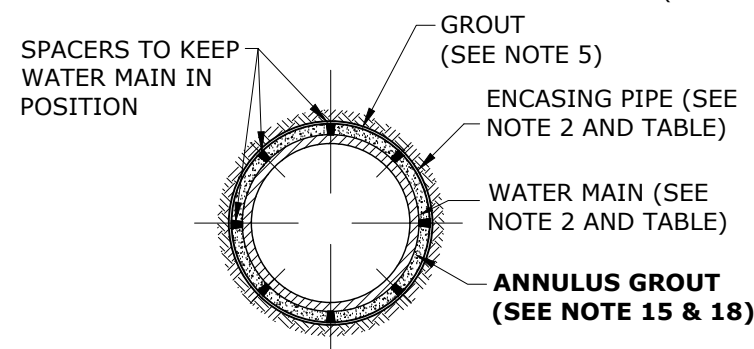
BRC	FCRC	GRC	NBRC	SBRC
DRAWING No.				VERSION
<b>WBB-WAT-1212-1</b>				<b>A</b>
NOT TO SCALE				ORG DATE:



**CONCRETE ENCASED METHOD ≥ DN 610 SHOWN**  
FOR INSTALLATIONS PRIOR TO TRACK CONSTRUCTION - REFER NOTE 14 AND 17



**BORED AND JACKED ENCASED PIPE METHOD**  
FOR INSTALLATIONS PRIOR TO AND AFTER TRACK CONSTRUCTION  
(SEE WBB-WAT-1214-1)



**ENCASING PIPE & WATER MAIN**  
(PREFERRED INSTALLATION OPTION)

WATER MAIN PIPE (DN)	100	150	200	250	300	400	500	550	650	800
STEEL ENCASED PIPE (DN) MIN	300	375	375	450	525	600	700	750	825	1000

**DETAILS SHOWN ARE TYPICAL. THE DESIGNER MUST OBTAIN PRE APPROVAL FROM THE SP FOR DIRECTIONAL DRILLING AND SUBMIT A SPECIFIC DESIGN FOR SP APPROVAL.**

**NOTES**

- ALL DIMENSIONS IN MILLIMETRES.
- BORED AND JACKED ENCASED PIPE METHOD.  
ENCASING PIPE  
- REINFORCING CONCRETE CLASS 4 BUTT JOINED WITH STEEL LOCATING BANDS, OR WELDED MILD STEEL OR GRP JACKING PIPE.  
WATER MAIN  
- STEEL CEMENT LINES WITH FUSION BONDED PE COATING  
- DICL FLANGE CLASS  
- PE (SEE NOTE 15)
- CONCRETE ENCASED  
- THE PIPE MATERIAL TO BE SCL OR DICL SC-SP PIPE (REFER NOTE 17).  
- EXTERNAL COATING REQUIRED ON SCL PIPE.  
- SCL JOINTS TO BE FULLY WELDED.  
- NO SERVICE CONNECTIONS TO BE MADE TO ENCASED SECTION OF PIPELINE
- STEEL PIPE JOINTS TO BE EITHER PLAIN OR PLAIN ENDS WITH WELDED COLLAR OR BUTT WELDED OR SLIP-IN TYPE WELDED JOINT. EXTERNAL COATING REQUIRED (SEE WBB-WAT-1400-1).
- FILL VOIDS OUTSIDE OF ENCASED PIPE WITH PRESSURE GROUT DURING INSTALLATION, REFER WBB-WAT-1214-1 FOR NOTE 4.
- LOCATE VALVE ACCESS CHAMBERS (IF REQUIRED) AT LEAST 6000 FROM TOE OF EMBANKMENT OR TOP OF CUT.
- FOR DICL MAINS, PROTECT ALL PIPES AND FITTINGS WITH PE SLEEVING.
- FULLY WRAP PE COATED SCL PIPE USING BITUMASTIC WRAPPING TAPE SYSTEM EXTENDING FROM 300 mm INSIDE FACE OF CONCRETE ENCASEMENT TO FIRST POINT OF FULL PIPE PROTECTION.
- PLACE MARKERS ABOVE BURIED PIPELINE AT THE POINTS WHERE IT ENTERS AND LEAVES THE PROPERTY.
- PROVIDE ADDITIONAL STRAY CURRENT PROTECTION AS DIRECTED BY RAILWAY AUTHORITY. ELECTRICAL CONTINUITY AND INSULATION TO BE AS SPECIFIED IN DESIGN DRAWINGS.
- DESIGN TO BE IN ACCORDANCE WITH AS 4799.
- MINIMUM COVER FOR ALL PIPELINES BELOW RAILWAY LINES  
- NOT LESS THAN 1600 BELOW RAIL LEVEL;  
- NOT LESS THAN 600 BELOW FORMATION LEVEL, i.e. THE GROUND LEVEL IMMEDIATELY BELOW THE RAILWAY BALLAST.  
- NOT LESS THAN 2000 BELOW RAIL LEVEL TO TOP OF TIMBER FOR TUNNELS.
- SEE WBB-WAT-1214-1 FOR DETAILS OF ENCASED AND WATER MAIN INSTALLATION AND GROUTING DETAILS.
- SMALLER DIAMETER MAINS SHALL BE DICL SOC-SP PIPE WITH TYPE 9 TRENCH AND THRUST MANAGEMENT TO WBB-WAT-1205-1.
- PLASTIC PIPE MATERIALS WHERE APPROVED SHALL BE MANAGED FOR FLOATATION AND THERMAL REVERSION DURING THE GROUTING PROCESS, REFER NOTE 4 ON WBB-WAT-1214-1 FOR GROUT.
- DETAILS SHOWN ARE TYPICAL. THE DESIGNER SHALL PROVIDE A SPECIFIC DESIGN FOR THE INSTALLATION AND OBTAIN APPROVAL FROM THE RELEVANT AUTHORITY FOR THE DESIGN. PRIOR TO CONSTRUCTION, THE CONTRACTOR MUST OBTAIN APPROVAL FROM THE RELEVANT AUTHORITY TO ACCESS THE SITE.
- CONCRETE ENCASEMENT NOT ALLOWED**
- GROUTING OF ENCASED TO WATER PIPE ANNULUS IS NOT ALLOWED**

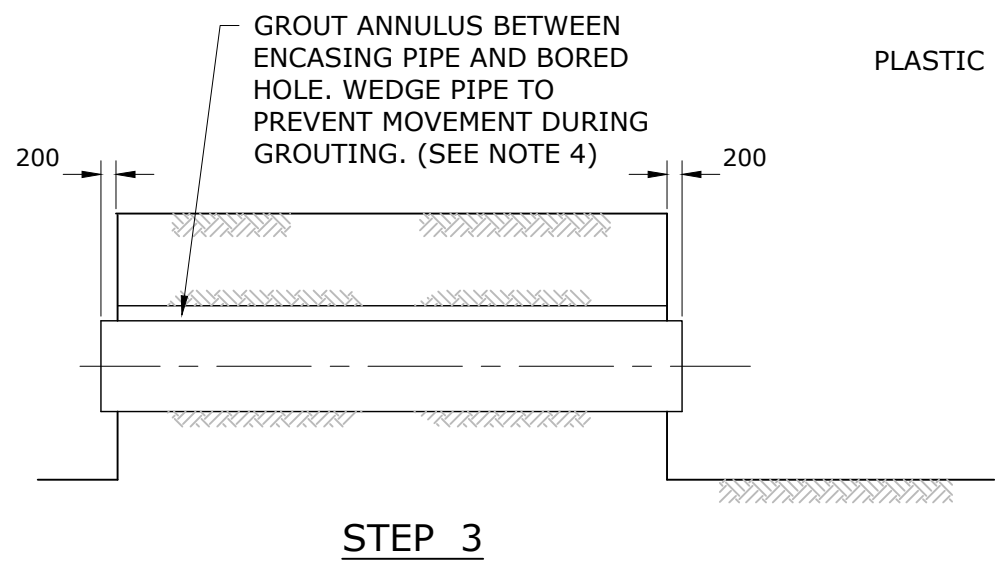
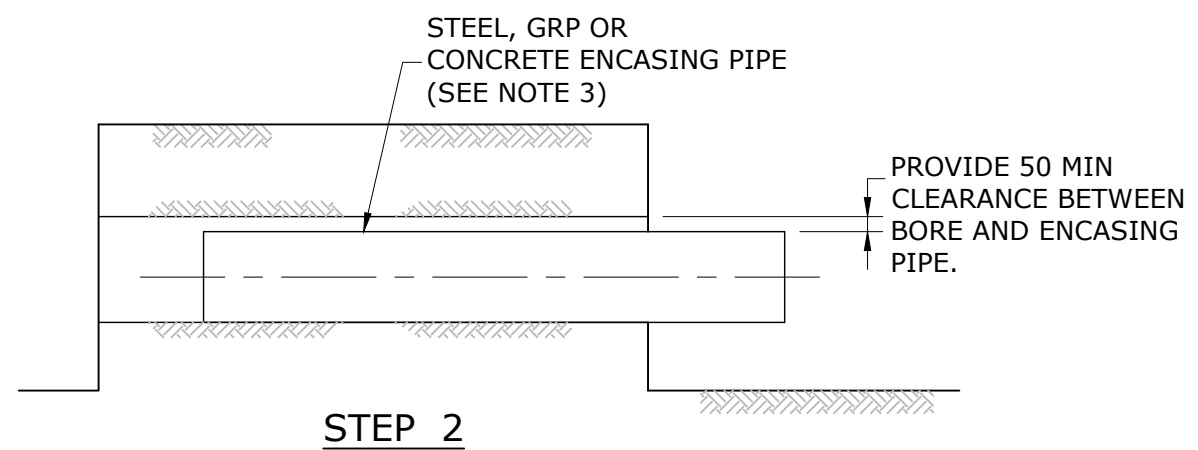
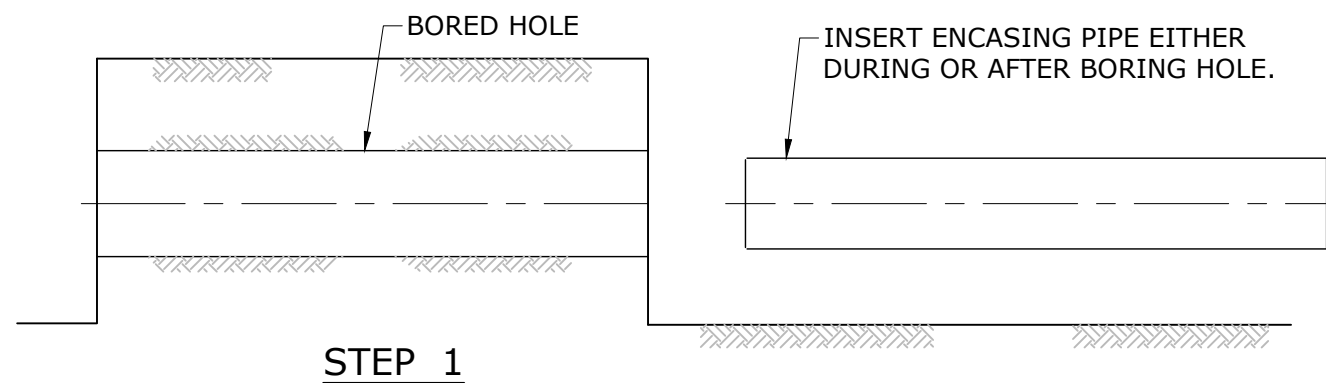
REV. No.	DATE	DESCRIPTION	AUTH.
A		BASED ON SEQ-WAT-1213-1 VERSION A DATED 1/1/2013	

**WBBROC WATER SERVICE PROVIDERS**

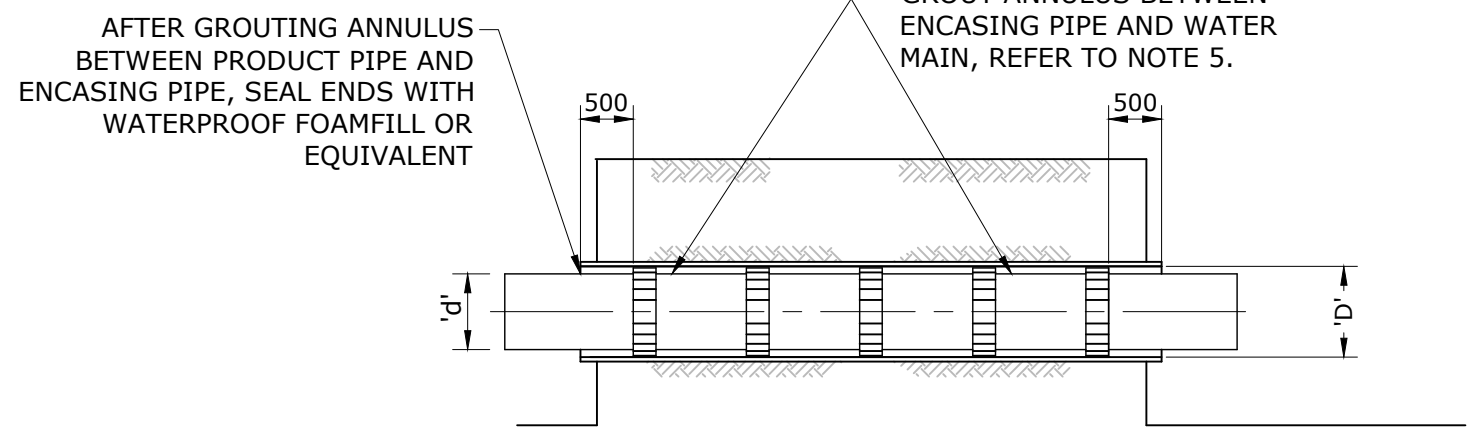
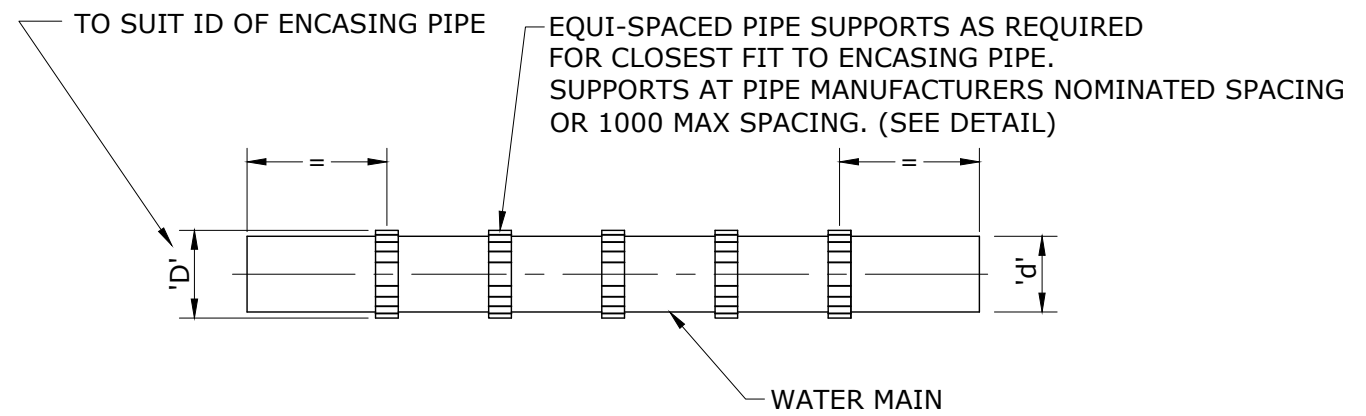
WORK PRACTICES MUST COMPLY WITH ALL APPLICABLE OCCUPATIONAL HEALTH & SAFETY LEGISLATION

WATER SUPPLY STANDARD DRAWING  
TYPICAL BURIED CROSSINGS  
RAILWAYS

BRC	FCRC	GRC	NBRC	SBRC
DRAWING No.				VERSION
<b>WBB-WAT-1213-1</b>				<b>A</b>
NOT TO SCALE				ORG DATE:



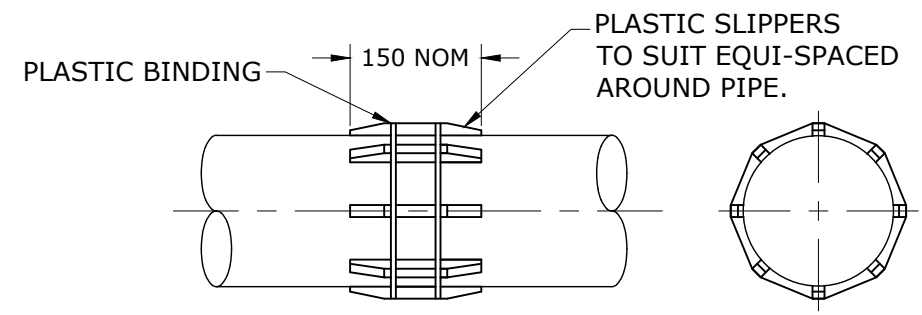
**INSTALLATION OF BORED ENCASING PIPE**



**TYPICAL FINISHED INSTALLATION**

**BORED ENCASING PIPE SYSTEM**  
STEPS 1, 2 & 3 AS SHOWN.

**JACKED ENCASING PIPE SYSTEM**  
INSTALLATION OF JACKED ENCASING PIPE TO BE CARRIED OUT BY SPECIALIST PIPE JACKING COMPANY AUTHORISED BY THE WATER AGENCY.



**WATER MAIN SUPPORTS DETAIL**

**NOTES**

1. ALL DIMENSIONS IN MILLIMETRES.
2. PIPE MATERIALS AND 'D' & 'd' TO BE AS SPECIFIED IN DESIGN DRAWING.
3. FULL BUTT WELDED STEEL ENCASING PIPES PREFERRED.
4. BORED HOLE TO ENCASING PIPE GROUT MIX BY WEIGHT IS 0.67 WATER : 1.0 CEMENT : 1.0 SAND WITH THE SAND TO BE WELL ROUNDED SAND AND WBBROC-SP APPROVED PLASTICISERS MAY BE USED.
5. **ENCASING PIPE TO WATER PIPE GROUTING IS NOT ALLOWED**

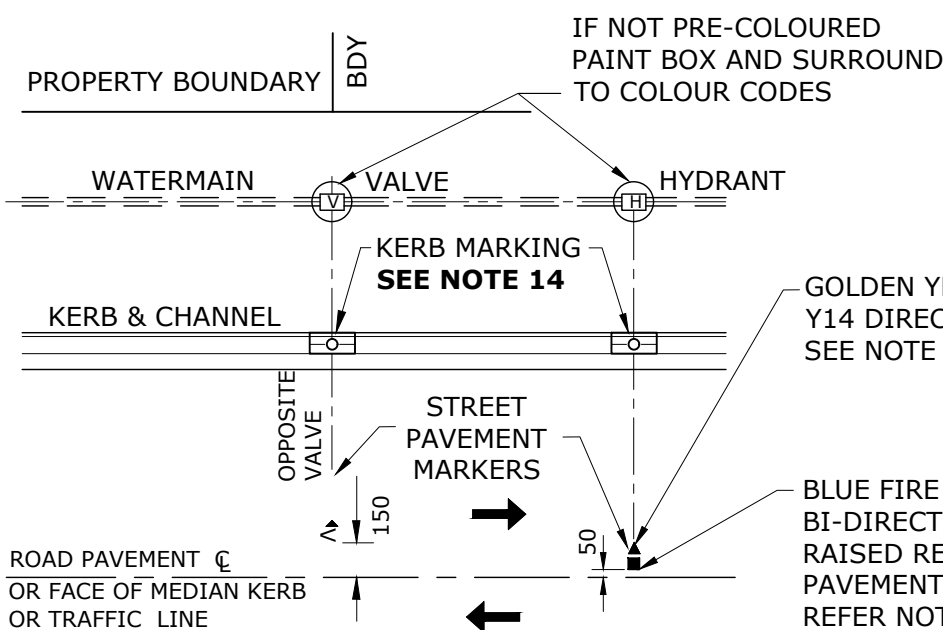
REV. No.	DATE	DESCRIPTION	AUTH.
A		BASED ON SEQ-WAT-1214-1 VERSION B DATED 14/07/2015	

**WBBROC WATER SERVICE PROVIDERS**

WORK PRACTICES MUST COMPLY WITH ALL APPLICABLE OCCUPATIONAL HEALTH & SAFETY LEGISLATION

WATER SUPPLY STANDARD DRAWING  
TYPICAL BURIED CROSSINGS  
BORED AND JACKED ENCASING  
PIPE DETAILS

BRC	FCRC	GRC	NBRC	SBRC
DRAWING No.				VERSION
<b>WBB-WAT-1214-1</b>				<b>A</b>
NOT TO SCALE				ORG DATE:



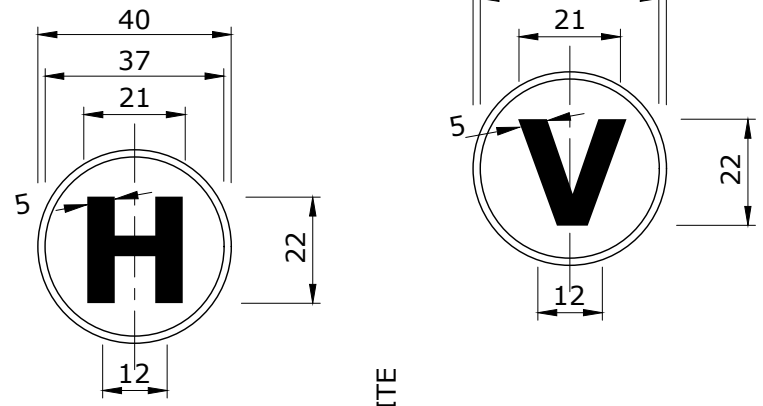
**KERBED STREETS/ROADS  
TYPICAL PAVEMENT MARKING PLAN**  
(SEE NOTE 13)

LID/MARKER PLATE/DISC CODES			
LID/KERB	FACILITY	LID/KERB	FACILITY
H	HYDRANT	V	VALVE
F	FLUSHING POINT	SC	SWABBING CHAMBER
AV	AIR VALVE	HL	HIGH LEVEL MAIN
SV	SCOUR VALVE	ML	MID LEVEL MAIN
SH	SWABBING HYDRANT	LL	LOW LEVEL MAIN
VB	VALVE BOX/PIT		

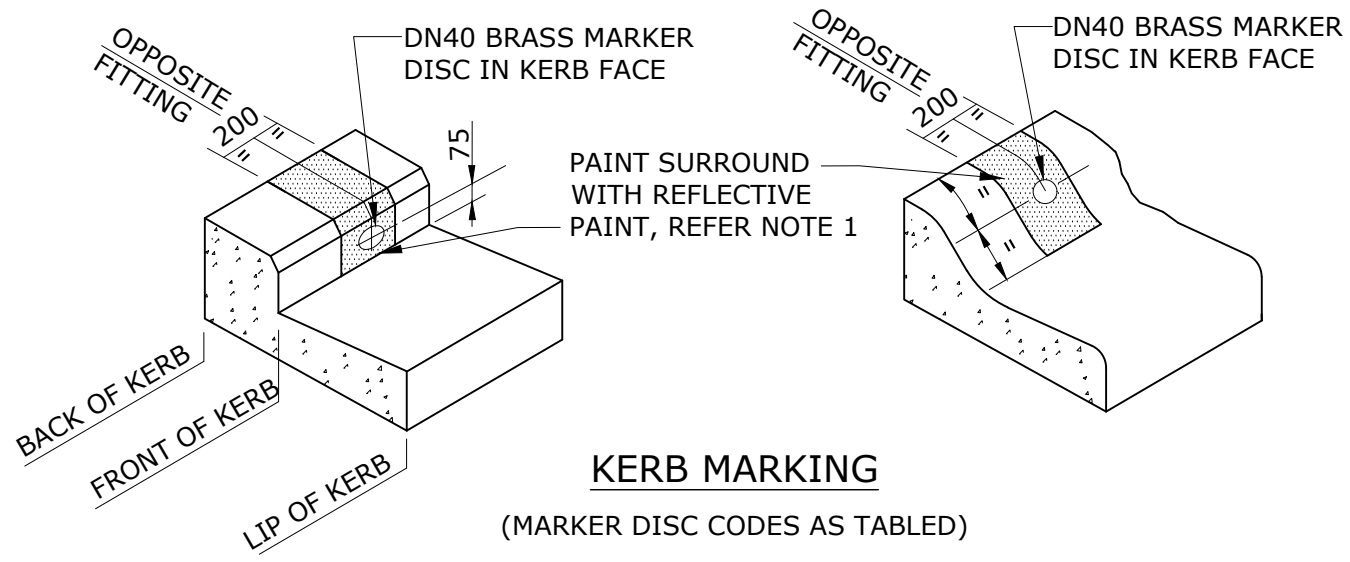
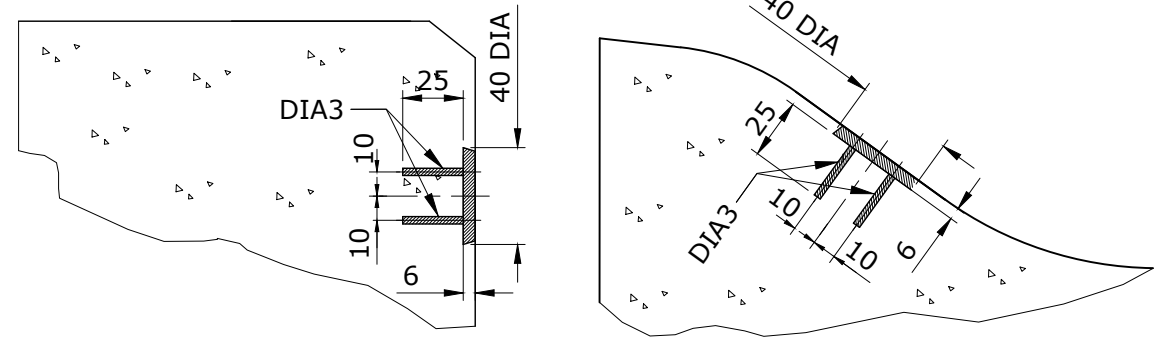
COLOUR CODES	
WHITE	VALVES, SCOUR VALVES SWABBING CHAMBERS, AIR VALVES
GOLDEN YELLOW AS2700 Y14	HYDRANTS, FLUSHING POINTS
RED	CLOSED ZONE / BOUNDARY VALVES
BLUE	DIALYSIS VALVES

DIRECTION OF TRAFFIC FLOW

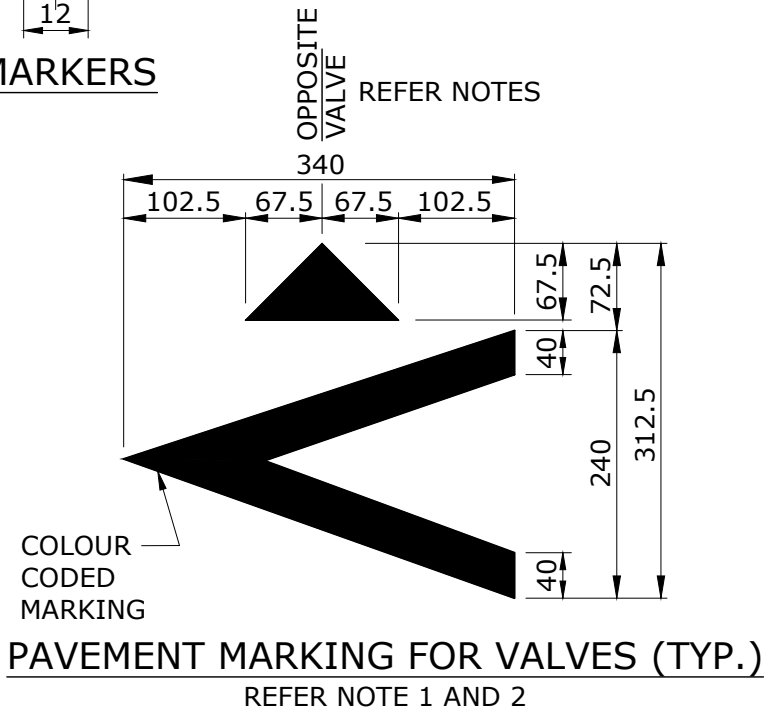
**PAVEMENT MARKING FOR HYDRANTS**



**BRASS HYDRANT/VALVE MARKERS**



**KERB MARKING**  
(MARKER DISC CODES AS TABLED)



**PAVEMENT MARKING FOR VALVES (TYP.)**  
REFER NOTE 1 AND 2

**NOTES**

- PAVEMENT MARKING PAINT SHALL BE OF AN APPROVED REFLECTIVE PAINT, INCORPORATING APPLIED GLASS BEADS, MANUFACTURED TO THE REQUIREMENTS OF MAIN ROADS. THE PAINT COLOUR SHALL BE AS DETAILED.
- PAVEMENT MARKINGS SHALL BE LOCATED CLEAR OF THE PARKING LANE SO THAT TYRE WEAR IS MINIMISED. THE EXACT LOCATION SHALL BE DETERMINED BY THE SUPERINTENDENT FOLLOWING SITE INSPECTIONS.
- FOR COUNCIL CONTROLLED ROADS, BLUE RAISED REFLECTIVE FIRE HYDRANT MARKERS SHALL BE IN ACCORDANCE WITH AS1906.3. THE BLUE REFLECTOR SHALL FACE THE DIRECTION OF APPROACHING TRAFFIC.
- FOR STATE CONTROLLED ROADS, BLUE RAISED REFLECTIVE FIRE HYDRANT MARKERS SHALL BE INSTALLED IN ACCORDANCE WITH THE MANUAL OF UNIFORM TRAFFIC CONTROL DEVICES.
- ALL KERB AND PAVEMENT MARKINGS AND SURFACE FITTINGS SHALL BE COLOUR CODED AS PER COLOUR CODED TABLE.
- INSTALL THE SECOND BLUE REFLECTIVE FIRE HYDRANT MARKER AND THE YELLOW REFLECTIVE DIRECTIONAL ARROW ON OTHER SIDE OF ROAD WHERE CENTRE MEDIAN OBSCURES VIEW OF EITHER OF THEM FROM OTHER SIDE.
- SURFACE OF ROAD PAVEMENT SHALL BE THOROUGHLY CLEANED OF DUST, DIRT & EXTRANEIOUS MATTER WITH A WIRE BRUSH.
- BLUE FIRE HYDRANT REFLECTIVE MARKERS SHALL BE INSTALLED IN ACCORDANCE WITH THEIR MANUFACTURER'S RECOMMENDATIONS OR WHERE THERE ARE NO SPECIFIC MANUFACTURER'S INSTRUCTIONS BY HEATING WITH A GAS FLAME FOLLOWED BY PRESSING INTO THE ROAD SURFACE WITH SUFFICIENT FORCE TO ENSURE ADHESION ACROSS THE ENTIRE BASE PLATE OR THE APPLICATION OF THE RECOMMENDED PROPRIETARY ADHESIVE ACROSS THE ENTIRE BASE PLATE.
- MARKER SHALL BE ALIGNED SQUARE TO THE ROAD CENTRELINE IN THE DIRECTION.
- RAISED BLUE FIRE HYDRANT MARKERS, BRASS KERB MARKER, KERB PAINT AND MARKER POST ARE TO BE INSTALLED IN LINE WITH THE HYDRANT AND EACH OTHER.
- VALVE AND HYDRANT BOXES AND LIDS SHALL BE PAINTED OR COLOURED, REFER NOTES 1 & 5.
- KERB AND PAVEMENT MARKERS ARE BOTH REQUIRED WHERE IT IS POSSIBLE TO INSTALL THEM. WHERE IT IS NOT POSSIBLE TO MARK THE POSITION OF A VALVE OR HYDRANT WITH BOTH A KERB MARKER (BECAUSE THERE IS NO KERB) AND A PAVEMENT MARKER (BECAUSE THERE IS NO PAVEMENT OR ONLY A SPRAY SEAL) A MARKER POST MUST BE INSTALLED IN ACCORDANCE WITH DRAWING WBB-WAT-1300-2.
- PLACEMENT OF ALL STREET FURNITURE SHALL CONFORM TO THE MANUAL OF UNIFORM TRAFFIC CONTROL DEVICES.
- BRC DOES NOT REQUIRE HYDRANT AND VALVE KERB MARKINGS.**

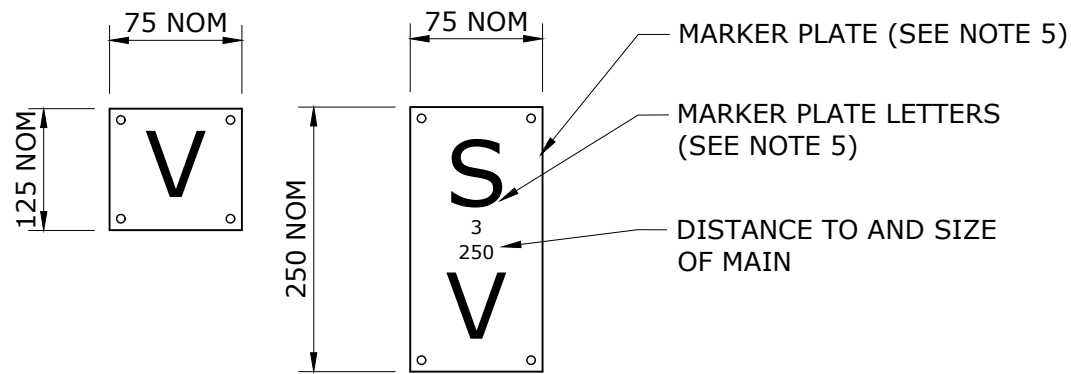
REV. No.	DATE	DESCRIPTION	AUTH.
A		BASED ON SEQ-WAT-1300-1 VERSION B DATED 31/03/2015	

**WBBROC WATER  
SERVICE PROVIDERS**

WORK PRACTICES MUST COMPLY WITH ALL APPLICABLE OCCUPATIONAL HEALTH & SAFETY LEGISLATION

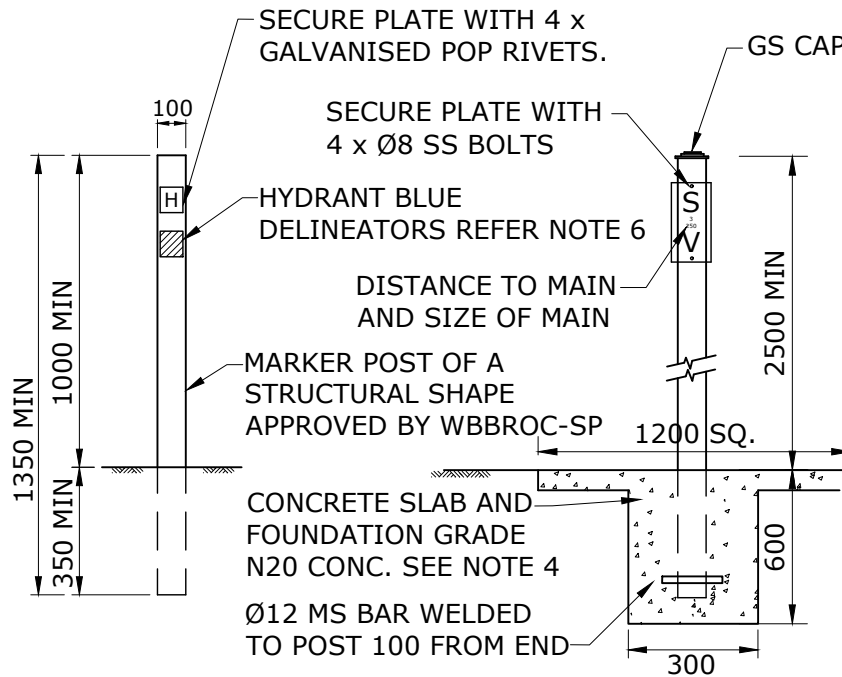
WATER SUPPLY STANDARD DRAWING  
TYPICAL VALVE AND HYDRANT  
ROAD AND PAVEMENT MARKERS

BRC	FCRC	GRC	NBRC	SBRC
DRAWING No.				VERSION
<b>WBB-WAT-1300-1</b>				<b>A</b>
NOT TO SCALE				ORG DATE:



**TYPICAL PLATE ARRANGEMENT**  
FIXED TO POST

APPROVED MARKER POST	
PARK INTERNATIONAL UTILITY MARKER SYSTEM POLYMER 1350 LONG X 100 WIDE X 4 THICK OR EQUAL	



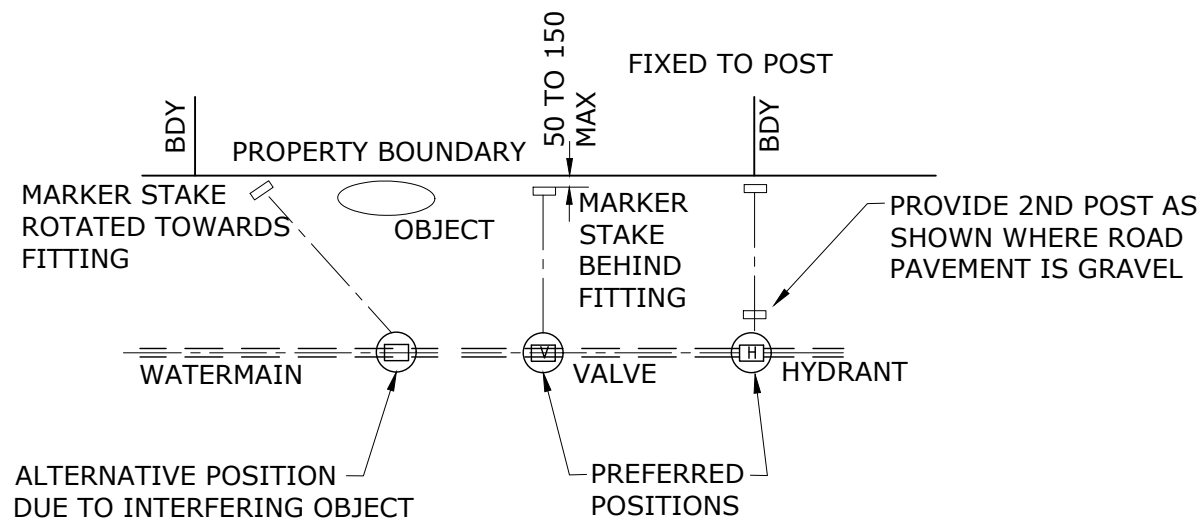
**MARKER POST**

**REMOTE AREA POST**

GALVANISED 50NB MILD STEEL TUBE C350LO  
(60.3 OD x 2.3 WALL THICKNESS)

MARKER PLATE CODES			
KERB	FACILITY	KERB	FACILITY
H	HYDRANT	V	VALVE
F	FLUSHING POINT	SC	SWABBING CHAMBER
AV	AIR VALVE	HL	HIGH LEVEL MAIN
SV	SCOUR VALVE	ML	MID LEVEL MAIN
SH	SWABBING HYDRANT	LL	LOW LEVEL MAIN
VB	VALVE BOX		

COLOUR CODES	
WHITE	VALVES, SCOUR VALVES SWABBING CHAMBERS, AIR VALVES
YELLOW	HYDRANTS, FLUSHING POINTS
RED	CLOSED ZONE / BOUNDARY VALVES
BLUE	DIALYSIS VALVES



**STREET POST POSITION AND ORIENTATION**  
(PAVEMENT MARKINGS, REFER WBB-WAT 1300-1)

**NOTES**

1. VALVE AND HYDRANT BOXES SHALL BE PAINTED OR COLOURED, REFER NOTES 1 AND 5 ON WBB-WAT-1300-1.
2. MARKER POSTS ARE REQUIRED WHERE DIFFERENT PRESSURE ZONE WATER RETICULATION EXISTS WITH THE MARKER PLATE DESIGNATING THE DIFFERENT PRESSURE ZONES.
3. MARKER POSTS ARE USED WHERE NO KERB AND CHANNEL EXISTS AND/OR WHERE A 2 COAT SPRAY SEAL EXISTS FOR THE WEARING SURFACE. THE MARKER POSTS SHALL BE POSITIONED AT THE FRONT OF THE PROPERTY BOUNDARY AND OPPOSITE THE FITTING.
4. REMOTE AREA POSTS SHALL BE USED WHERE NO STREET EXISTS AND SHALL BE PROVIDED WITH A 1200 X 1200 X 100 THICK CONCRETE SLAB AROUND THE FACILITY BOX.
5. NOTICE PLATES SHALL BE REFLECTORISED ALUMINIUM WITH BLACK LETTERING ON A WHITE BACKGROUND NOMINALLY 80 X 80.
6. IN ADDITION TO THE NOTICE PLATE MARKER, A BLUE DELINEATOR MARKER COMPLYING WITH MAIN ROADS SPECIFICATION ES126 SHALL BE INSTALLED AS DETAILED.
7. PLACEMENT OF ALL STREET FURNITURE SHALL CONFORM TO THE MANUAL OF UNIFORM TRAFFIC CONTROL DEVICES.

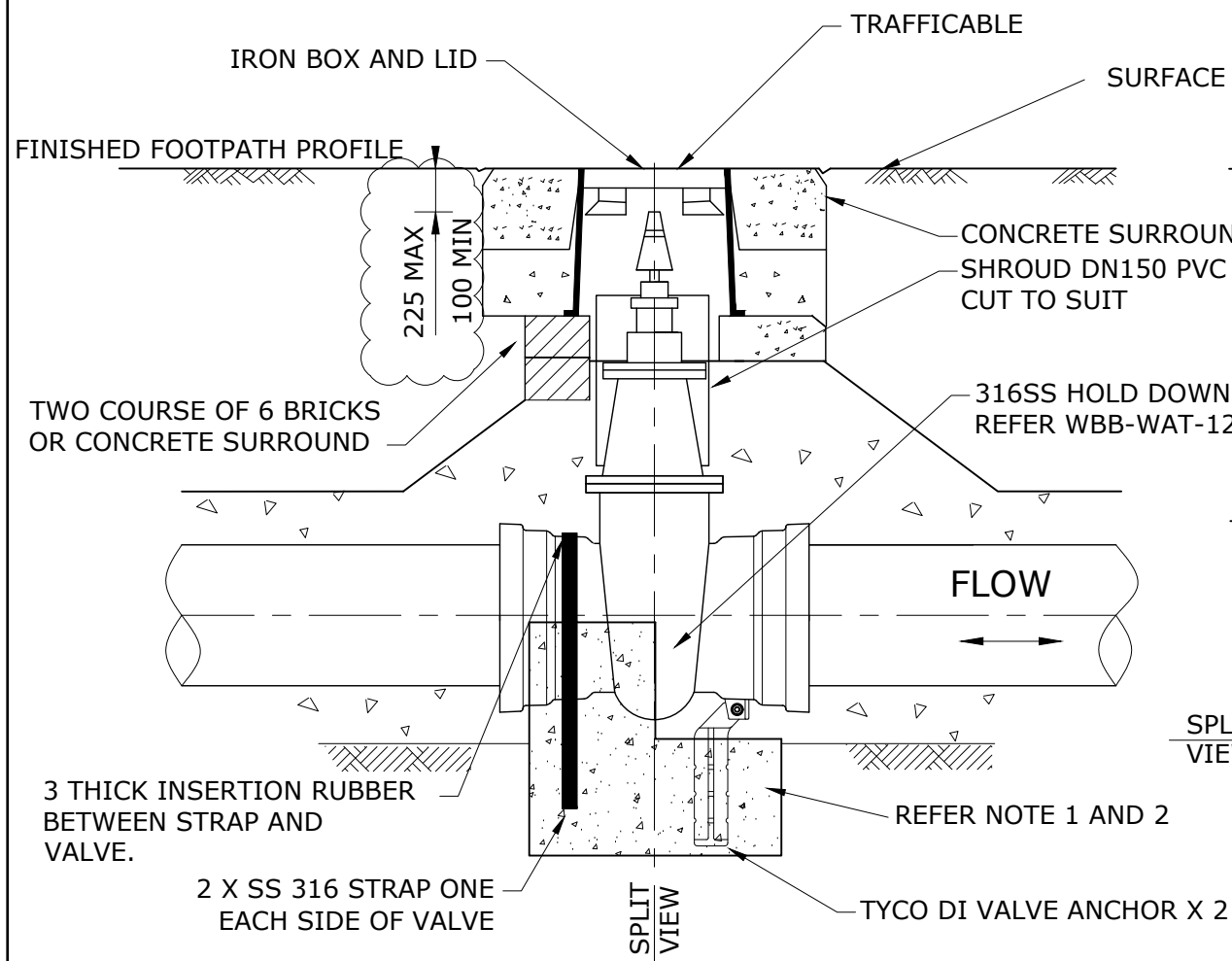
REV. No.	DATE	DESCRIPTION	AUTH.
A		BASED ON SEQ-WAT-1300-2 VERSION A DATED 1/1/2013	

**WBBROC WATER SERVICE PROVIDERS**

WORK PRACTICES MUST COMPLY WITH ALL APPLICABLE OCCUPATIONAL HEALTH & SAFETY LEGISLATION

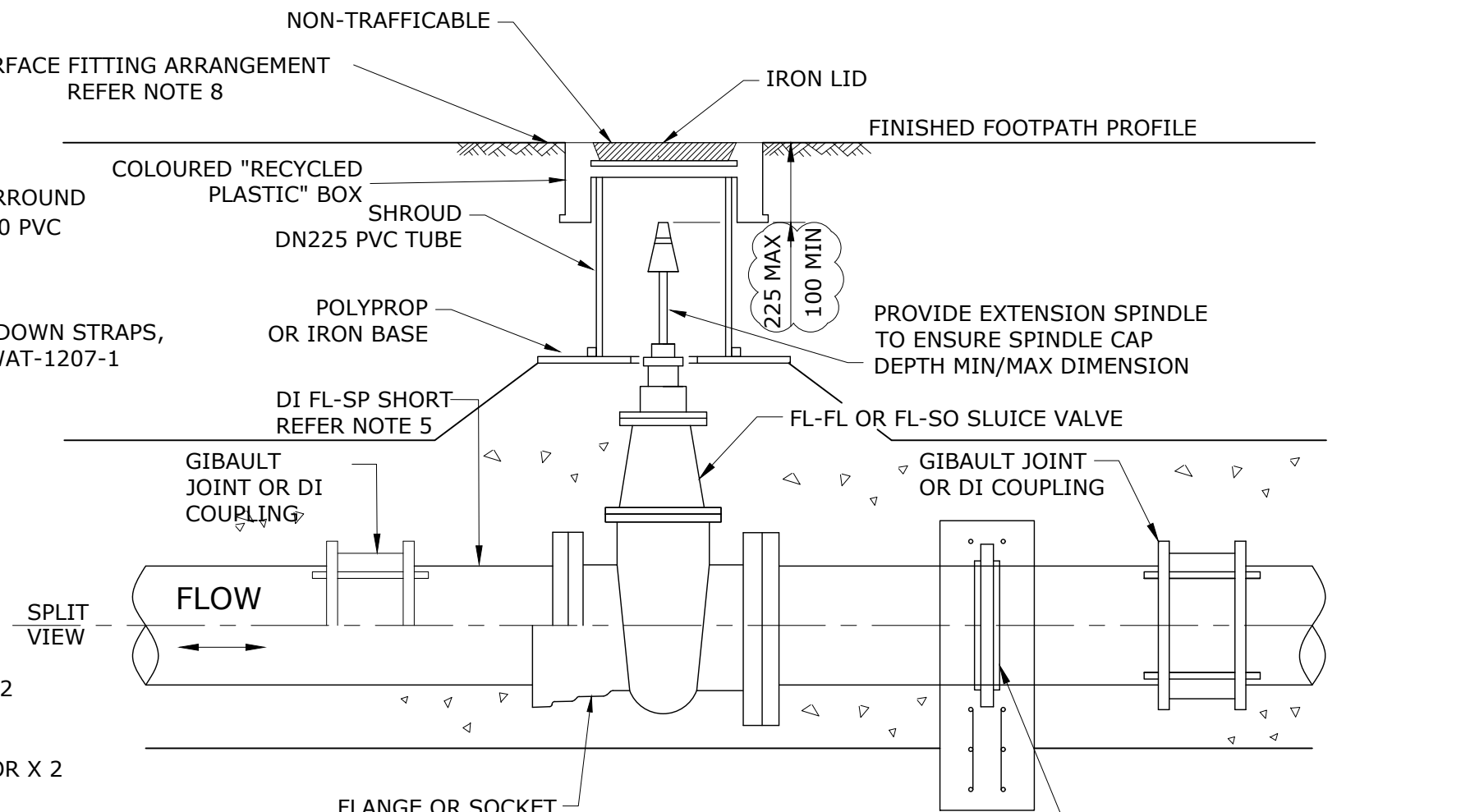
WATER SUPPLY STANDARD DRAWING  
TYPICAL VALVE AND HYDRANT IDENTIFICATION MARKER POSTS

BRC	FCRC	GRC	NBRC	SBRC
DRAWING No.				VERSION
<b>WBB-WAT-1300-2</b>				<b>A</b>
NOT TO SCALE				ORG DATE:

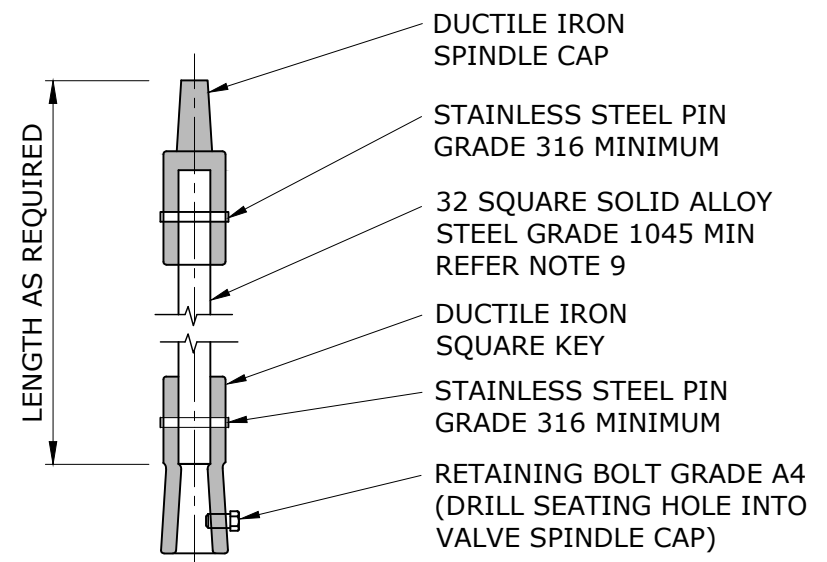


**SOCKETED SLUICE VALVES**  
 ≤DN300  
 (TRAFFICABLE VALVE BOX)

3 THICK INSERTION RUBBER BETWEEN STRAP AND VALVE.  
 2 X SS 316 STRAP ONE EACH SIDE OF VALVE



**SLUICE VALVE**  
 ≤ DN375  
 (NON TRAFFICABLE VALVE BOX)



**VALVE SPINDLE EXTENSION**  
 REFER NOTE 10

**NOTES**

1. THRUST BLOCK DETAILS REFER WBB-WAT-1206-1.
2. THRUST BLOCK REINFORCEMENT AS SPECIFIED IN WBB-WAT-1206-1 OR WITHIN DESIGN DRAWINGS.
3. INSTALL PUDDLE FLANGES ON FLANGE CLASS DI CL PIPE.
4. SOC-SOC VALVES THRUST AREA TO BE AS SHOWN IN WBB-WAT-1206-1.
5. FLANGED SHORTS MAY BE SPIGOTED OR SOCKETED.
6. WHERE DI PIPES AND FITTINGS WITH RESTRAINED JOINTS AND PIPE SYSTEM IS USED, THRUST BLOCKS MAY NOT BE REQUIRED, SEE WBB-WAT-1208-1.
7. VALVE ANCHOR BLOCKS TO BE SIZED FOR A TEST PRESSURE OF 1200 kPa
8. FOR SURFACE BOX DETAILS REFER WBB-WAT-1305-1 AND WBB-WAT-1306-1.
9. SOLID CAST DUCTILE IRON ACCEPTABLE. WELDED EXTENSION SPINDLES NOT ACCEPTABLE.
10. EXTENSION SPINDLES WITHIN CONCRETE VALVE PITS SHALL BE SUPPORTED AT THE SPINDLE CAP AND EVERY 1800.
11. VALVES LARGER THAN DN 375 MAY BE DIRECTLY BURIED WITH INSTALLATION ASSEMBLY AND THRUST RESTRAINT SHOWN IN DESIGN DRAWINGS, REFER WBB-WAT-1206-1 FOR THRUST RESTRAINT GUIDANCE.
12. DIMENSIONS ARE IN MILLIMETERS UNLESS SHOWN OTHERWISE.
13. VALVE BOX DETAIL FOR TRAFFICABLE INSTALLATIONS TO BE APPROVED BY WBBROC-SP.

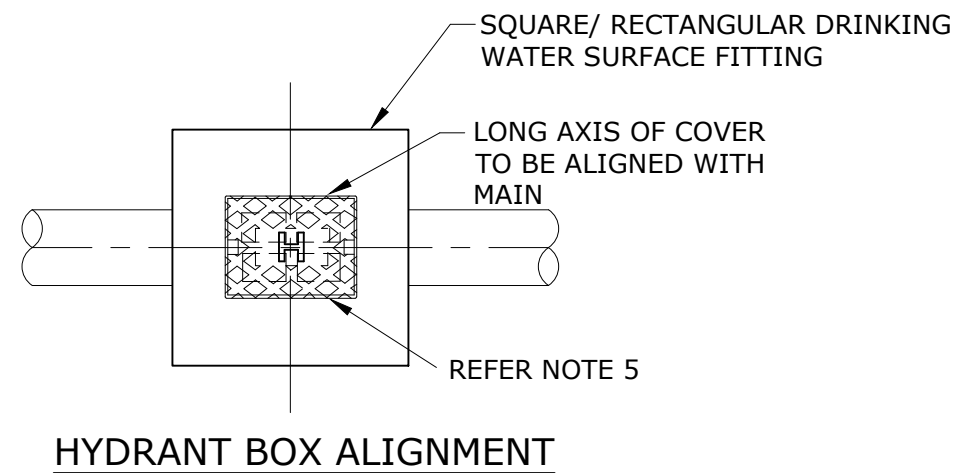
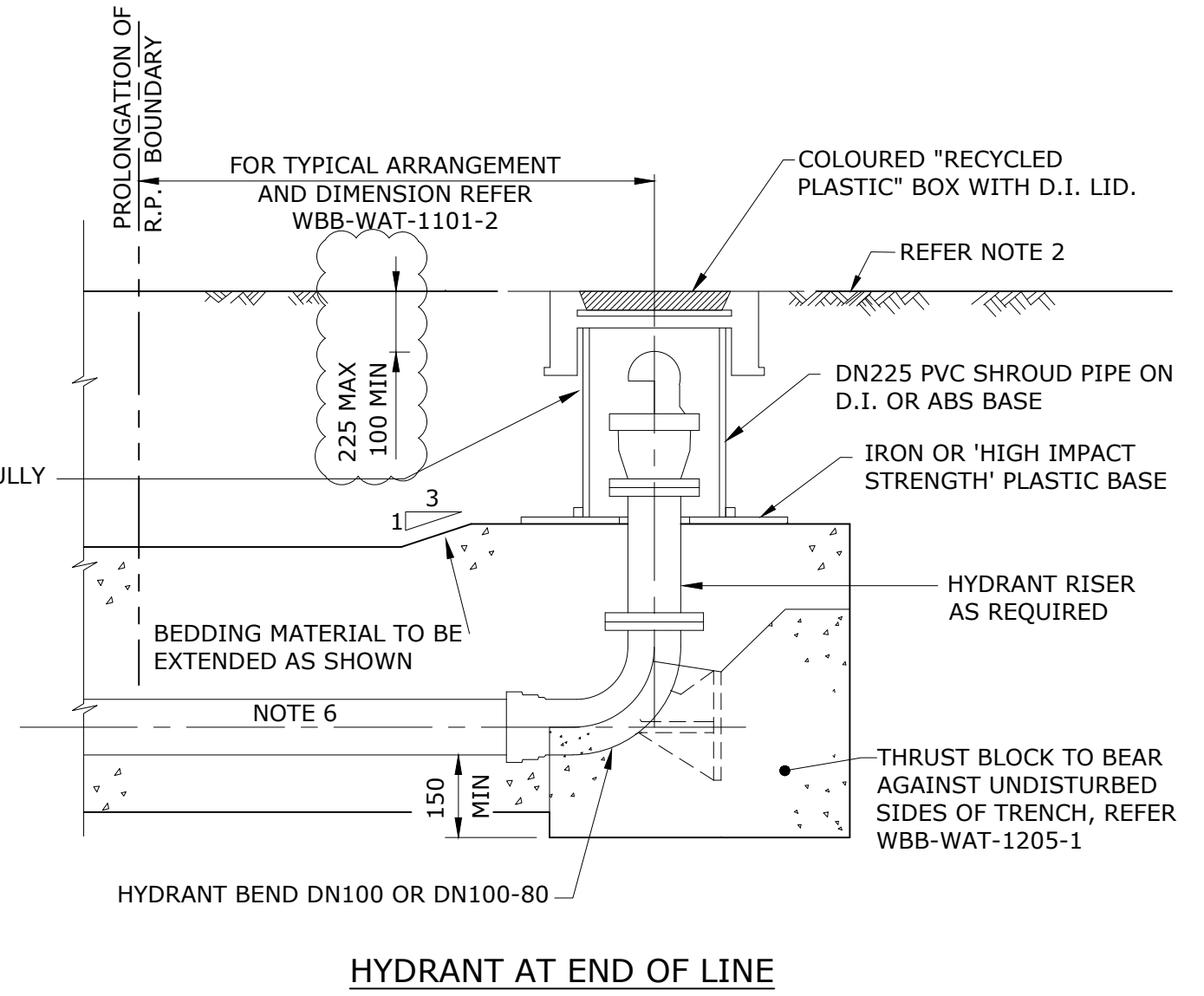
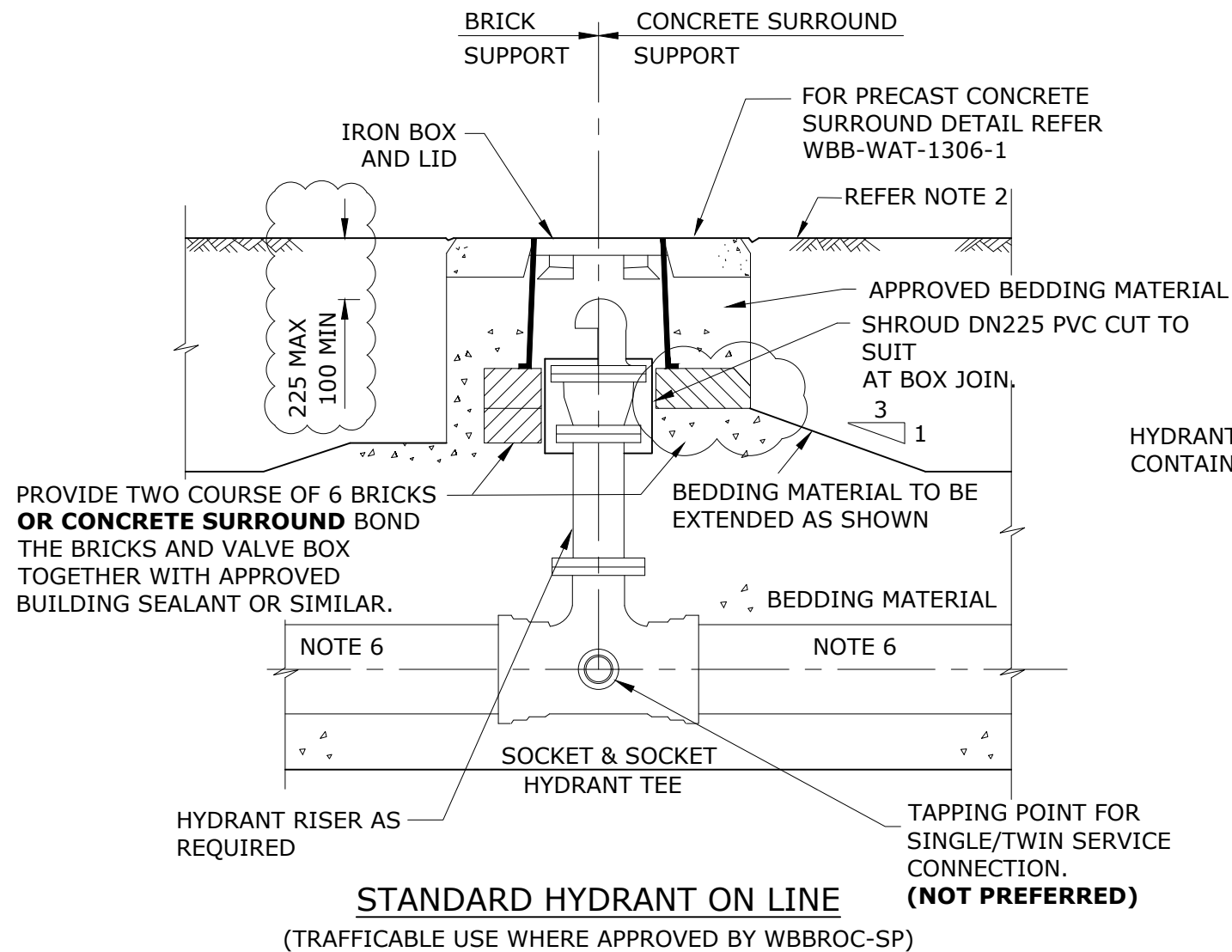
REV. No.	DATE	DESCRIPTION	AUTH.
A		BASED ON SEQ-WAT-1301-1 VERSION A DATED 1/1/2013	

**WBBROC WATER SERVICE PROVIDERS**

WORK PRACTICES MUST COMPLY WITH ALL APPLICABLE OCCUPATIONAL HEALTH & SAFETY LEGISLATION

WATER SUPPLY STANDARD DRAWING  
 TYPICAL VALVE AND HYDRANT INSTALLATION  
 VALVE ARRANGEMENT

BRC	FCRC	GRC	NBRC	SBRC
DRAWING No.				VERSION
<b>WBB-WAT-1301-1</b>				<b>A</b>
NOT TO SCALE				ORG DATE:



**NOTES**

1. EITHER PRECAST CONCRETE SURROUNDS/SUPPORTS AND/OR BRICK SUPPORT OR RECYCLED PLASTIC BOX ARE ACCEPTABLE.
2. ALL CONCRETE SURROUNDS AND PLASTIC BOXES SHALL BE LAID TO THE FINISHED PROFILE OF THE FOOTPATH VERGE.
3. FOR PRECAST CONCRETE SURROUND/SUPPORT AND BRICK SUPPORT DETAILS REFER WBB-WAT-1305-1 AND 1306-1.
4. FOR TYPICAL HYDRANT MARKING ARRANGEMENT REFER WBB-WAT-1300 SET.
5. BOX COVERS FOR HYDRANTS SHALL HAVE "H" MARKED ON TOP.
6. FOR WBBROC AREAS PROVIDE HYDRANT ADJACENT TO SCOUR AS SHOWN IN WBB-WAT-1307-2.
7. DIMENSIONS ARE IN MILLIMETRES UNLESS SHOWN OTHERWISE.
8. **DELETED.**
9. **DELETED.**
10. HYDRANT TO BE PLACED ON RISER OR FITTING SO THAT THE LUGS/CLAWS ARE ON EITHER SIDE OF THE MAIN.
11. **HYDRANT BOX DETAIL APPLICABLE FOR ALL NON-TRAFFICABLE AREAS.**

REV. No.	DATE	DESCRIPTION	AUTH.
A		BASED ON SEQ-WAT-1302-1 VERSION A DATED 1/1/2013	

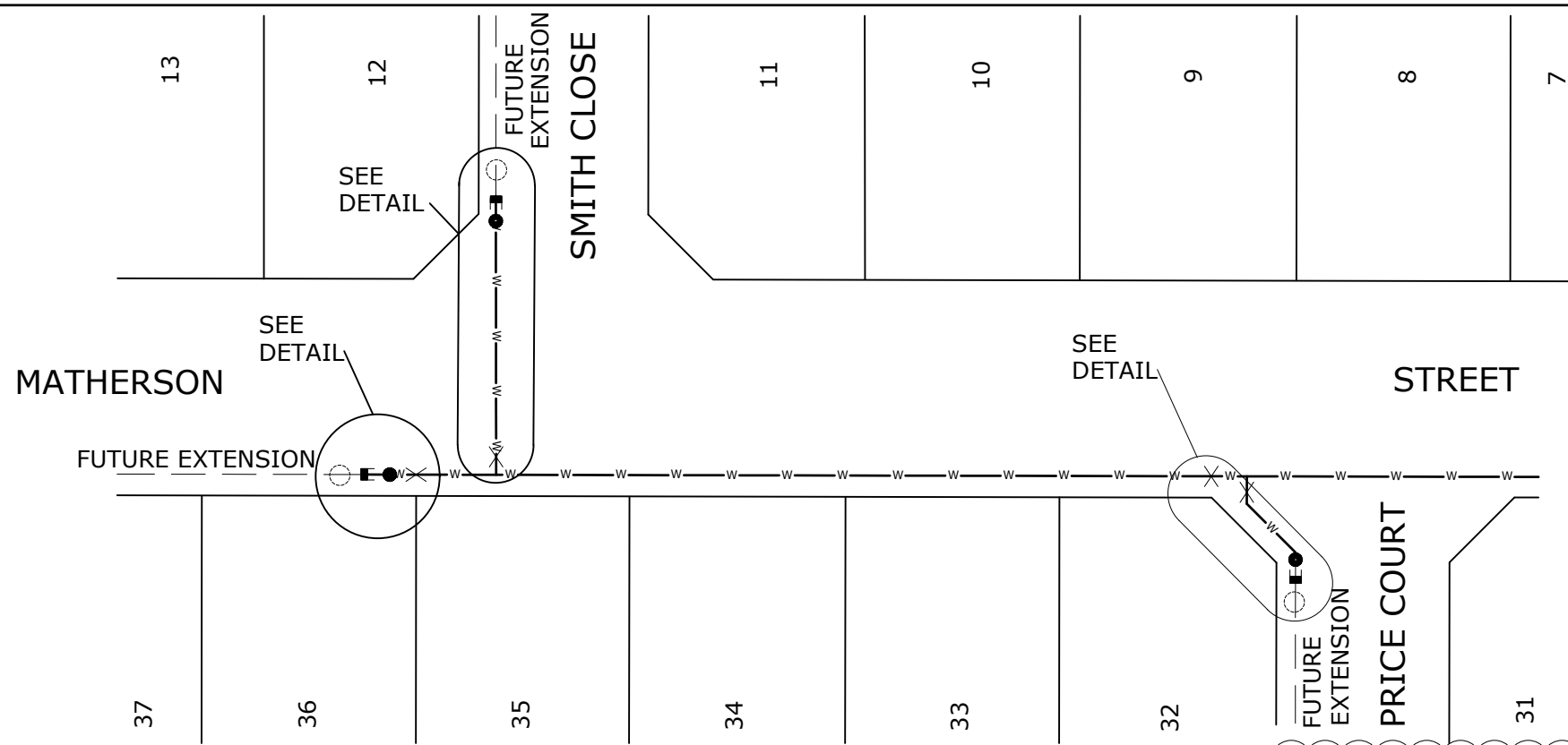
**WBBROC WATER SERVICE PROVIDERS**

WORK PRACTICES MUST COMPLY WITH ALL APPLICABLE OCCUPATIONAL HEALTH & SAFETY LEGISLATION

WATER SUPPLY STANDARD DRAWING  
TYPICAL HYDRANT INSTALLATION

BRC	FCRC	GRC	NBRC	SBRC
DRAWING No.				VERSION
<b>WBB-WAT-1302-1</b>				<b>A</b>
NOT TO SCALE				ORG DATE:

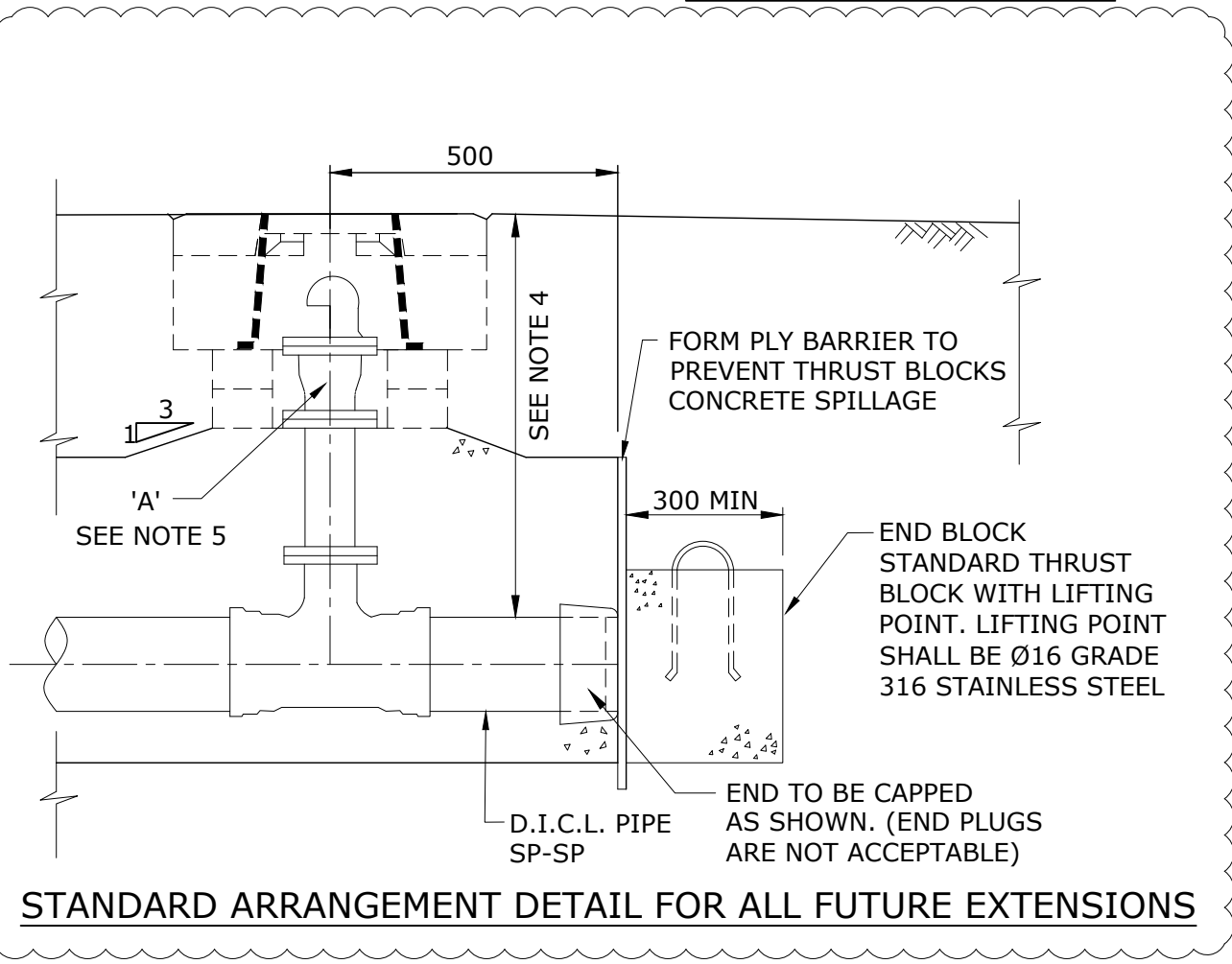




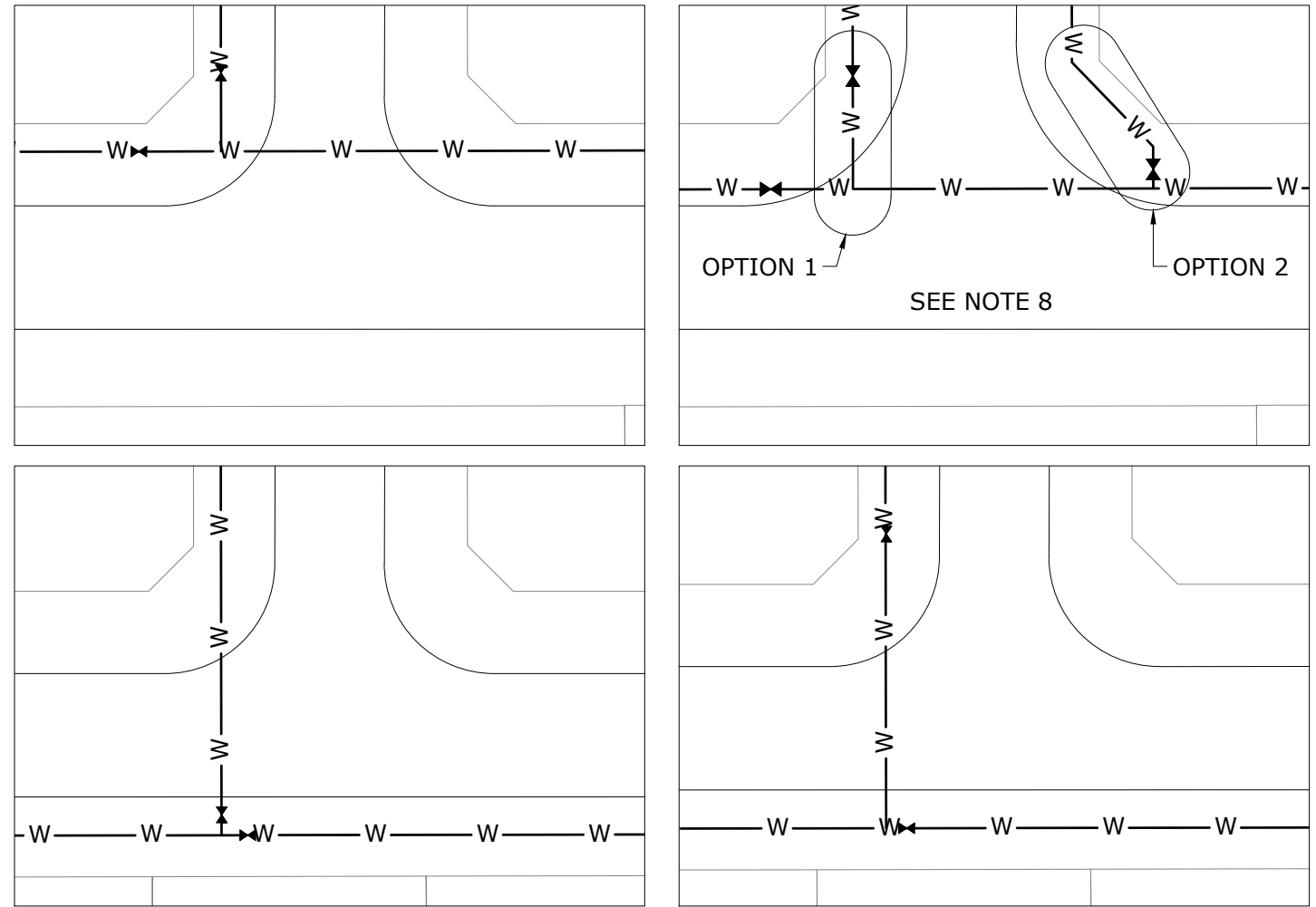
**NOTES**

1. FUTURE EXTENSIONS THAT CROSS A ROADWAY SHALL PROVIDE THE FL-FL VALVE TO THE FL MAIN TEE AND SHALL THRUST RESTRAIN THE VALVE AS SHOWN FOR A SOC-SOC VALVE IN WBB-WAT-1206-1.
2. FOR PE PIPES REFER TO WBB-WAT-1102-1 AND 1105-1.
3. HYDRANT DETAILS REFER TO WBB-WAT-1302-1.
4. INSTALLATION TOLERANCE FOR FUTURE EXTENSION MAIN IS 200 HORIZONTAL AND 150 VERTICAL.
5. HYDRANT SPACING SHALL COMMENCE FROM HYDRANT 'A'.
6. FOR TRUNK MAINS WITHOUT PERMANENT HYDRANTS, THE DESIGN SHALL NOMINATE THE FITTING ASSEMBLIES REQUIRED FOR COMMISSIONING OF THE FUTURE EXTENSION AND THEIR STATUS FOLLOWING LIVE CONNECTION.
7. **DELETED.**
8. **USE OPTION 1 FOR BRC AND OPTION 2 FOR ALL OTHER WBBROC SERVICE PROVIDERS.**

**TYPICAL ARRANGEMENT**



**STANDARD ARRANGEMENT DETAIL FOR ALL FUTURE EXTENSIONS**



**TYPICAL VALVE LOCATIONS**

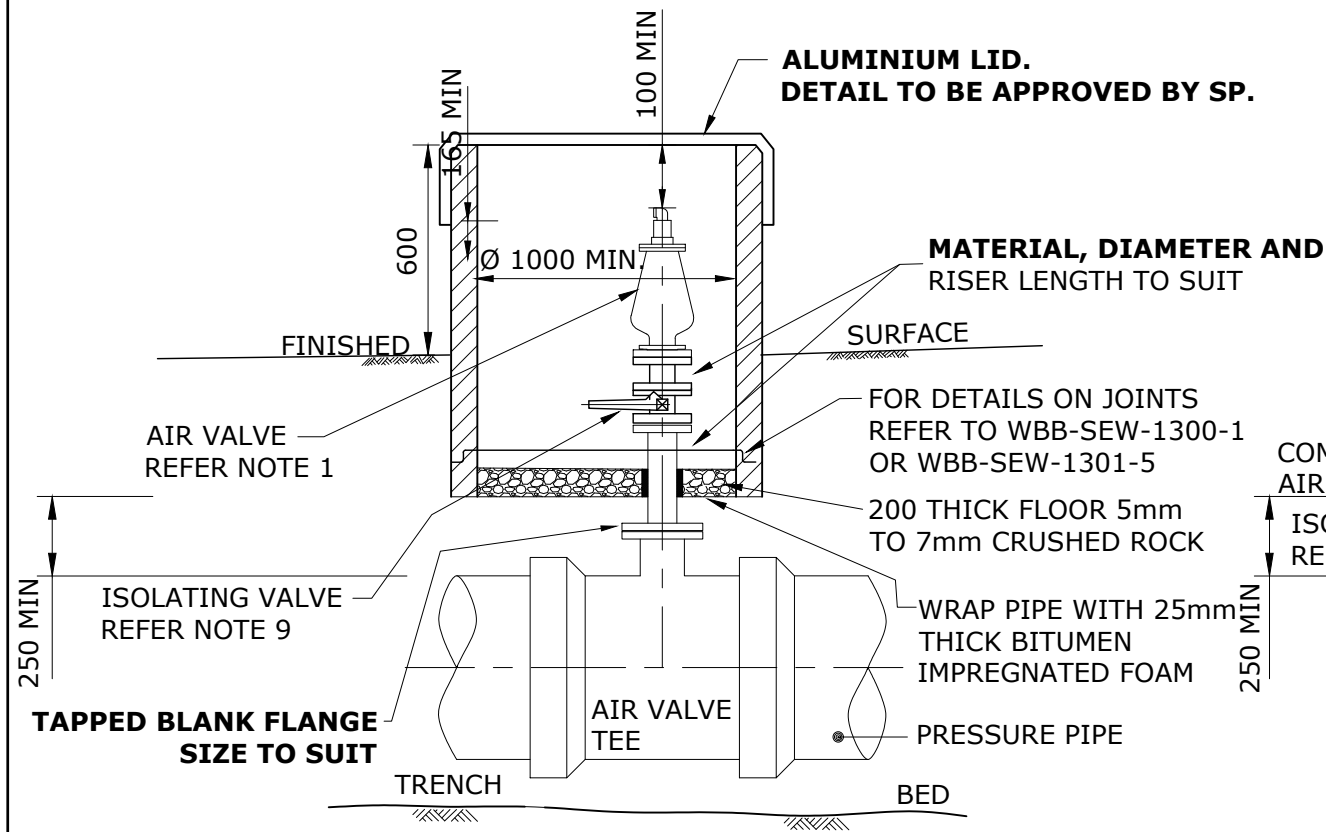
REV. No.	DATE	DESCRIPTION	AUTH.
A		BASED ON SEQ-WAT-1303-1 VERSION A DATED 1/1/2013	

**WBBROC WATER SERVICE PROVIDERS**

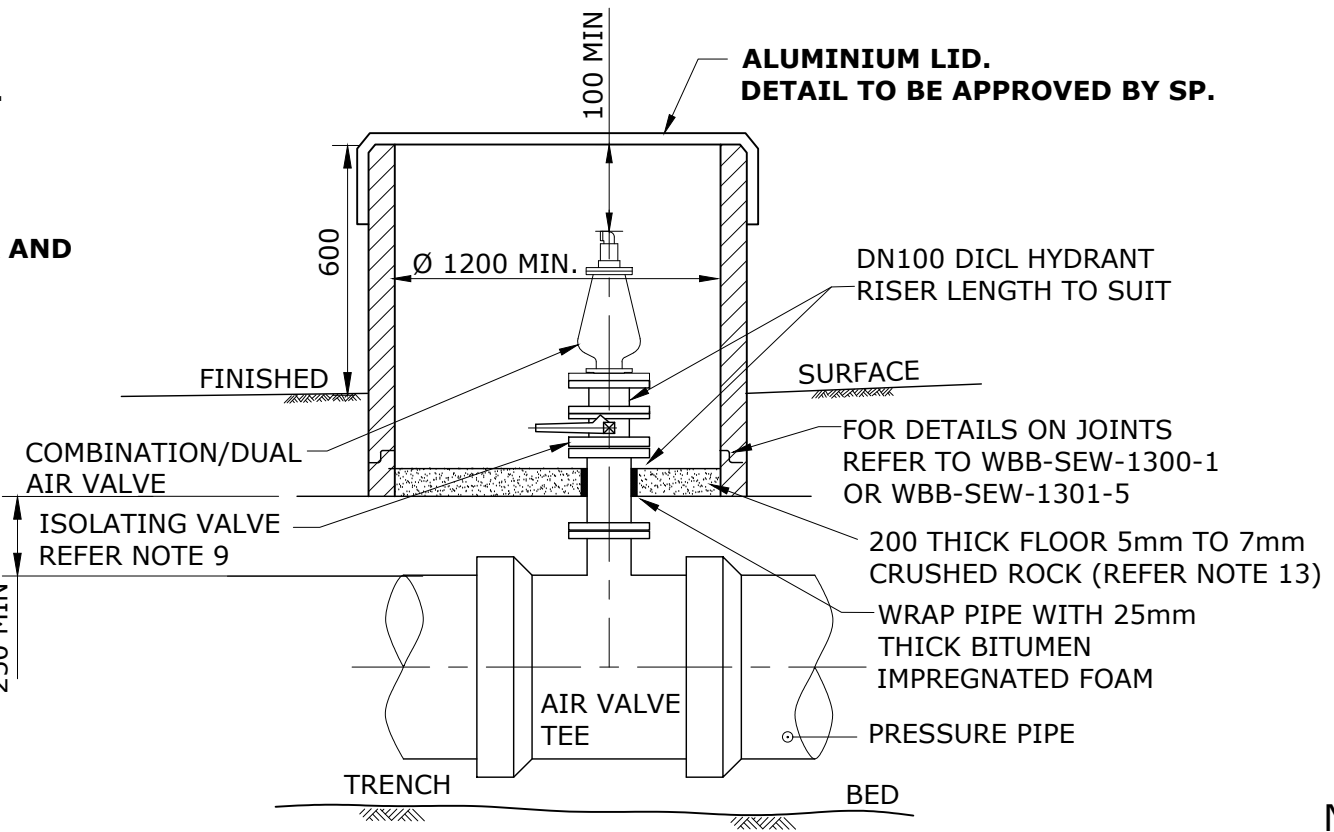
WORK PRACTICES MUST COMPLY WITH ALL APPLICABLE OCCUPATIONAL HEALTH & SAFETY LEGISLATION

WATER SUPPLY STANDARD DRAWING  
TYPICAL VALVE AND HYDRANT INSTALLATION  
FUTURE EXTENSION INSTALLATION

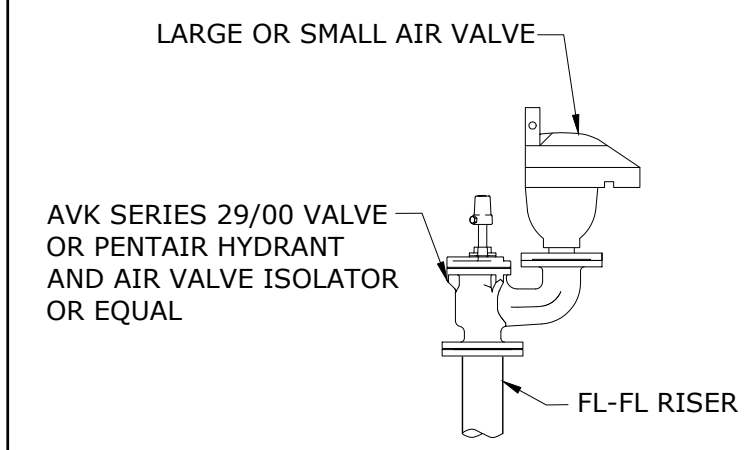
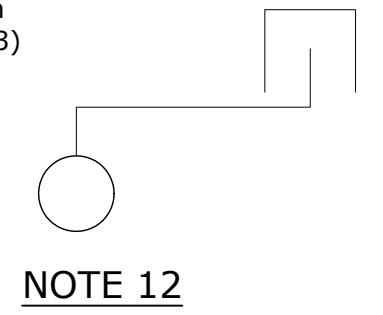
BRC	FCRC	GRC	NBRC	SBRC
DRAWING No.				VERSION
<b>WBB-WAT-1303-1</b>				<b>A</b>
NOT TO SCALE				ORG DATE:



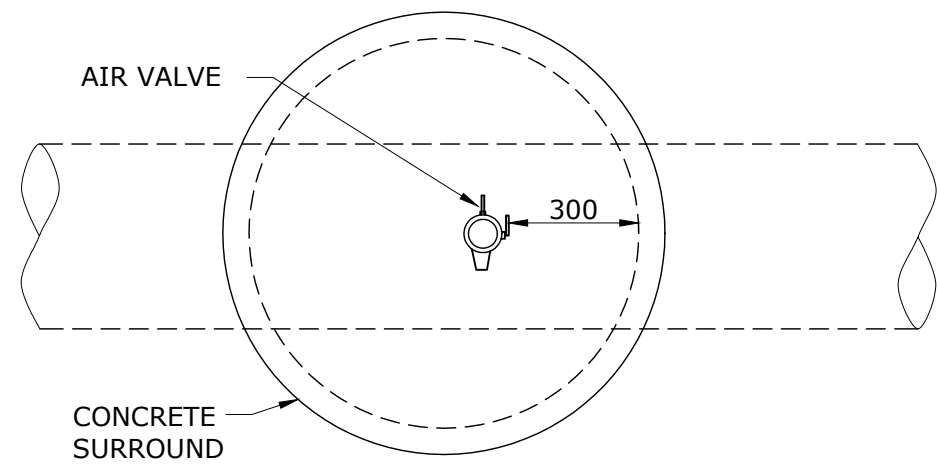
**REFER NOTE 14**  
**Ø25 TO Ø40 AIR VALVE INSTALLATION**



**Ø50 AND LARGER AIR VALVE INSTALLATION**



**PREFERRED OPTION FOR Ø50 AND LARGER AIR VALVE**



**AIR VALVE PRESENTATION**

**NOTES**

1. AIR VALVES SHALL COMPLY WITH THE CODES SPECIFICATION.
2. THE FULL LENGTH OF THE DICL RISER PIPE INCLUDING FLANGES SHALL BE EPOXY COATED APPLIED IN ACCORDANCE WITH THE CODE.
3. ALL CONCRETE SHALL BE CLASS N25 IN ACCORDANCE WITH AS 3600.
4. PROVIDE A FINE NON-SLIP SURFACE WITH A WOOD FLOAT TO THE TOP SURFACE OF ALL CONCRETE.
5. COMPACTED BEDDING MATERIAL SHALL BE BROUGHT UP TO THE UNDERSIDE OF THE AIR VALVE PIT.
6. AIR VALVES SHALL BE PLACED ON THE HIGH POINT OF ALL TRUNK MAINS.
7. VENT PIPE LOCATION SHALL BE IN ACCORDANCE WITH THE DESIGN PLACEMENT OR DETERMINED ON SITE BY THE SUPERINTENDENT.
8. ALL FLANGES SHALL BE IN ACCORDANCE WITH AS 4087 - FIG B5, UNLESS NOTED OTHERWISE ON THE JOB DRAWINGS.
9. BUTTERFLY VALVES SHALL BE LUGGED AND THREADED SIMILAR TO KEYSTONE FIG F22 TYPE OR EQUAL ALTERNATIVE ISOLATION VALVES AS SHOWN ARE ACCEPTABLE.
10. INSTALLATIONS SHOWN ARE FOR NON-TRAFFICABLE LOCATIONS. WHERE AGREED BY WBBROC-SP, ALUMINIUM WATER PUMP STATION PIT LIDS MAY BE USED FOR VERGE OR ON-LOT LOCATIONS.
11. DIMENSIONS ARE IN MILLIMETRES UNLESS SHOWN OTHERWISE.
12. **OFFSET AIR VALVE IF NOT POSSIBLE TO INSTALL PIT ABOVE PRESSURE PIPE.**
13. **USE CONCRETE BASE IN AREA WITH HIGH WATER TABLE.**
14. **IF APPROVED BY THE SP, A TAPPING BAND CAN BE USED FOR SMALLER DIAMETER MAINS.**

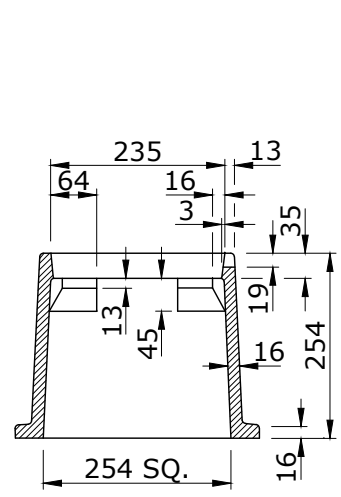
REV. No.	DATE	DESCRIPTION	AUTH.
A		BASED ON SEQ-WAT-1304-1 VERSION A DATED 1/1/2013	

**WBBROC WATER SERVICE PROVIDERS**

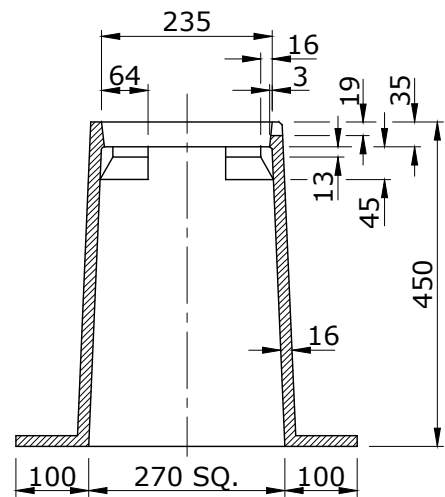
WORK PRACTICES MUST COMPLY WITH ALL APPLICABLE OCCUPATIONAL HEALTH & SAFETY LEGISLATION

WATER SUPPLY STANDARD DRAWING  
TYPICAL AIR VALVE INSTALLATION  
FOR TRUNK MAIN

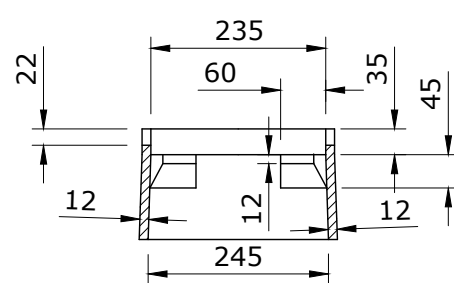
BRC	FCRC	GRC	NBRC	SBRC
DRAWING No.				VERSION
<b>WBB-WAT-1304-1</b>				<b>A</b>
NOT TO SCALE				ORG DATE: 1/1/2013



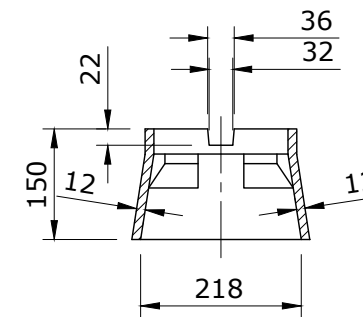
**SECTIONAL ELEVATION**



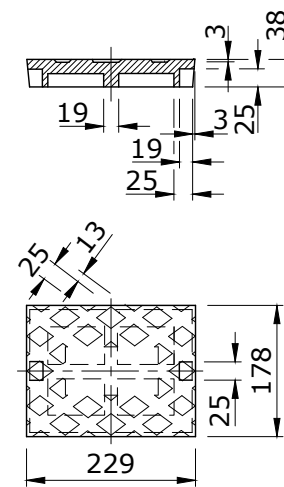
**SECTIONAL ELEVATION**



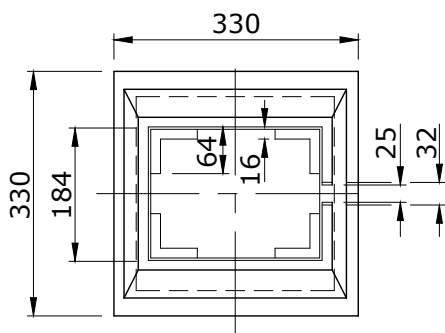
**SECTION B**



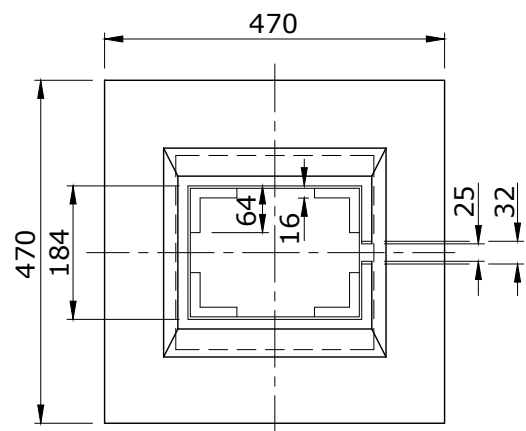
**SECTION C**



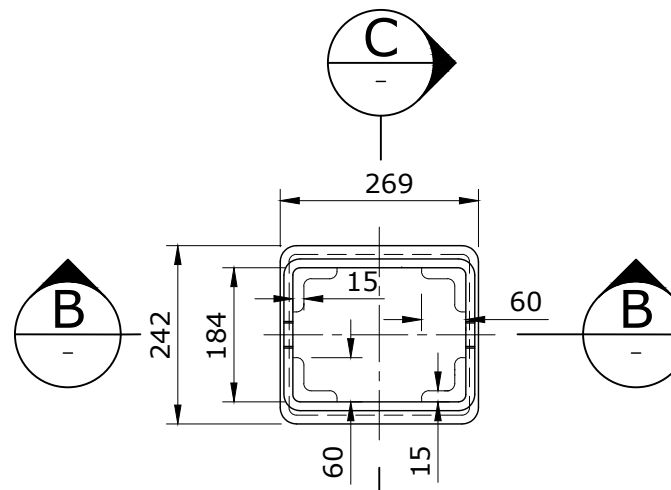
**COVERS**



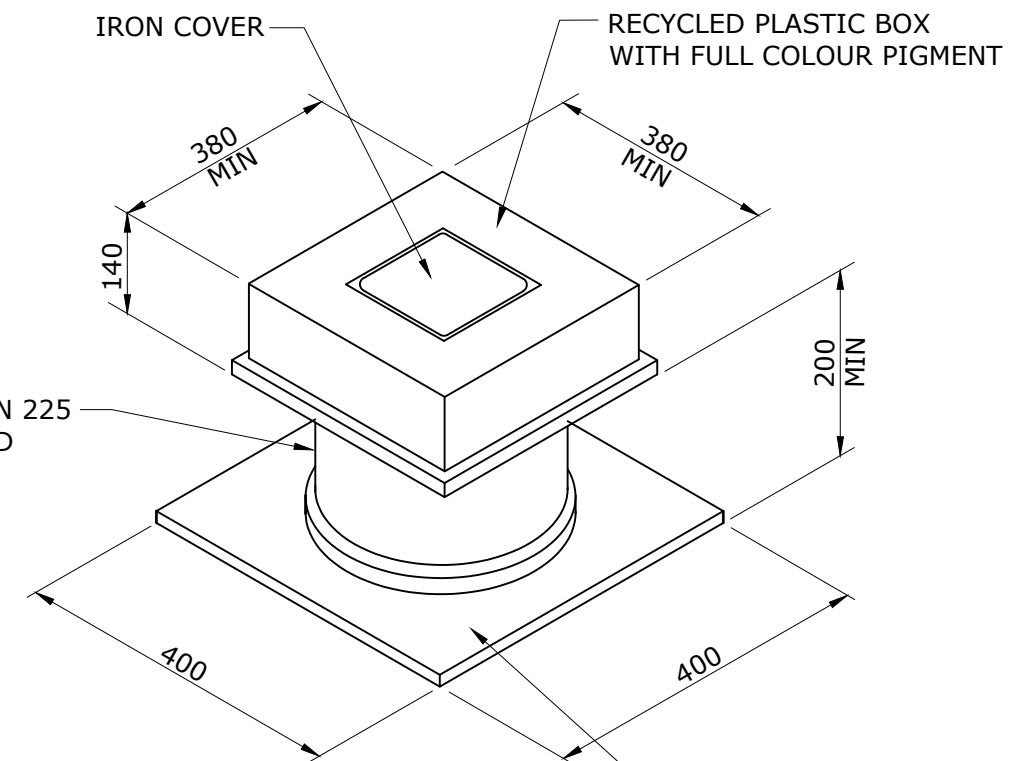
**PLAN TYPE 'B' (TRAFFICABLE)**



**PLAN TYPE 'C' (TRAFFICABLE)**



**PLAN TYPE 'D' (NON-TRAFFICABLE)**



**TYPE 'A' (NON-TRAFFICABLE)**

**VALVE/HYDRANT BOX NOTES**

1. ALL CAST IRON COMPONENTS SHALL COMPLY WITH AS.1830 AND SHALL BE GRADE T220.
2. ALL DUCTILE IRON COMPONENTS SHALL COMPLY WITH AS.1831 GRADE 400/12.
3. BOXES SHALL BE MANUFACTURED WITH A TOTAL MAXIMUM WEIGHT OF 50kg.
4. TYPE 'A' BOXES SHALL BE PROVIDED AT FIRE HYDRANTS AND VALVE INSTALLATIONS UNLESS DIRECTED OTHERWISE BY THE DRAWINGS.
5. A BITUMASTIC BASE MATERIAL SHALL BE APPLIED TO ALL IRON BOXES AND COVERS WHEN THEY ARE IN CLEAN, DRY AND RUST FREE CONDITION.
6. WHEN INSTALLED THE LID AND SURROUND OF THE BOX SHALL BE PAINTED TO THE DETAILS SHOWN IN THE WBB-WAT-1300 SET.
7. COVER, FRAME, SHROUD & SHROUD SUPPORT TO BE INSTALLED SO THAT NO LOADING IS TRANSMITTED TO THE VALVE OR PIPE, REFER WBB-WAT-1301-1 AND WBB-WAT-1302-1.
8. FOR NON TRAFFICABLE APPLICATIONS ELEVATE COVER UP TO 50 ABOVE FINISHED SURFACE LEVEL AND GRADE SOIL AWAY TO PREVENT WATER ENTRY.
9. DIMENSIONS ARE IN MILLIMETRES UNLESS SHOWN OTHERWISE.

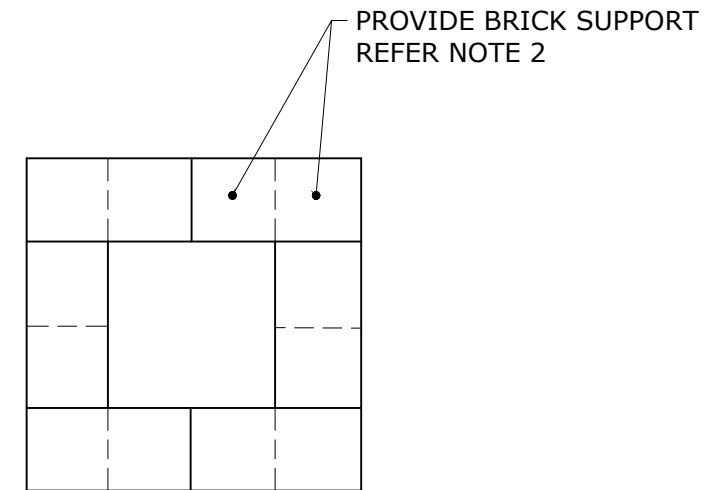
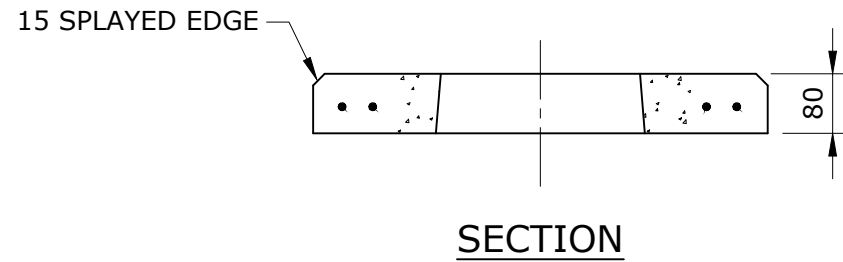
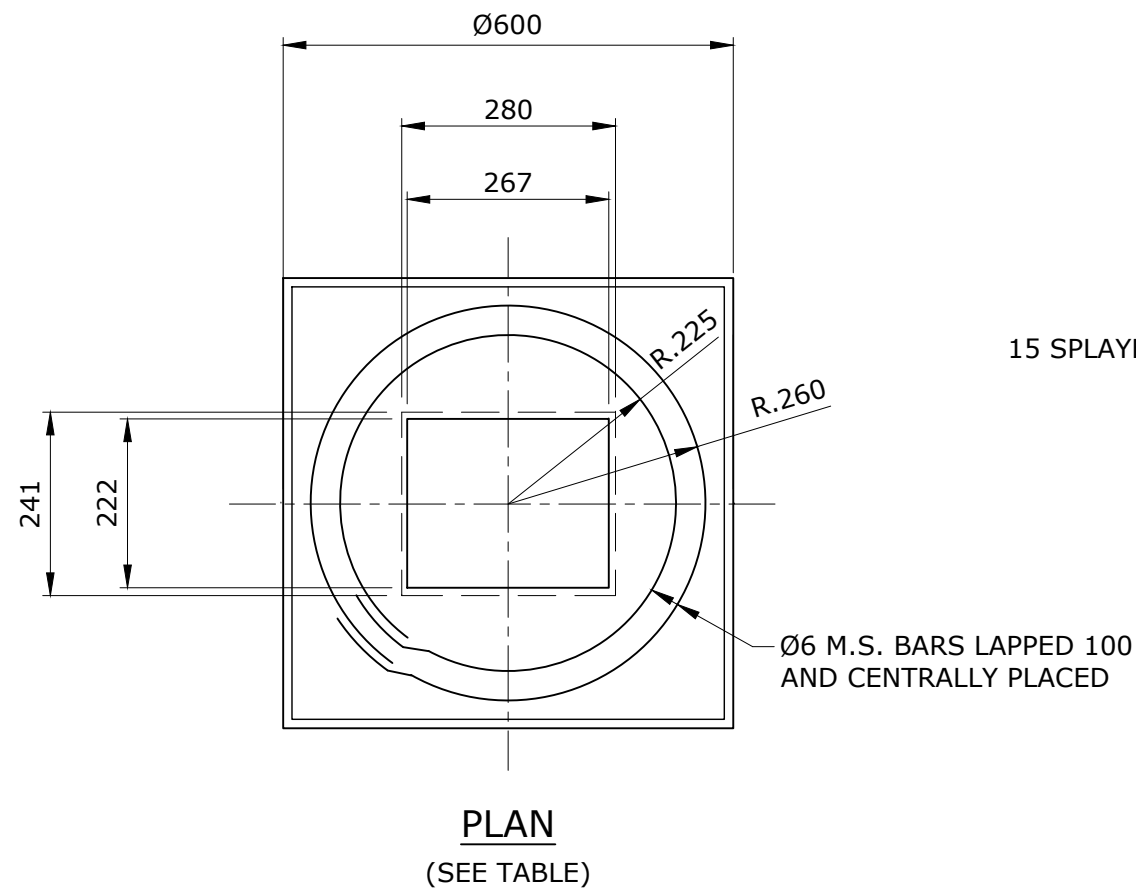
REV. No.	DATE	DESCRIPTION	AUTH.
A		BASED ON SEQ-WAT-1305-1 VERSION A DATED 1/1/2013	

**WBBROC WATER SERVICE PROVIDERS**

WORK PRACTICES MUST COMPLY WITH ALL APPLICABLE OCCUPATIONAL HEALTH & SAFETY LEGISLATION

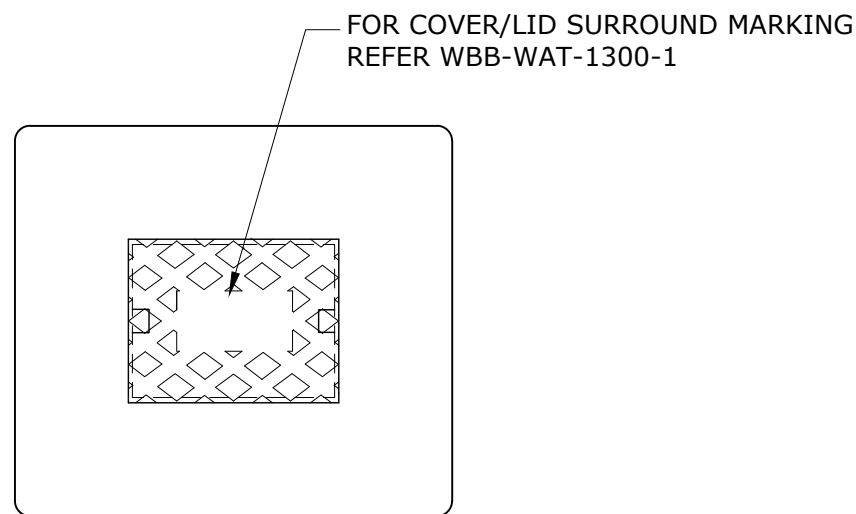
WATER SUPPLY STANDARD DRAWING  
TYPICAL SURFACE FITTING INSTALLATION  
VALVE AND HYDRANT SURFACE BOXES  
TRAFFICABLE AND NON-TRAFFICABLE

BRC	FCRC	GRC	NBRC	SBRC
DRAWING No.				VERSION
<b>WBB-WAT-1305-1</b>				<b>A</b>
NOT TO SCALE				ORG DATE:



**PRECAST CONCRETE SURROUND  
AND SUPPORT DETAILS**

**BRICK SUPPORT LAYOUT  
(NOT PREFERRED)**



**SURFACE FITTING ARRANGEMENT**

**NOTES**

1. BOTH PRECAST CONCRETE SURROUND AND BRICK SUPPORT DETAILS SHOWN ARE ACCEPTABLE.
2. BRICK SUPPORTS SHALL BE A MINIMUM TWO COURSES AND LAID DRY OVER THE BEDDING MATERIAL. APPLY BUILDING SEALANT OR SIMILAR TO BOND BRICKS TOGETHER AND TO THE VALVE/HYDRANT BOX.
3. FOR HYDRANTS AND FLUSHING POINTS THE CONCRETE SURROUND AND LID SHALL BE PAINTED IN ACCORDANCE WITH THE COLOUR CODE SHOWN ON WBB-WAT-1300-1.
4. FOR VALVES AND OTHER FITTINGS THE CONCRETE SURROUND AND LID SHALL BE PAINTED WITH APPROVED REFLECTIVE PAINT IN ACCORDANCE WITH THE COLOUR CODE SHOWN ON WBB-WAT-1300-1.
5. CONCRETE TO BE GRADE N25.
6. DIMENSIONS ARE IN MILLIMETRES UNLESS SHOWN OTHERWISE.

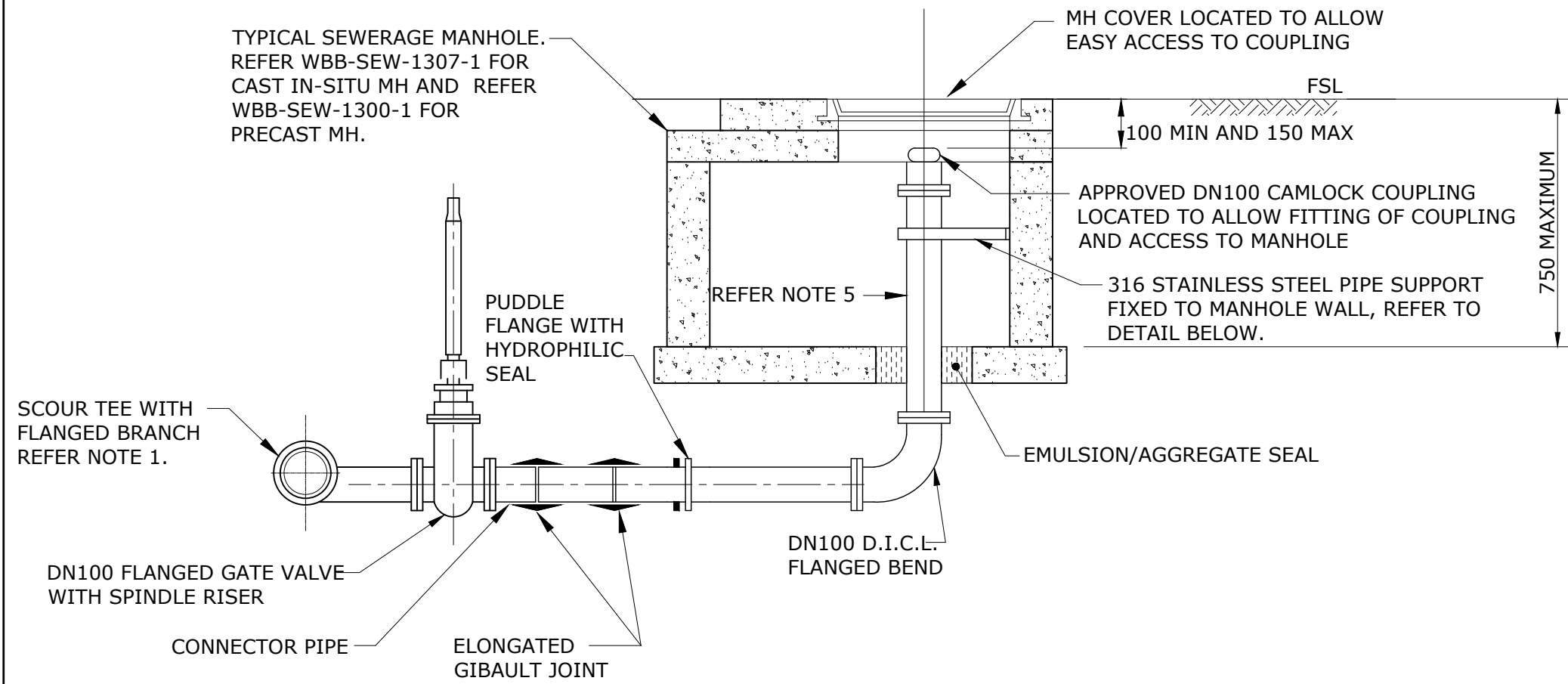
REV. No.	DATE	DESCRIPTION	AUTH.
A		BASED ON SEQ-WAT-1306-1 VERSION A DATED 1/1/2013	

**WBBROC WATER  
SERVICE PROVIDERS**

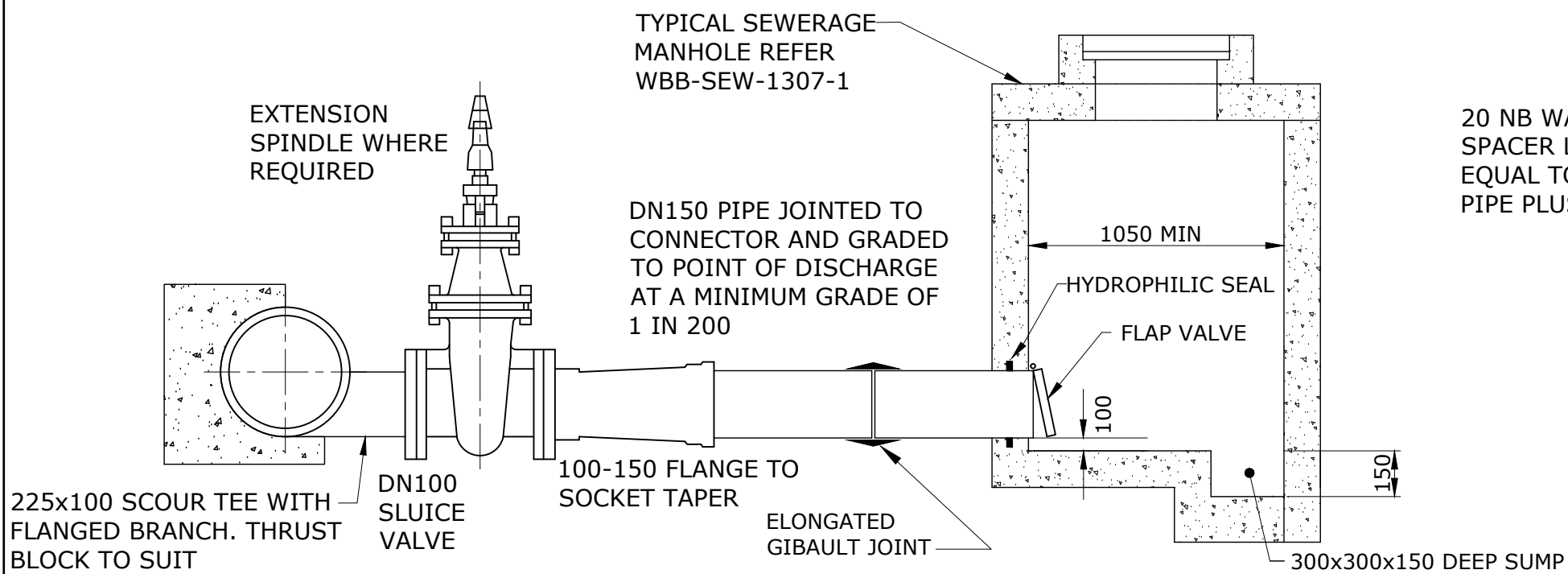
WORK PRACTICES MUST COMPLY WITH ALL APPLICABLE  
OCCUPATIONAL HEALTH & SAFETY LEGISLATION

WATER SUPPLY STANDARD DRAWING  
TYPICAL SURFACE FITTING INSTALLATION  
VALVE AND HYDRANT SURFACE BOXES  
SUPPORT AND SURROUND DETAILS

BRC	FCRC	GRC	NBRC	SBRC
DRAWING No.				VERSION
<b>WBB-WAT-1306-1</b>				<b>A</b>
NOT TO SCALE				ORG DATE:



**SCOUR VALVE WITH TANKER CONNECTION TYPE A**



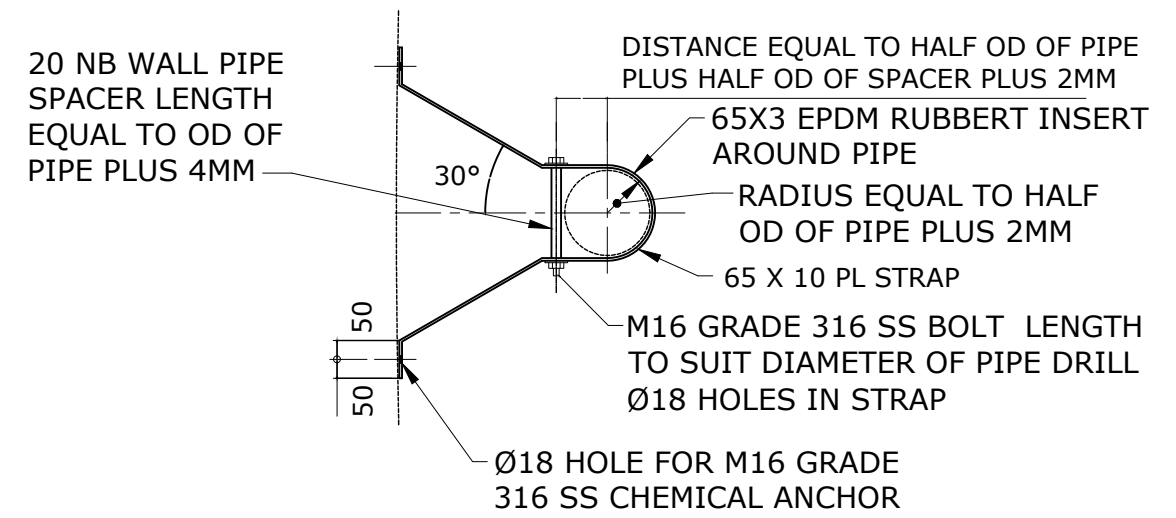
**SCOUR VALVE WITH OUTLET TO STORAGE MANHOLE TYPE B**  
(ONLY USE WHERE DIRECTED BY WBBROC-SP)

**NOTES**

1. THE WATERMAIN DETAILS ON THIS DRAWING ARE OF A DN225. FOR OTHER MAIN SIZES REFER TO THE SCOUR TABLE.
2. FOR SURFACE FITTING DETAILS REFER TO WBB-WAT-1301-1.
3. TYPE B STORAGE MANHOLE DISCHARGES SHALL BE USED WHERE SPECIFIED BY S.P.
4. GRADED DISCHARGE PIPE TO HAVE AT LEAST TWO RUBBER RING JOINTS, FOR DIFFERENTIAL SETTLEMENT.
5. WHERE DIRECTED BY WBBROC-SP, LOCATE CAMLOCK COUPLING AT TOP OF 90 DEGREE BEND FLANGE.
6. FLAP VALVES TO BE MARINE GRADE ALUMINIUM OR GRP.
7. DIMENSIONS ARE IN MILLIMETRES UNLESS SHOWN OTHERWISE.

**SCOUR TABLE**

MAIN	SCOUR	OUTLET
225	100	150
300	100	150
375	150	225
450	150	225
525	150	225
600	150	225
>OR=750	225	300



**PIPE SUPPORT BRACKET**

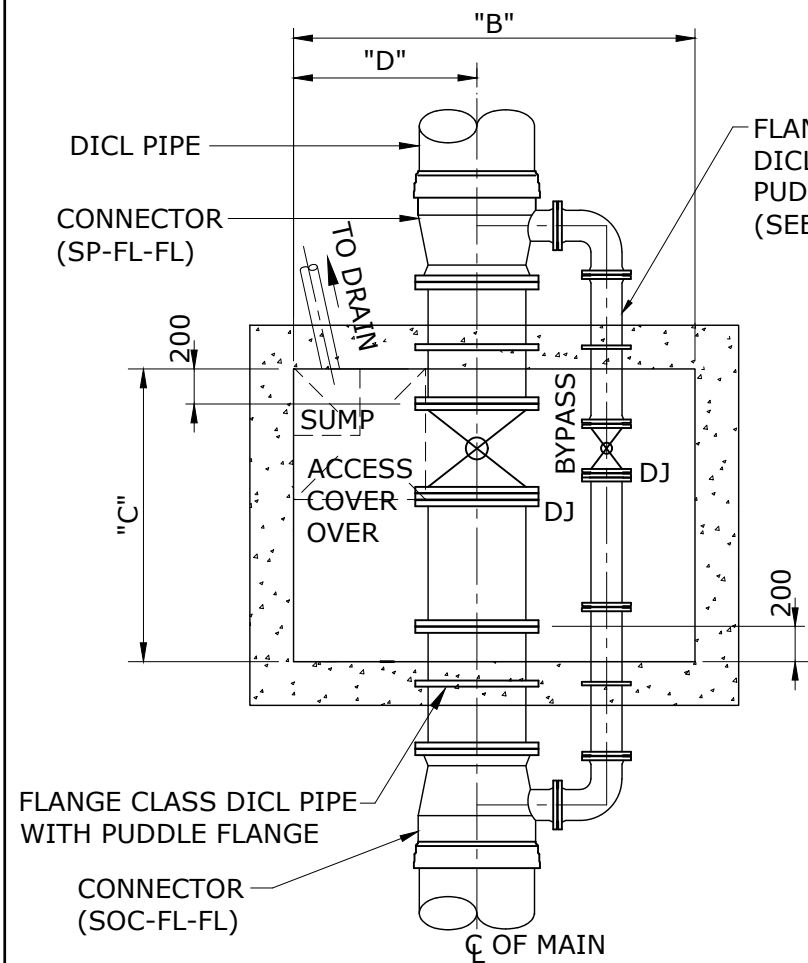
REV. No.	DATE	DESCRIPTION	AUTH.
A		BASED ON SEQ-WAT-1307-3 VERSION A DATED 1/1/2013	

**WBBROC WATER SERVICE PROVIDERS**

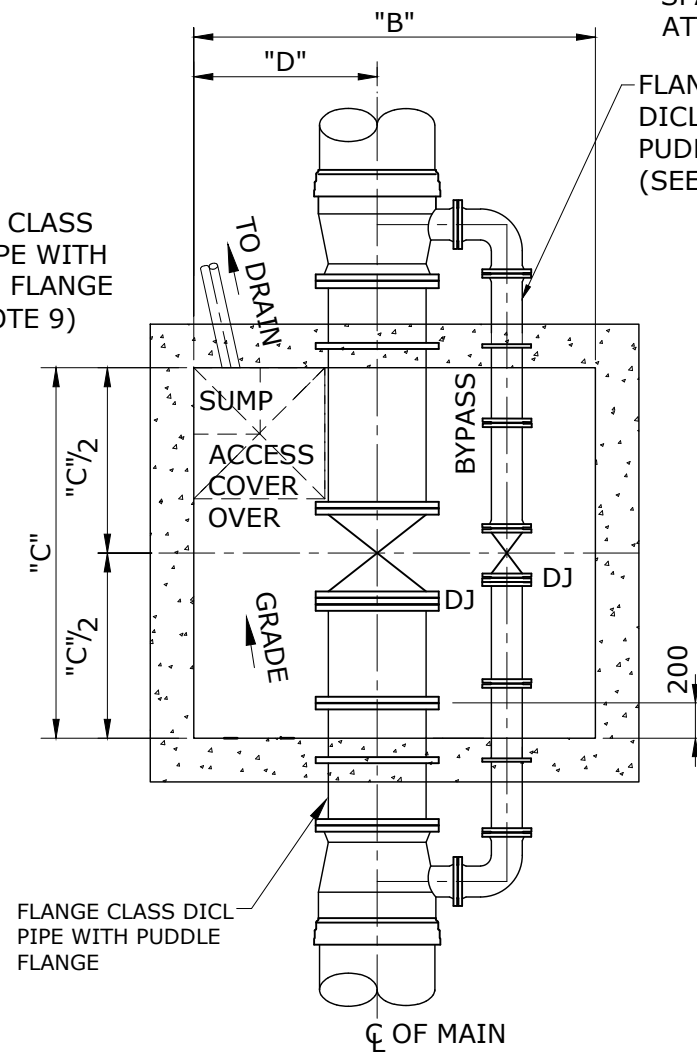
WORK PRACTICES MUST COMPLY WITH ALL APPLICABLE OCCUPATIONAL HEALTH & SAFETY LEGISLATION

WATER SUPPLY STANDARD DRAWING  
TYPICAL APPURTENANCE INSTALLATION  
SCOUR ARRANGEMENTS

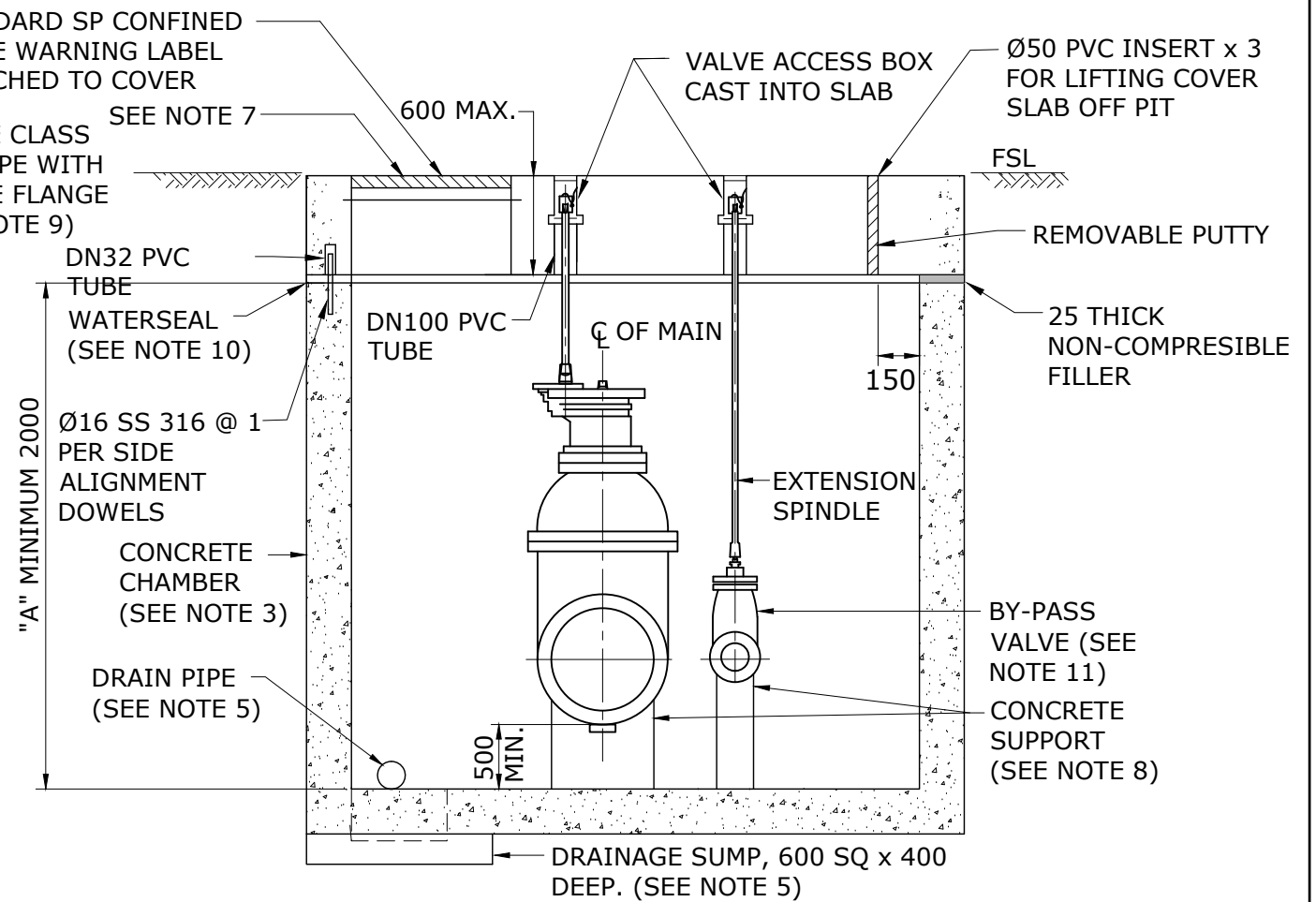
BRC	FCRC	GRC	NBRC	SBRC
DRAWING No.				VERSION
<b>WBB-WAT-1307-3</b>				<b>A</b>
NOT TO SCALE				ORG DATE:



**PLAN FOR DN 600 MAINS**  
(SEE TABLE FOR DIMENSIONS)



**PLAN FOR DN 750 MAIN**  
(SEE TABLE FOR DIMENSIONS)



**TYPICAL CROSS SECTION DN 750 MAIN**

INSTALLATION (SEE NOTE 7)					
NOMINA SIZE DN	MAIN	-	600	750	750
	VALVE ON MAIN (MIN SIZE)	-	500	500	600
	BYPASS VALVE	-	100	150	150
	A	DEPTH TO SUIT			
	B		2 500	2 850	
	C		1 700	2 150	
	D		1 300	1 600	

**NOTES**

1. ALL DIMENSIONS IN MILLIMETRES.
2. INSTALLATION OF SIZE OF VALVE CHAMBER TO BE SPECIFIED IN DESIGN DRAWINGS.
3. WALL & FLOOR THICKNESS AND REINFORCEMENT DETAILS FOR VALVE CHAMBER AS SHOWN IN DESIGN DRAWINGS. DESIGN TO ENSURE THRUST AT 1200 kPa TEST PRESSURE FOR A CLOSED END IS RESTRAINED AT PUDDLE FLANGES WITH COVER SLAB REMOVED. THE REMOVABLE COVER SLAB SHALL BE DESIGNED TO AS3600 AND THE TRAFFIC LOADS APPLICABLE AT A MAXIMUM INDIVIDUAL SLAB WEIGHT AS DIRECTED BY WATER AGENCY.
4. CONCRETE TO BE CLASS N32.
5. DRAIN PIPE TO BE DN 100 MIN PVC DWV PIPE CLASS SN 8 TO AS/NZS 1260. USE GRAVITY DRAIN WHERE FEASIBLE, OTHERWISE A 600 SQ x 400 SUMP AND SUMP PUMP SHALL BE PROVIDED. VALVE CHAMBER FLOOR TO BE GRADED TOWARDS SUMP OR DRAIN PIPE. DIRECTION, GRADE AND CONNECTION LOCATION AND FORM OF DRAIN PIPE TO SW MANHOLE TO BE AS SHOWN IN DESIGN DRAWINGS.

6. MAIN VALVE OPERATING GEARBOX TO SUIT TYPE OF OPERATION AND PRESSURE HEAD AS SPECIFIED IN DESIGN DRAWINGS.
7. DETAIL AND DIMENSIONS OF REMOVABLE COVER AND THE CAST-IN ACCESS COVER SHALL BE SPECIFIED IN THE DESIGN PLANS. 600 x 900 HINGED DUCTILE IRON ACCESS COVERS AND FRAMES SHALL CONFORM TO AS 3996: - CLASS "B" FOR NON TRAFFICABLE AREAS. - CLASS "D" FOR TRAFFICABLE AREAS.
8. CONSTRUCT CONCRETE SUPPORT SO AS NOT TO HINDER BOLT ACCESS AND OPERATION.
9. FOR DETAILS OF FABRICATION SYSTEM SEE WBB-WAT-1405-1, WBB-WAT-1406-1 & WBB-WAT-1407-1.
10. PROVIDE URETHANE WATERSEAL TO JOINT IN ACCORDANCE WITH THE MANUFACTURERS SPECIFICATION.
11. RESILIENT SEATED VALVES WITH INTEGRAL BYPASS VALVES SUCH AS THE TYCO FIGURE 500 OR THE AVK SERIES 55 OR SERIES 54 VALVES ARE ACCEPTABLE OPTIONS.

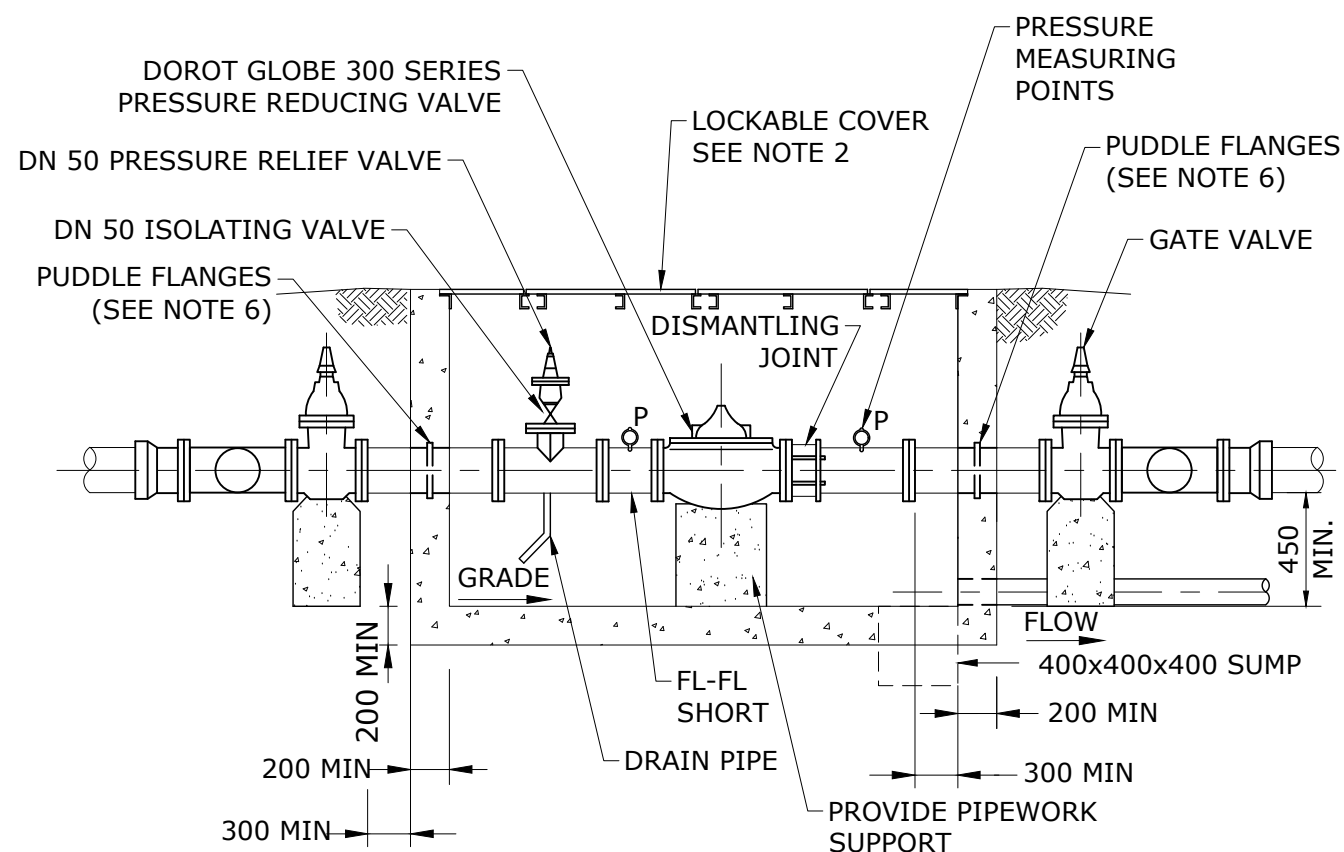
REV. No.	DATE	DESCRIPTION	AUTH.
A		BASED ON SEQ-WAT-1308-1 VERSION A DATED 1/1/2013	

**WBBROC WATER  
SERVICE PROVIDERS**

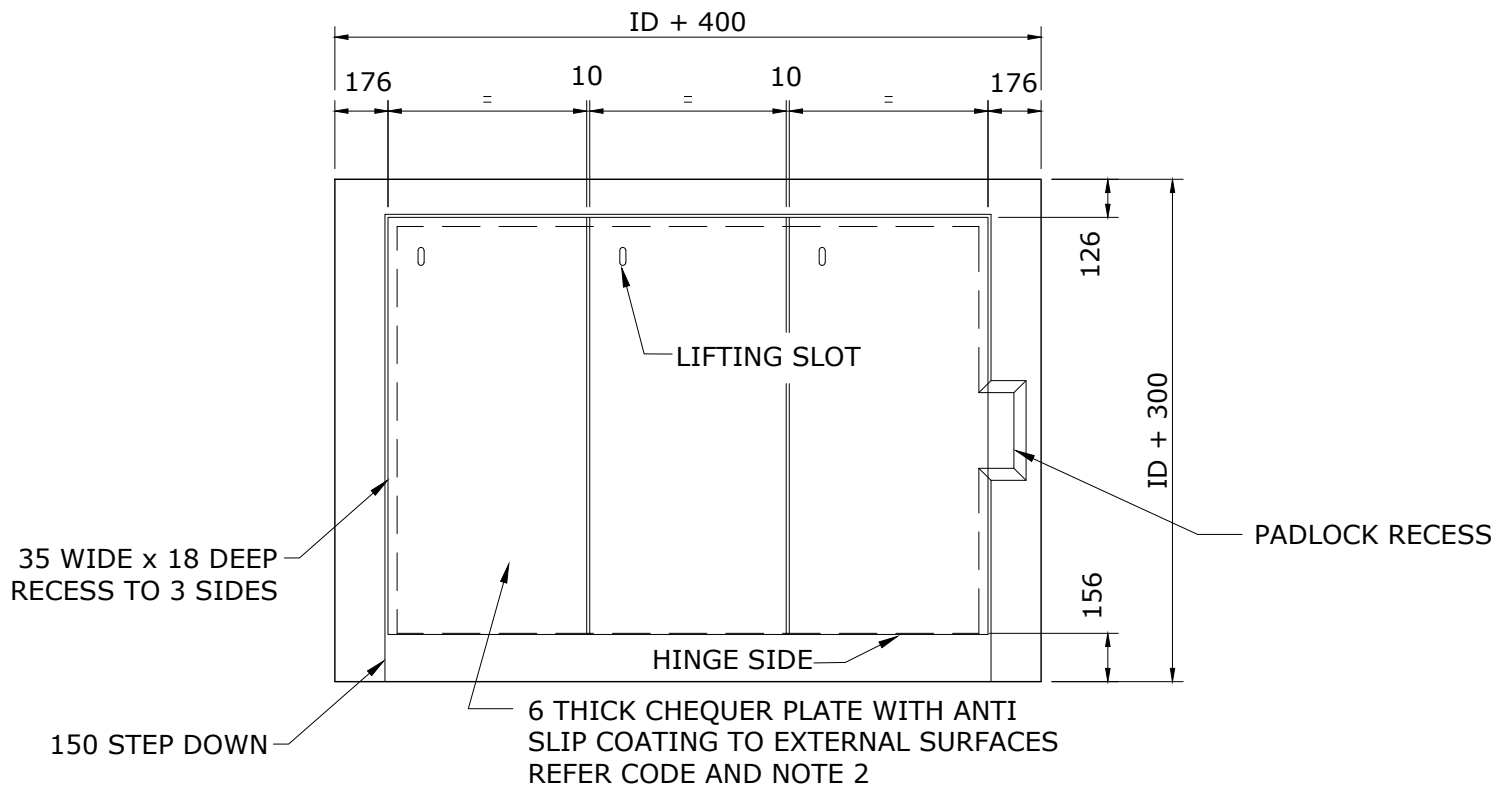
WORK PRACTICES MUST COMPLY WITH ALL APPLICABLE  
OCCUPATIONAL HEALTH & SAFETY LEGISLATION

WATER SUPPLY STANDARD DRAWING  
TYPICAL APPURTENANCE INSTALLATION  
LARGE VALVE CHAMBERS

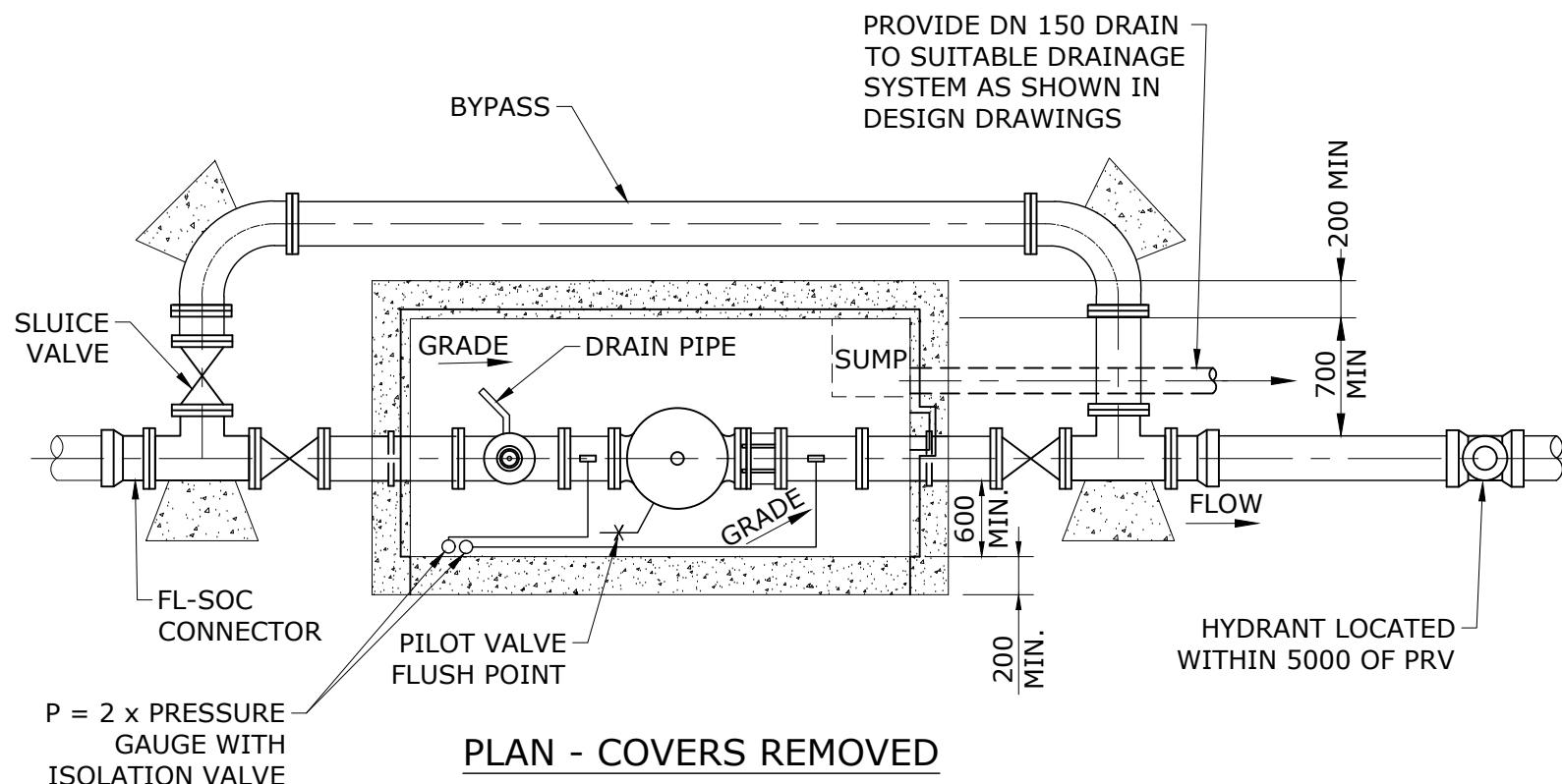
BRC	FCRC	GRC	NBRC	SBRC
DRAWING No.				VERSION
<b>WBB-WAT-1308-1</b>				<b>A</b>
NOT TO SCALE				ORG DATE:



**SECTIONAL ELEVATION**



**PLAN - COVERS IN PLACE**



**PLAN - COVERS REMOVED**

(SINGLE ASSEMBLY FOR <OR= 50 ET, SEE NOTE 9)

**NOTES**

1. DETAILS SHOWN ARE FOR DN100 ASSEMBLY. UPSIZE PRESSURE RELIEF VALVE FOR DN 150 INSTALLATIONS.
2. COVERS SHOWN ARE FOR FOOTWAY VERGE INSTALLATIONS WHERE KERB AND CHANNEL EXISTS.
3. ALL COMPONENTS SHALL BE FBE COATED AND JOINED WITH 316 STAINLESS STEEL BOLTS NUTS AND WASHERS. FBE FL-SP FITTINGS SHALL NOT BE FIELD CUT. SUPPORT CONCRETE TO BE N20.
4. REINFORCED CONCRETE CHAMBER & VALVE RESTRAINT TO BE N25 MIN.
5. GRADE CHAMBER FLOOR AT 1 IN 20 TOWARDS DRAIN OR SUMP. DRAIN PREFERRED.
6. ATTACH PUDDLE FLANGES TO FLANGE CLASS DI PIPES. CONCRETE WALLS TO BE DESIGNED TO ENSURE THRUST IS RESTRAINED AT PUDDLE FLANGES.
7. PROVIDE SUFFICIENT ACCESS FOR OPERATION & MAINTENANCE OF VALVES.
8. WALL AND FLOOR THICKNESS AND REINFORCEMENT DETAILS AND ALL DIMENSIONS FOR CHAMBERS TO BE AS SHOWN IN DESIGN DRAWINGS
9. FOR POPULATIONS GREATER THAN 50 ET, A DUTY/STANDBY PRV INSTALLATION SHALL BE PROVIDED, DESIGN REQUIRED.
10. WHERE APPROVED BY THE WATER AGENCY, PRV ASSEMBLIES MAY BE REDUCED TO DN80 SIZED COMPONENTS VIA AN EXTERNAL TAPER ONLY WHERE DESIGN CRITERIA FOR FLOW AND PRESSURE ARE MET.
11. DIMENSIONS ARE IN MILLIMETRES UNLESS SHOWN OTHERWISE.
12. **GAUGES TO BE INSIDE WALLS FOR EASILY ACCESSIBLE READING.**

REV. No.	DATE	DESCRIPTION	AUTH.
A		BASED ON SEQ-WAT-1309-1 VERSION A DATED 1/1/2013	

**WBBROC WATER SERVICE PROVIDERS**

WORK PRACTICES MUST COMPLY WITH ALL APPLICABLE OCCUPATIONAL HEALTH & SAFETY LEGISLATION

WATER SUPPLY STANDARD DRAWING  
TYPICAL APPURTENANCE INSTALLATION  
PASSIVE PRESSURE REDUCING VALVES (PRV)

BRC	FCRC	GRC	NBRC	SBRC
DRAWING No.				VERSION
<b>WBB-WAT-1309-1</b>				<b>A</b>
NOT TO SCALE				ORG DATE:

## GENERAL NOTES

- G1. THIS DRAWING SHALL BE READ IN CONJUNCTION WITH OTHER CONTRACT DOCUMENTATION AND DRAWINGS.
- G2. ALL MATERIALS AND WORKMANSHIP SHALL BE IN ACCORDANCE WITH THE REQUIREMENTS OF THE CURRENT STANDARDS, AUSTRALIA SPECIFICATIONS AND CODES AND THE BY-LAWS OF THE RELEVANT BUILDING AUTHORITY.
- G3. THE CONTRACTOR SHALL VERIFY ALL DIMENSIONS ON SITE PRIOR TO ANY CONSTRUCTION. DRAWINGS SHALL NOT BE SCALED.
- G4. ANY DISCREPANCY SHALL BE REFERRED TO THE SUPERINTENDENT BEFORE PROCEEDING WITH WORK.
- G5. NO SUBSTITUTE MATERIALS SHALL BE USED WITHOUT THE WRITTEN APPROVAL OF THE SUPERINTENDENT.
- G6. THE POSITIONS OF SERVICES BELIEVED TO EXIST ON THE SITE ARE INDICATED.  
NO GUARANTEE IS GIVEN OR IMPLIED TO THE ACCURACY OR COMPLETENESS OF SUCH INFORMATION.  
THE CONTRACTOR SHALL MAKE HIMSELF FULLY CONVERSANT WITH ALL EXISTING SERVICES AND STRUCTURES WITHIN AND ADJACENT TO THE SITE OF THE WORK AND SHALL BE RESPONSIBLE FOR ANY DAMAGE TO THESE SERVICES AND STRUCTURES DURING THE COURSE OF THE CONTRACT.
- G7. ALL WORK SHALL BE CARRIED OUT IN COMPLIANCE WITH THE QUEENSLAND ELECTRICITY ACT AND WORKPLACE HEALTH AND SAFETY ACT, REGULATIONS AND GUIDELINES.
- G8. WORKS TO BE EXECUTED IN ACCORDANCE WITH THE LOCAL AUTHORITIES EARTHWORKS SPECIFICATION AND THE WBBROC WATER SUPPLY CODE.
- G9. CONNECTION OF THE WORKS TO THE LIVE SYSTEM SHALL BE DONE ONLY BY WBBROC-SP.
- G10. CONTRACTOR TO TAKE APPROPRIATE ACTION AS NECESSARY TO PROTECT AND MAINTAIN EXISTING SERVICES.
- G11. RESTORE ALL SURFACES TO MATCH EXISTING SURFACES.
- G12. TUNNEL BORE OR DIRECTIONAL DRILL UNDER EXISTING REINFORCED CONCRETE DRIVEWAYS WHERE THE EXISTING SURFACE CANNOT BE MATCHED.
- G13. WORKS CONSTRUCTED BY PRIVATE CONTRACTORS MUST BE INSPECTED BY WORK SUPERINTENDENT
- G14. WATER SERVICES:  
(A) TO BE BYPASSED WHERE NECESSARY.  
(B) TO BE RECONNECTED TO NEW MAIN UPON CLEARANCE WBBROC-SP  
(C) ALL 15 mm DIA. SERVICES TO BE RELAID IN 20 mm.  
(D) TO BE INDICATED ON 'AS CONSTRUCTED' DRAWINGS.
- G15. WBBROC-SP PERSONNEL ONLY TO OPERATE THE EXISTING WATER OR SEWERAGE SYSTEM.
- G16. ALL ABANDONED PIPELINES TO BE REMOVED IF DIRECTED BY SP.
- G17. FIRE HYDRANT/WASHOUT BEND TO BE INSTALLED IN ACCORDANCE WITH DRAWINGS.
- G18. WHERE A METALLIC WATER MAIN IS TO BE REPLACED WITH A PLASTIC MAIN A LICENSED ELECTRICIAN SHALL MAKE AN ASSESSMENT OF POTENTIALLY AFFECTED PROPERTY EARTHING SYSTEMS. WORK SHALL NOT COMMENCE UNTIL THE ELECTRICIAN DECLARES IN WRITING THAT IT IS SAFE TO PROCEED.
- G19. **DELETED.**
- G20. ALL DIMENSIONS GIVEN ARE NOMINAL ONLY. THE CONTRACTOR IS RESPONSIBLE FOR CONFIRMING ALL DIMENSIONS PRIOR TO FABRICATION.

## DESIGN NOTES

1. PRECAST CONCRETE PITS DESIGNED AND CERTIFIED (RPEQ) BY MANUFACTURER. END WALLS TO BE CAST ON SITE. DESIGN AND CONSTRUCTION DETAILS OF END WALLS TO BE PROVIDED BY PRECAST CONCRETE PIT DESIGNER.
2. THE DESIGN SHALL ALLOW FOR THRUST LOADS, BOTH DURING OPERATING CONDITIONS AND DURING MAINTENANCE PERIODS.
3. BACK FILLING AROUND STRUCTURES TO BE CARRIED OUT TO SOUND ENGINEERING STANDARDS.
4. ANY AREAS OF SOFT OR UNSUITABLE MATERIAL ARE TO BE REMOVED DOWN TO AN ACCEPTABLE FOUNDING MATERIAL AND REPLACED WITH FILL.
5. SELECT FILL TO BE AN APPROVED GRANULAR SAND OR GRAVEL MATERIAL HAVING A PLASTICITY INDEX NOT EXCEEDING 15 AND TO BE FREE OF ALL ORGANIC AND DELETERIOUS MATTER. 100% SHALL PASS No. 37.5 mm SIEVE.

### 100Ø PRV PIT ARRANGEMENT

ITEM	DESCRIPTION	LENGTH (mm)
A1	DN100 SPRING FIRE HYDRANT WITH TEE, FLANGED RISER, STANDARD HYDRANT CHAMBER AND COVER -REFER TO STANDARD DRAWING WBB-WAT-1302-1	REFER PRODUCT DATA
A2	FLANGE TO FLANGE PIPE	900 MIN.
A3	PRV	381
A4	DISMANTLING JOINT THRUST TYPE	412
A5	FLANGE TO FLANGE PIPE	757
A6	FLOW METER COMPLETE WITH EARTH RING	250
A7	FLANGE TO FLANGE PIPE	1000 MIN.

### 150Ø PRV PIT ARRANGEMENT

ITEM	DESCRIPTION	LENGTH (mm)
A1	DN100 SPRING FIRE HYDRANT WITH TEE, FLANGED RISER, STANDARD HYDRANT CHAMBER AND COVER -REFER TO STANDARD DRAWING WBB-WAT-1302-1	REFER PRODUCT DATA
A2	FLANGE TO FLANGE PIPE	900 MIN.
A3	PRV	508
A4	DISMANTLING JOINT THRUST TYPE	412
A5	FLANGE TO FLANGE PIPE	580
A6	FLOW METER COMPLETE WITH EARTH RING	300
A7	FLANGE TO FLANGE PIPE	1500 MIN.

### 200Ø PRV PIT ARRANGEMENT

ITEM	DESCRIPTION	LENGTH (mm)
B1	DN100 SPRING FIRE HYDRANT WITH TEE, FLANGED RISER, STANDARD HYDRANT CHAMBER AND COVER -REFER TO STANDARD DRAWING WBB-WAT-1302-1	REFER PRODUCT DATA
B2	FLANGE TO FLANGE PIPE	1200 MIN.
B3	PRV	645
B4	DISMANTLING JOINT THRUST TYPE	412
B5	FLANGE TO FLANGE PIPE	1970
B6	FLOW METER COMPLETE WITH EARTH RING	350
B7	FLANGE TO FLANGE PIPE	2000 MIN.

## NOTES

1. ALL FLOW METER INSTALLATIONS MUST HAVE MIN 10 x DIAMETER STRAIGHT PIPE UPSTREAM OF FLOWMETER AND 5 x DIAMETER DOWNSTREAM. THE DESIGN SHOULD AVOID THE USE OF COMPOUND BENDS (REFER TO NOTE 4). WHERE COMPOUND BENDS ARE USED, A MINIMUM OF 15 DIAMETER SHALL BE REQUIRED UPSTREAM OF THE FLOWMETER.
2. ALL PIPE FLANGES SHALL CONFORM TO AS 4087 PN16.
3. ELECTRICAL CONDUIT AND PRESSURE PIPE PENETRATIONS SHALL BE CAST INTO THE CONCRETE END WALLS.
4. LEVEL ADJUSTMENT FROM BRANCH CONNECTIONS TO EXISTING MAINS SHALL UTILISE A 45° BEND AND A STRAIGHT PIPE LENGTH TO A 45° BEND AT THE REQUIRED DEPTH.
5. LEVEL MULTI TRODE TO BE INSTALLED FOR SUMP PUMP CONTROL.

### 250Ø PRV PIT ARRANGEMENT

ITEM	DESCRIPTION	LENGTH (mm)
B1	DN100 SPRING FIRE HYDRANT WITH TEE, FLANGED RISER, STANDARD HYDRANT CHAMBER AND COVER -REFER TO STANDARD DRAWING WBB-WAT-1302-1	REFER PRODUCT DATA
B2	FLANGE TO FLANGE PIPE	1200 MIN.
B3	PRV	756
B4	DISMANTLING JOINT THRUST TYPE	412
B5	FLANGE TO FLANGE PIPE	1760
B6	FLOW METER COMPLETE WITH EARTH RING	450
B7	FLANGE TO FLANGE PIPE	2500 MIN.

### 300Ø PRV PIT ARRANGEMENT

ITEM	DESCRIPTION	LENGTH (mm)
B1	DN100 SPRING FIRE HYDRANT WITH TEE, FLANGED RISER, STANDARD HYDRANT CHAMBER AND COVER -REFER TO STANDARD DRAWING WBB-WAT-1302-1	REFER PRODUCT DATA
B2	FLANGE TO FLANGE PIPE	1200 MIN.
B3	PRV	864
B4	DISMANTLING JOINT THRUST TYPE	412
B5	FLANGE TO FLANGE PIPE	1600
B6	FLOW METER COMPLETE WITH EARTH RING	500
B7	FLANGE TO FLANGE PIPE	3000 MIN.

REV. No.	DATE	DESCRIPTION	AUTH.
A		BASED ON SEQ-WAT-1309-2 VERSION A DATED 1/1/2013	

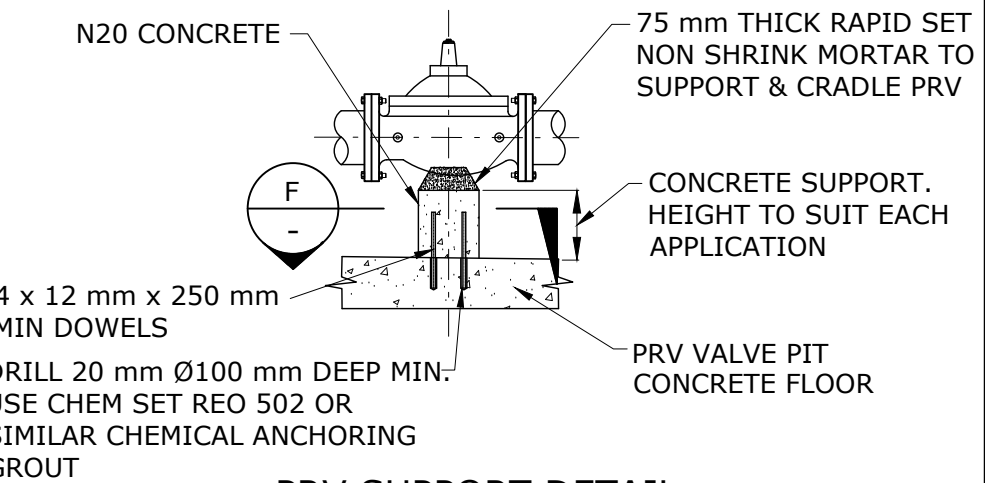
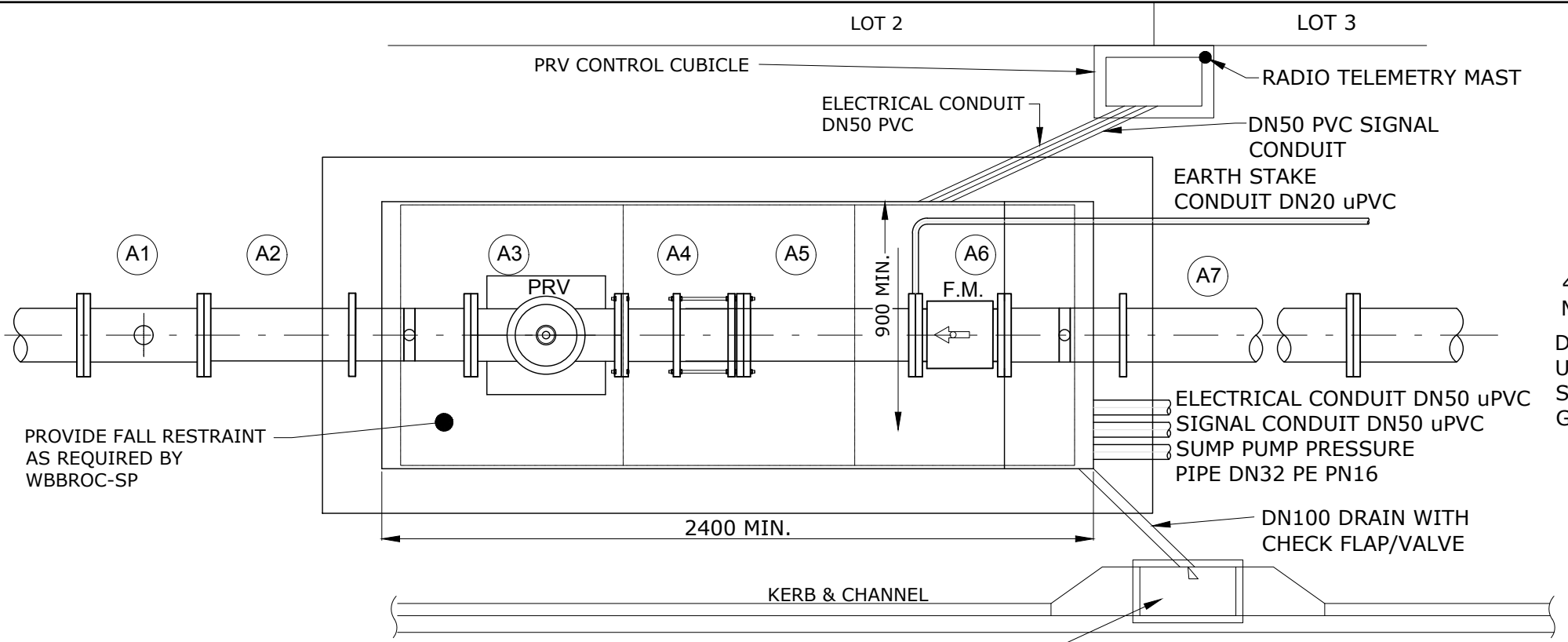
**WBBROC WATER  
SERVICE PROVIDERS**

WORK PRACTICES MUST COMPLY WITH ALL APPLICABLE  
OCCUPATIONAL HEALTH & SAFETY LEGISLATION

WATER SUPPLY STANDARD DRAWING  
TYPICAL APPURTENANCE INSTALLATION  
ACTIVE PRESSURE REDUCING VALVES (PRV)  
DN100 TO DN300

BRC	FCRC	GRC	NBRC	SBRC
DRAWING No.				VERSION
<b>WBB-WAT-1309-2</b>				<b>A</b>
NOT TO SCALE				ORG DATE:



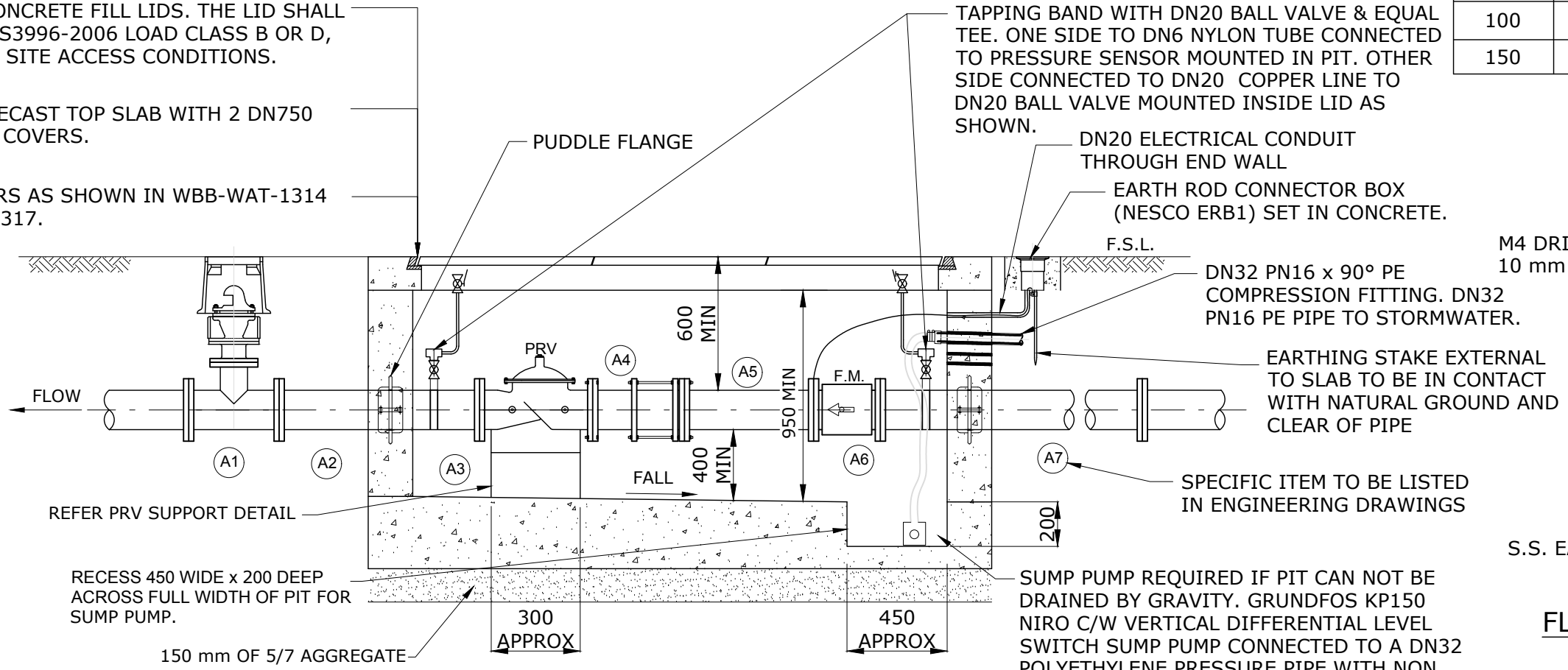
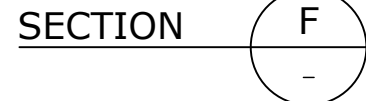


**PRV SUPPORT DETAIL**

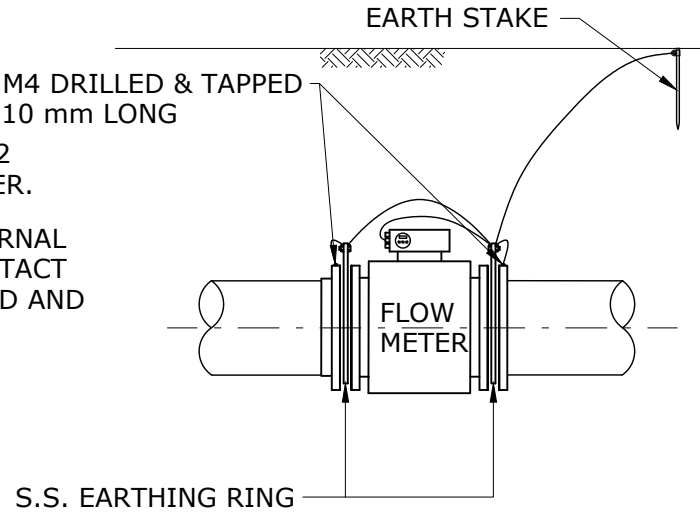
- OPTION 1**  
 PRECAST TOP SLAB WITH 914x2275 OPENING AND CAST IRON / CONCRETE FILL LIDS. THE LID SHALL CONFORM TO AS3996-2006 LOAD CLASS B OR D, DEPENDING ON SITE ACCESS CONDITIONS.
- OPTION 2**  
 REMOVABLE PRECAST TOP SLAB WITH 2 DN750 CAST-IN DI MH COVERS.
- OPTION 3**  
 PROVIDE COVERS AS SHOWN IN WBB-WAT-1314 TO WBB-WAT-1317.

**PLAN**

PRV DN	b	d
100	200	200
150	200	250



**SECTION  
 DN100-150 MAINS**



**FLOW METER EARTHING DETAIL**

**NOTE**  
 1. ALL DIMENSIONS IN MILLIMETRES

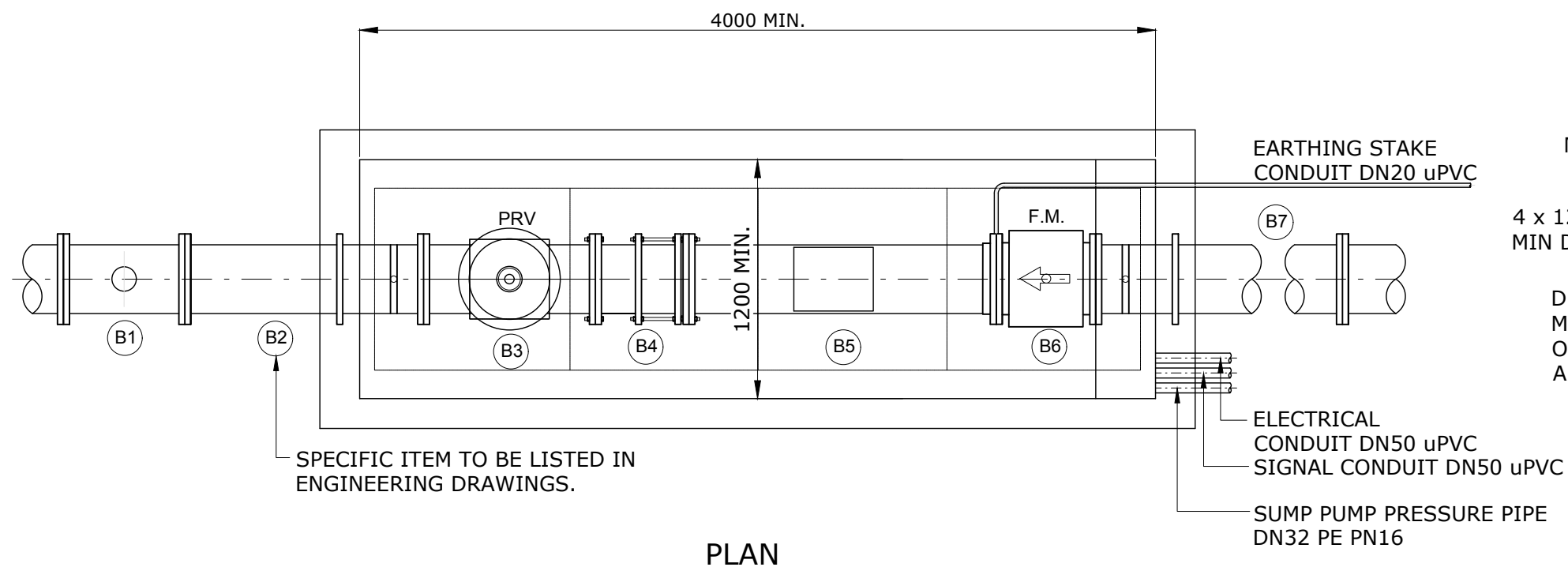
REV. No.	DATE	DESCRIPTION	AUTH.
A		BASED ON SEQ-WAT-1309-3 VERSION A DATED 1/1/2013	

**WBBROC WATER  
 SERVICE PROVIDERS**

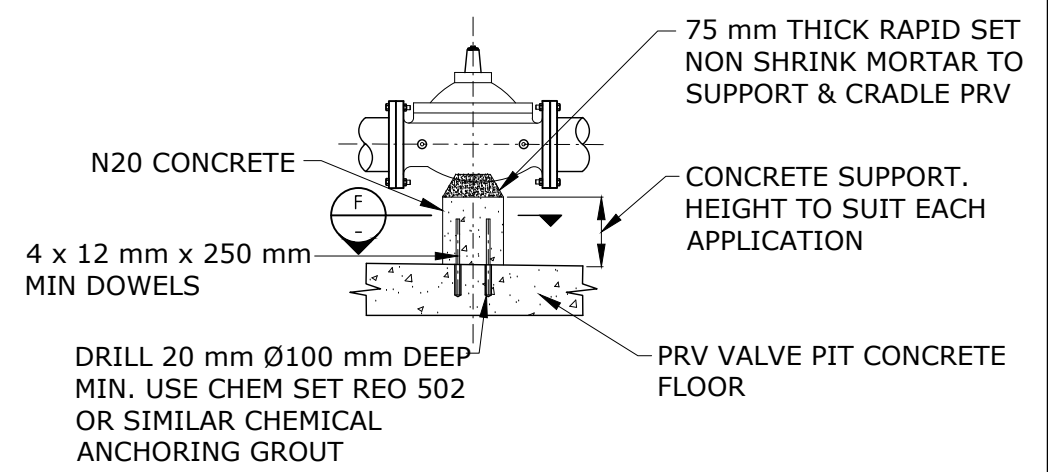
WORK PRACTICES MUST COMPLY WITH ALL APPLICABLE OCCUPATIONAL HEALTH & SAFETY LEGISLATION

**WATER SUPPLY STANDARD DRAWING  
 TYPICAL APPURTENANCE INSTALLATION  
 ACTIVE PRESSURE REDUCING VALVES (PRV)  
 DN100 AND DN150**

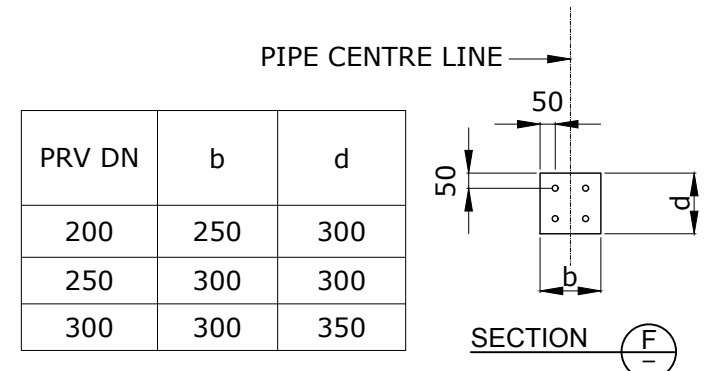
BRC	FCRC	GRC	NBRC	SBRC
DRAWING No.				VERSION
<b>WBB-WAT-1309-3</b>				<b>A</b>
NOT TO SCALE				ORG DATE:



**PLAN**



**PRV SUPPORT DETAIL**



\* TAPPING BAND WITH DN20 BALL VALVE & EQUAL TEE. ONE SIDE TO DN6 NYLON TUBE CONNECTED TO PRESSURE SENSOR MOUNTED IN PIT. OTHER SIDE CONNECTED TO DN20 COPPER LINE TO DN20 BALL VALVE MOUNTED INSIDE LID AS SHOWN.

PRECAST TOP SLAB WITH 914x3850 OPENING & CAST IRON / CONCRETE FILL LIDS. THE LID SHALL CONFORM TO AS3996-2006 LOAD CLASS B OR D DEPENDING ON SITE ACCESS CONDITIONS OR REFER OPTIONS 2 & 3 ON WBB-WAT-1309-3

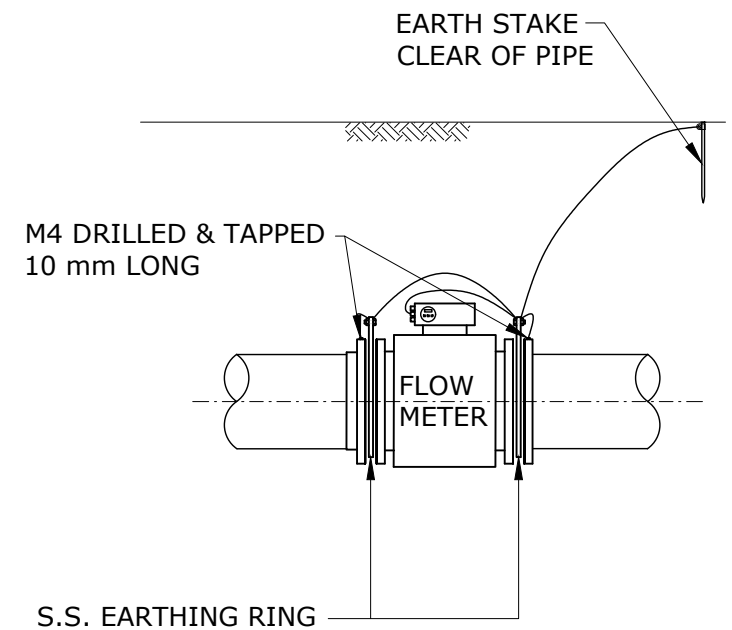
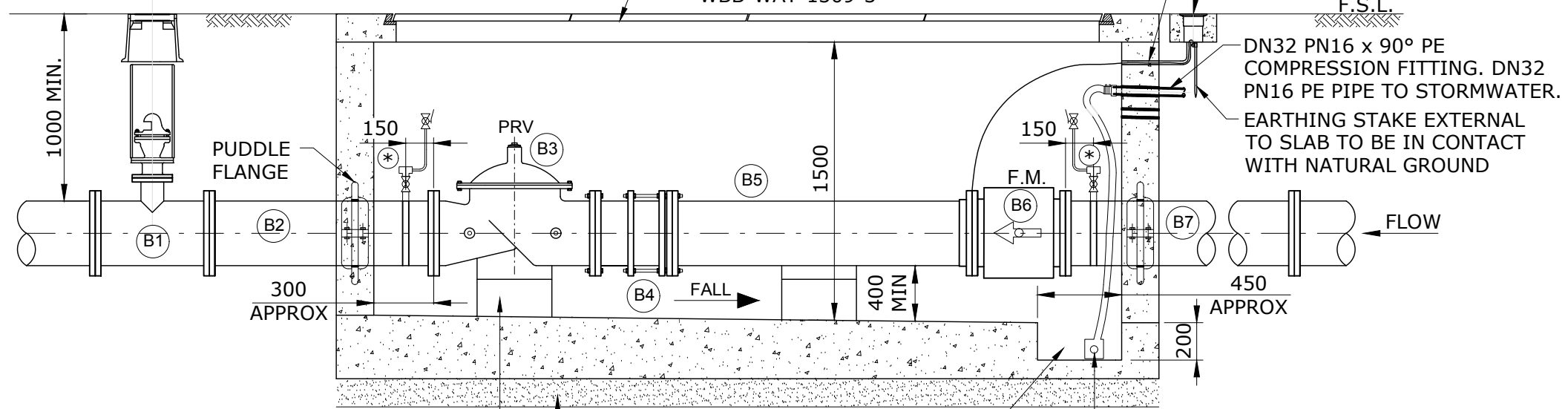
DN20 ELECTRICAL CONDUIT THROUGH END WALL

EARTH ROD CONNECTOR BOX (NESCO ERB1) SET IN CONCRETE.

F.S.L.

DN32 PN16 x 90° PE COMPRESSION FITTING. DN32 PN16 PE PIPE TO STORMWATER.

EARTHING STAKE EXTERNAL TO SLAB TO BE IN CONTACT WITH NATURAL GROUND



**FLOW METER EARTHING DETAIL**

REFER PRV SUPPORT DETAIL

150 mm OF 5/7 AGGREGATE

RECESS 450 WIDE x DEEP ACROSS FULL WIDTH OF PIT FOR SUMP PUMP.

DN32 PN16 POLYETHYLENE MALE ADAPTOR. SUMP PUMP REQUIRED IF PIT CAN NOT BE DRAINED BY GRAVITY. GRUNDFOS KP150 NIRO C/W VERTICAL DIFFERENTIAL LEVEL SWITCH SUMP PUMP CONNECTED TO A DN32 POLYETHYLENE PRESSURE PIPE WITH NON RETURN VALVE 00 01 5211 CONNECTED TO STORMWATER.

**SECTION DN200-300 MAINS**

**NOTE**  
1. ALL DIMENSIONS IN MILLIMETRES

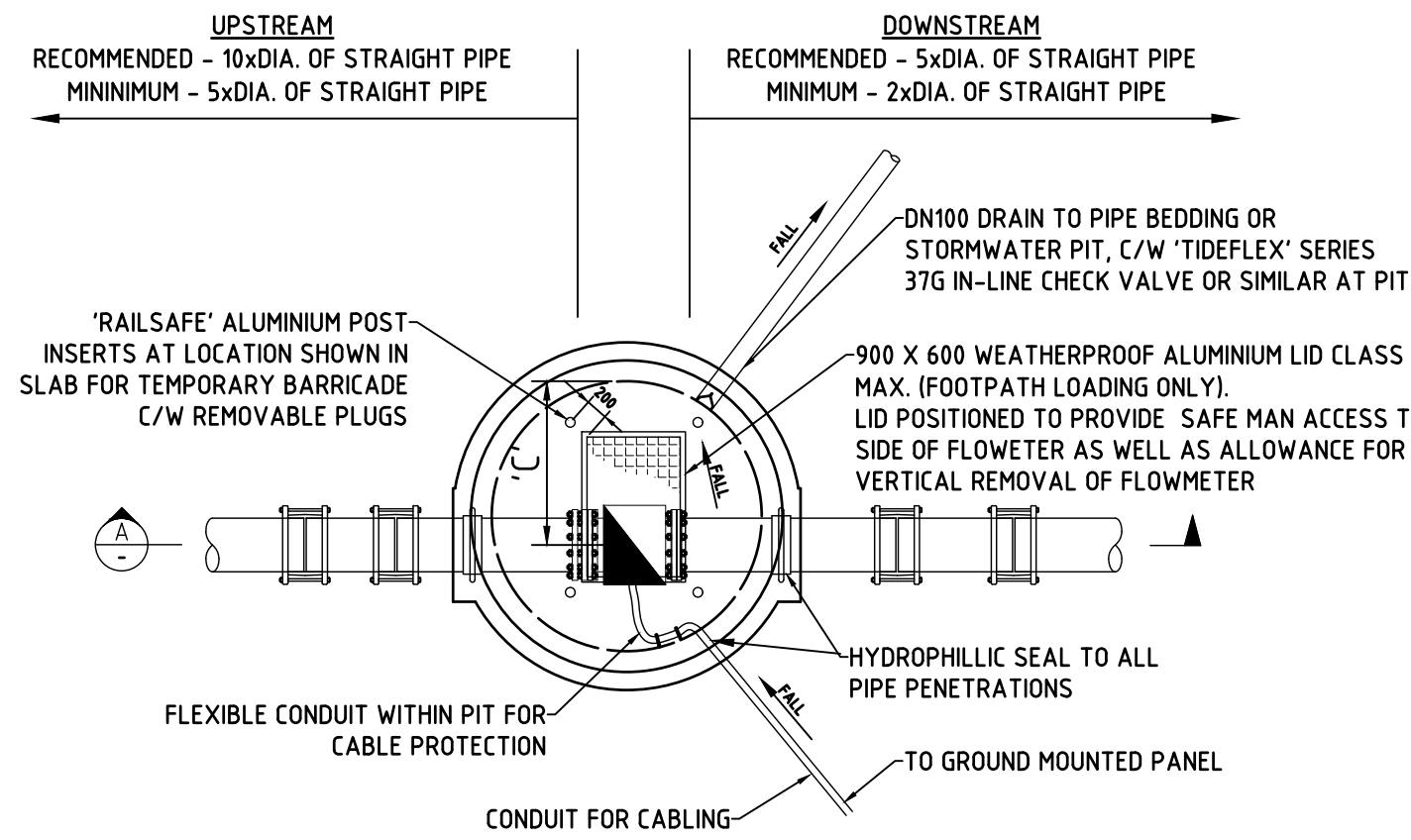
REV. No.	DATE	DESCRIPTION	AUTH.
A		BASED ON SEQ-WAT-1309-4 VERSION A DATED 1/1/2013	

**WBBROC WATER SERVICE PROVIDERS**

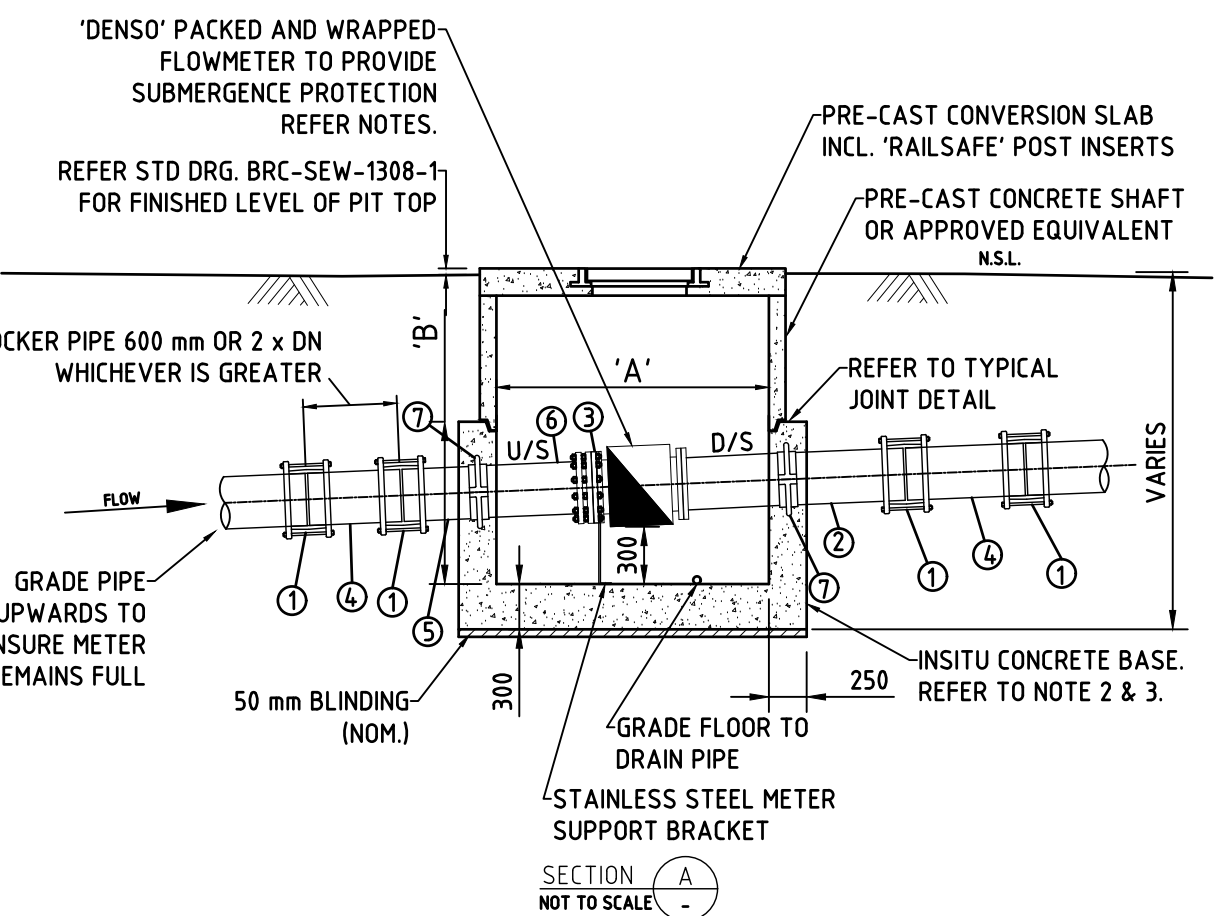
WORK PRACTICES MUST COMPLY WITH ALL APPLICABLE OCCUPATIONAL HEALTH & SAFETY LEGISLATION

WATER SUPPLY STANDARD DRAWING  
TYPICAL APPURTENANCE INSTALLATION  
ACTIVE PRESSURE REDUCING VALVES (PRV)  
DN200 TO DN300

BRC	FCRC	GRC	NBRC	SBRC
DRAWING No.				VERSION
<b>WBB-WAT-1309-4</b>				<b>A</b>
NOT TO SCALE				ORG DATE:



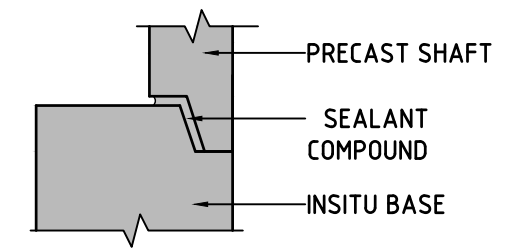
GENERAL ARRANGEMENT PLAN  
NOT TO SCALE



SECTION A-A  
NOT TO SCALE

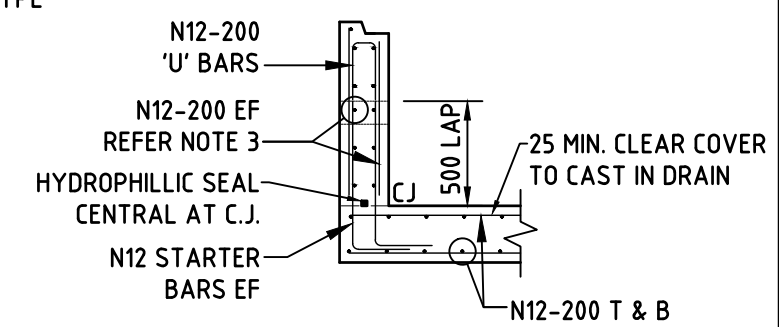
NOTES:

1. FLOWMETER PIT LOCATION TO BE MAX. FOOTPATH LOADING (CLASS 'B'). DRIVEABLE LOCATIONS (CLASS 'D') NOT APPROVED
2. CONCRETE FOR BASE SHALL BE N32 GRADE.
3. ALL STEEL REINFORCING TO COMPLY WITH REQUIREMENTS OF AS 4671.
4. REINFORCEMENT TO BE CUT OR SPACED TO CLEAR PIPEWORK WHERE NECESSARY. WHERE REINFORCEMENT IS CUT, ADDITIONAL TRIMMER BARS SHALL BE PLACED EITHER SIDE OF THE CUT BAR. THESE TRIMMER BARS SHALL BE DEVELOPED A MINIMUM OF 300 mm EITHER SIDE OF THE PENETRATION.
5. 40 MIN. COVER TO REINFORCEMENT TYPICAL, 60 MIN. COVER CAST AGAINST GROUND.
6. INTERNAL DIAMETERS OF FLOWMETER AND ADJOINING PIPEWORK TO MATCH.
7. FLOWMETER LOGGER/CABLE & CONDUIT LOCATION TO BE ADVISED BY SEQ-SP, PRIOR TO CONSTRUCTION.
8. EARTHING RINGS SHALL BE PROVIDED AS PER MANUFACTURERS INSTRUCTIONS.
9. ALL FLOWMETER INSTALLATIONS TO BE COMPLETED BY PERSONNEL ACCREDITED WITH FLOWMETER INSTALLERS CERTIFICATE.
10. TO PROVIDE SUBMERGENCE PROTECTION, FLOWMETER TO BE PACKED WITH 'DENSO MASTIC' AND WRAPPED WITH 'DENSO TAPE' OR SIMILAR ENSURING FLOWMETER BODY, FLANGES AND BOLTS ARE COMPLETELY COVERED, IN ACCORDANCE WITH MANUFACTURERS REQUIREMENTS.
11. ALL JUNCTION BOXES TO BE S/STEEL 316 IP68 CERTIFIED
12. FLOWMETER CABLE LENGTH TO BE SPECIFIED
13. REFER TO FLOWMETER MANUFACTURER FOR GASKET TYPE



TYPICAL JOINT DETAIL  
NOT TO SCALE  
(APPLY SEALANT TO SLOPING EDGE ONCE JOINT SURFACES ARE CLEANED)

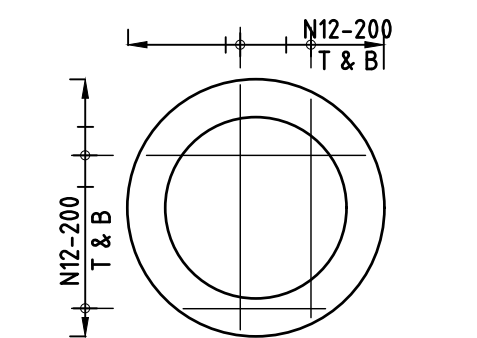
SHAFT/PIT/PIPE SETOUT			
PIPE DN (mm)	'A' (mm)	'B' (mm)	'C' (mm)
100	1200	900	800
150	1200	900	800
200	1500	1000	1000
250	1500	1200	1000
300	1800	1300	1200



BASE TO WALL REINFORCEMENT DETAIL  
NOT TO SCALE

SCHEDULE OF FITTINGS					
ITEM	QTY	DESCRIPTION	MATERIAL	STANDARD	PN RATING (MIN.)
1	4	DN?? ELONGATED GIBALT JOINT	DI FBE	AS4998	PN16
2	1	DN?? PIPE (FL-SP) SPOOL PIECE (LENGTH 2xDN MIN. DOWNSTREAM )	DI FBE	AS2280	PN16
3	1	DN?? SEQ SP APPROVED FLOWMETER (FL-FL) IP68 C/W 316 S/STEEL JUNCTION BOX			PN16
4	2	DN?? PIPE (SP-SP) ROCKER PIPE			PN16
5	1	DN?? PIPE (SP-SP) SPOOL PIECE (LENGTH 5xDN MIN. UPSTREAM )	DI FBE	AS2280	PN16
6	1	DN?? NON-THRUST DISMANTLING JOINT	DI FBE	AS2998	PN16
7	2	DN?? THRUST FLANGE	DI FBE	AS4998	PN16

FBE: FUSION BONDED EPOXY COATING



CONCRETE BASE REINFORCEMENT PLAN  
NOT TO SCALE

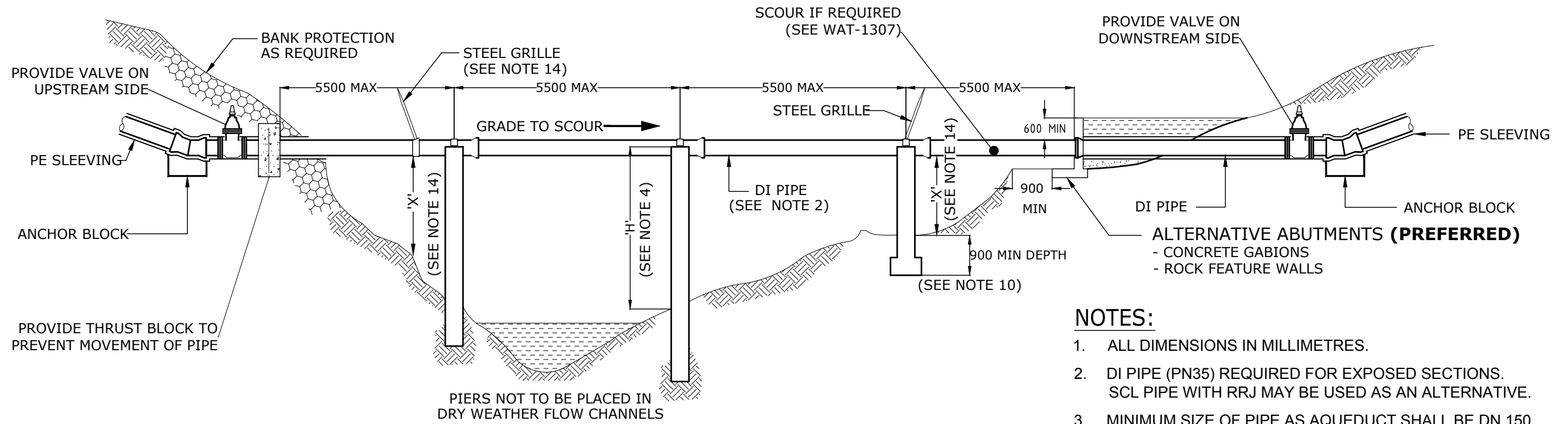
REV. No.	DATE	DESCRIPTION	AUTH.
A		BASED ON WBB-WAT-1310-4 VERSION A DATED 27/02/2014	

**WBBROC WATER SERVICE PROVIDERS**

WORK PRACTICES MUST COMPLY WITH ALL APPLICABLE OCCUPATIONAL HEALTH & SAFETY LEGISLATION

WATER SUPPLY STANDARD DRAWING  
TYPICAL APPURTENANCE INSTALLATION  
FLOWMETER DETAILS  
BELOW GROUND INSTALLATION

BRC	FCRC	GRC	NBRC	SBRC
DRAWING No.				VERSION
<b>WBB-WAT-1310-4</b>				<b>A</b>
NOT TO SCALE				ORG DATE:

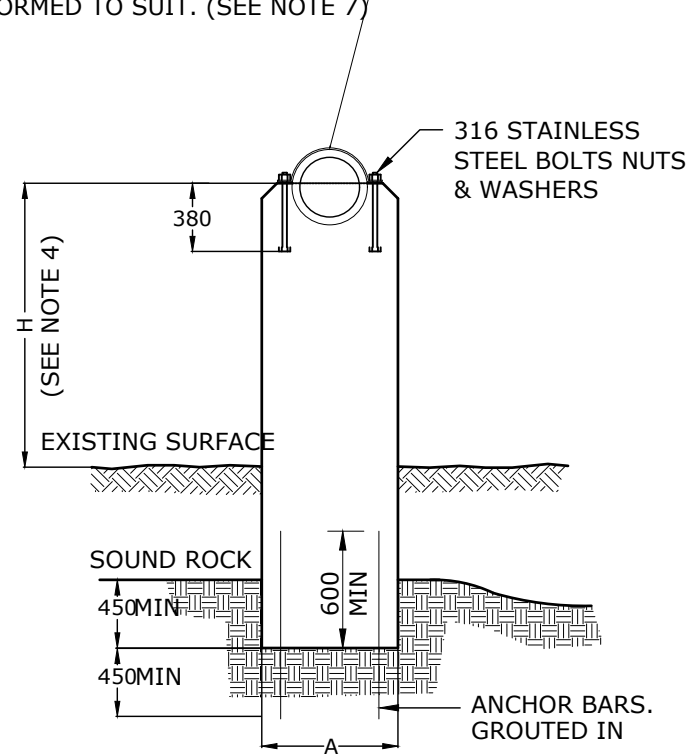


**TYPICAL (DI) AQUEDUCT**

**NOTES:**

1. ALL DIMENSIONS IN MILLIMETRES.
2. DI PIPE (PN35) REQUIRED FOR EXPOSED SECTIONS. SCL PIPE WITH RRJ MAY BE USED AS AN ALTERNATIVE.
3. MINIMUM SIZE OF PIPE AS AQUEDUCT SHALL BE DN 150.
4. **DELETED.**
5. **DELETED.**
6. REINFORCEMENT DETAILS TO BE AS SPECIFIED IN DESIGN DRAWINGS. COVER TO REINFORCEMENT 65 MIN.
7. STRAPS TO BE GRADE 316 STAINLESS STEEL. PLACE 3 THICK x 100 WIDE EPDM RUBBER INSERTION AROUND PIPE TO PROTECT PIPE FROM DAMAGE BY CONCRETE OR STRAP. USE NEOPRENE PADS AND NYLON WASHERS ON ALL DISSIMILAR METAL CONTACTS.
8. AS SPECIFIED IN DESIGN DRAWINGS, ADDITIONAL PROTECTION/COATING TO BE PROVIDED TO MAKE AQUEDUCT PIPES MORE ENVIRONMENTALLY ACCEPTABLE, REFER NOTE 8A ON WBB-WAT-1312-1.
9. CYLINDRICAL PIERS (Ø 600 MIN) OR EQUIVALENT ARE AN ACCEPTABLE ALTERNATIVE.
10. DEPTH OF PIERS IN SOIL TO BE SPECIFIED IN THE DESIGN DRAWINGS. BUT NOT LESS THAN 900.
11. TYPE AND SIZE OF PIER TO BE SPECIFIED IN DESIGN DRAWINGS.
12. PIERS WITHOUT FOOTINGS TO BE CONSTRUCTED IN ACCORDANCE WITH METHODS SPECIFIED IN DESIGN DRAWINGS.
13. ASSEMBLE JOINTS WITH SPIGOT END WITHDRAWN 5 TO 10 FROM BACK OF SOCKET TO ACCOMMODATE EXPANSION AND
14. PROVIDE STEEL GRILLES WHERE THE VERTICAL DISTANCE 'X' EXCEEDS 1800. GRILLE TO BE CLAMPED ON TIGHTLY TO PREVENT MOVEMENT. SEE WBB-WAT-1311-2.
15. **ALL AQUEDUCT CROSSINGS MUST BE DESIGNED BY RPEQ.**

STRAPS 3 THICK x 100 WIDE MIN FORMED TO SUIT. (SEE NOTE 7)



**DETAIL OF CONCRETE PIER**

(SEE NOTE 9)

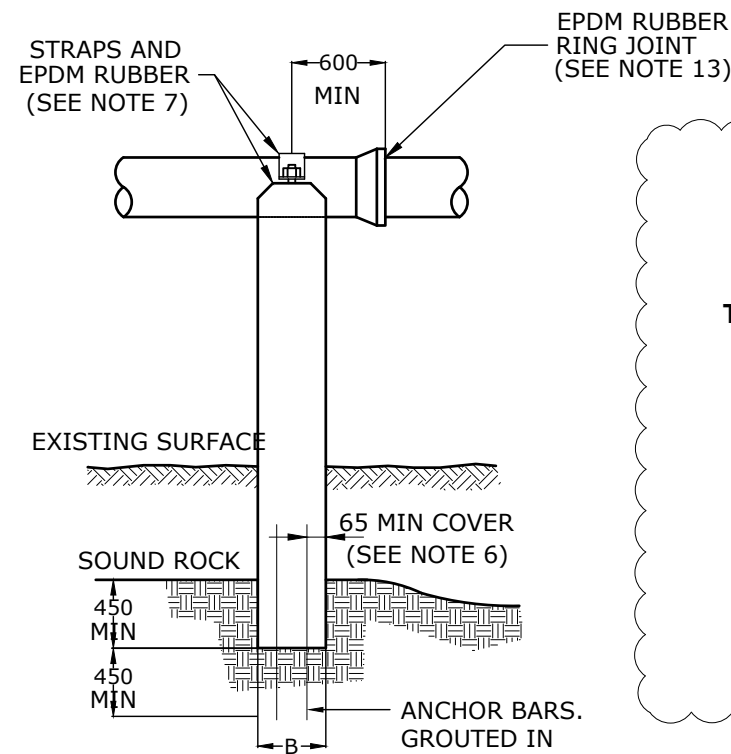


TABLE DELETED

REV. No.	DATE	DESCRIPTION	AUTH.
A		BASED ON SEQ-WAT-1311-1 VERSION A DATED 31/03/2015	

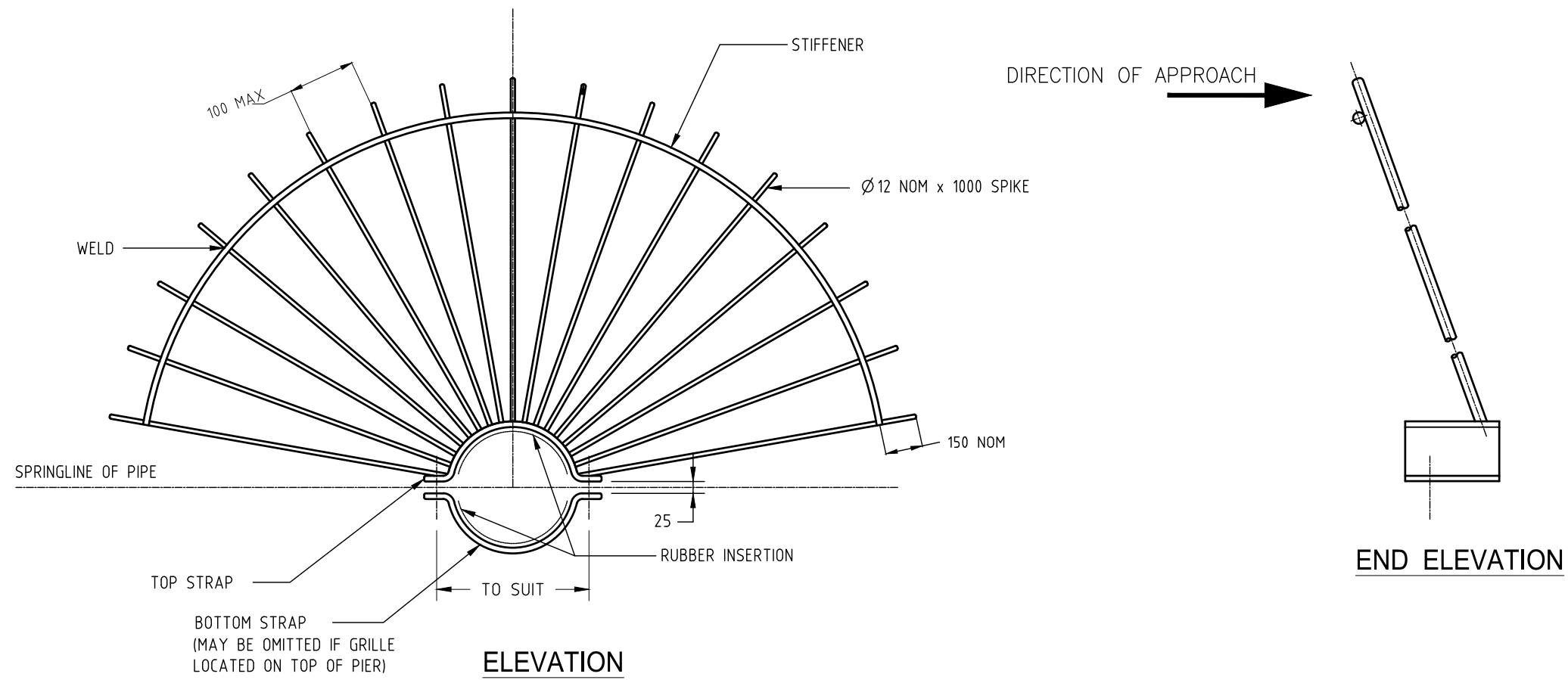
**WBBROC WATER SERVICE PROVIDERS**

WORK PRACTICES MUST COMPLY WITH ALL APPLICABLE OCCUPATIONAL HEALTH & SAFETY LEGISLATION

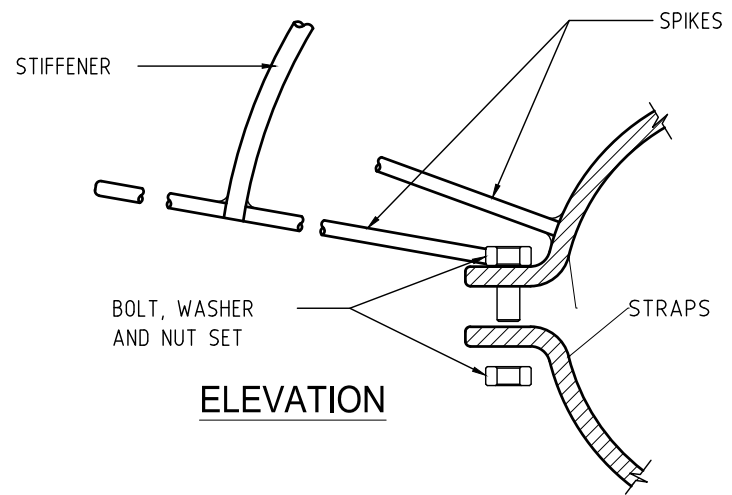
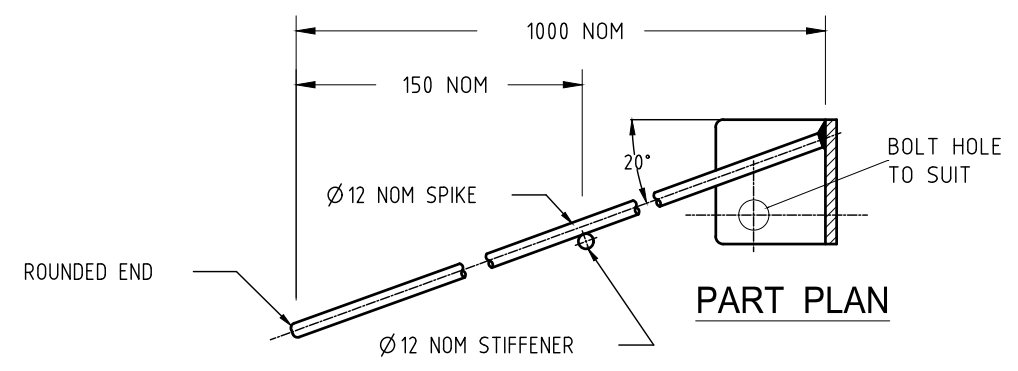
WATER SUPPLY STANDARD DRAWING

AERIAL CROSSINGS  
TYPICAL AQUEDUCT

BRC	FCRC	GRC	NBRC	SBRC
DRAWING No.				VERSION
<b>WBB-WAT-1311-1</b>				<b>A</b>
NOT TO SCALE				ORG DATE:



**STEEL PROTECTION GRILLE**



**COMPONENT & FABRICATION DETAILS**

- NOTES:**
1. ALL DIMENSIONS IN MILLIMETRES.
  2. ALL ITEMS TO BE STEEL AND HOT DIP GALVANISED AFTER FABRICATION.
  3. PLACE 3 THICK RUBBER INSERTION BETWEEN CLAMPS AND PIPELINE.
  4. INCLUDE SIGN "DANGER KEEP OFF" WHERE SPECIFIED BY WATER AGENCY.
  5. STEEL TO BE GRADE 250 TO AS 3679.1.

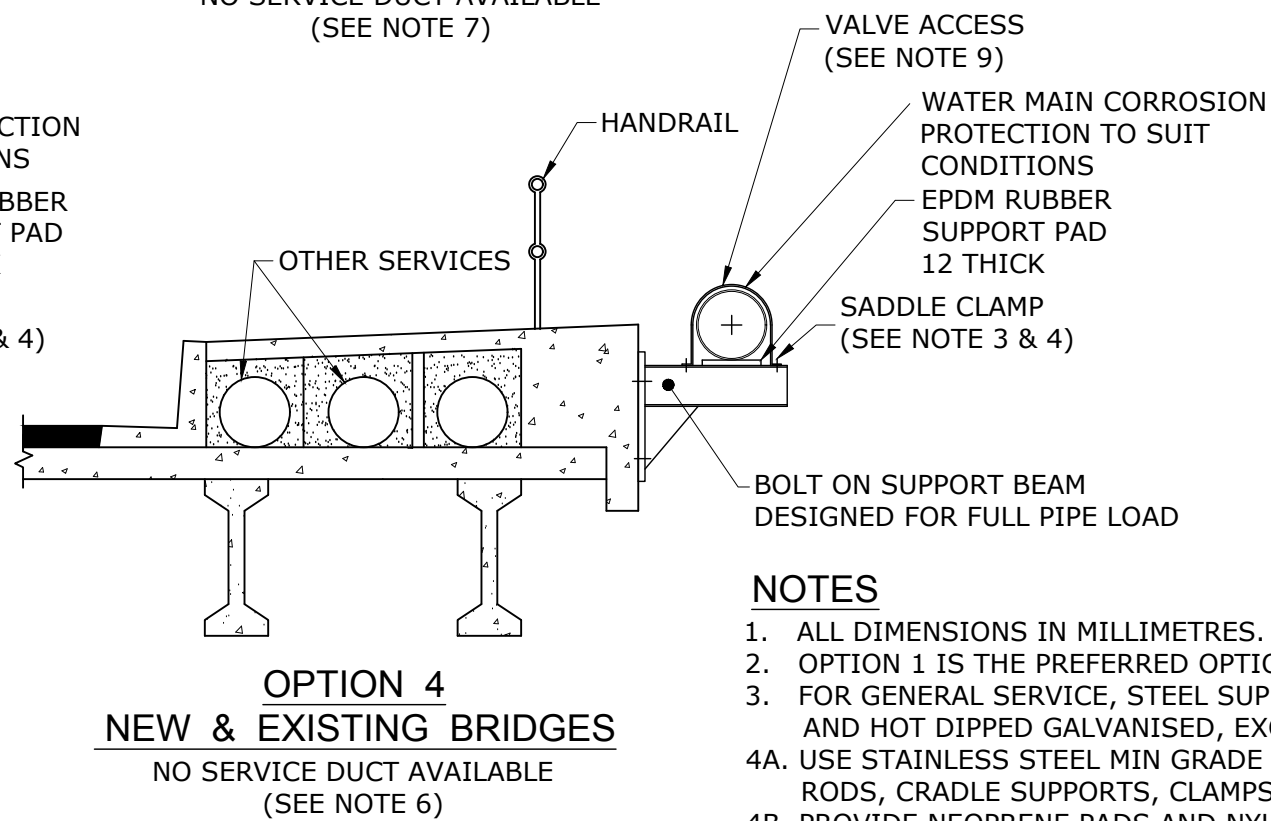
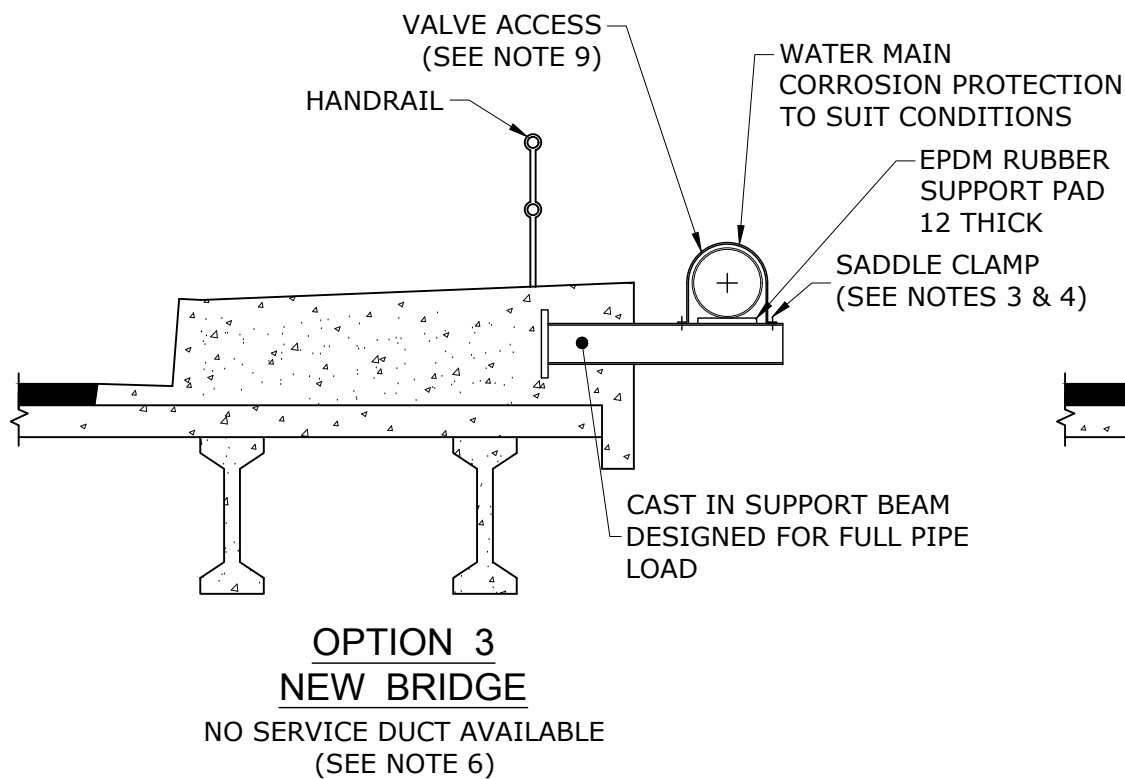
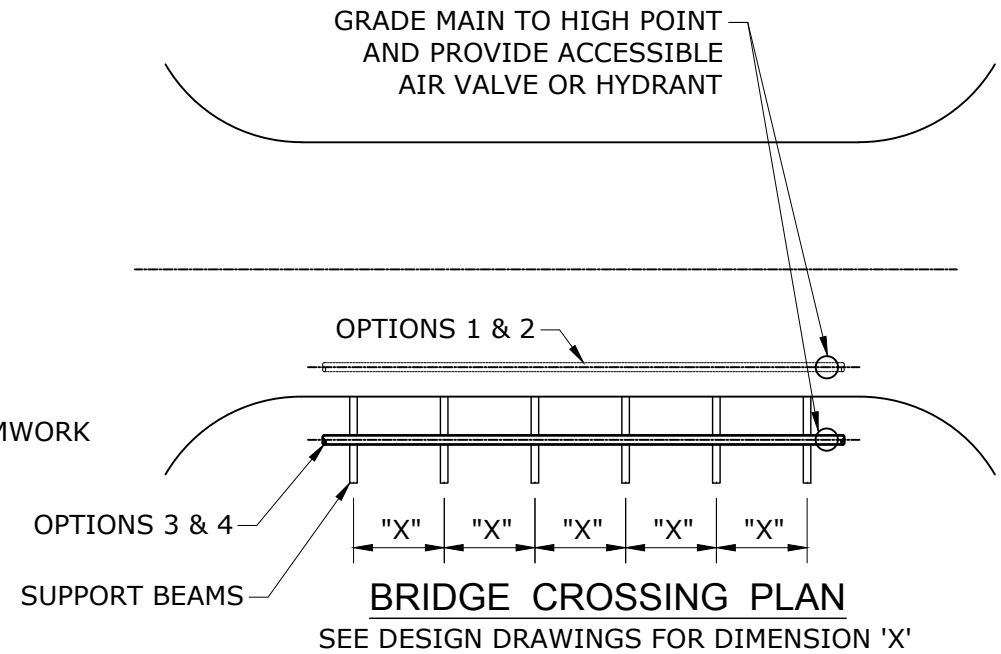
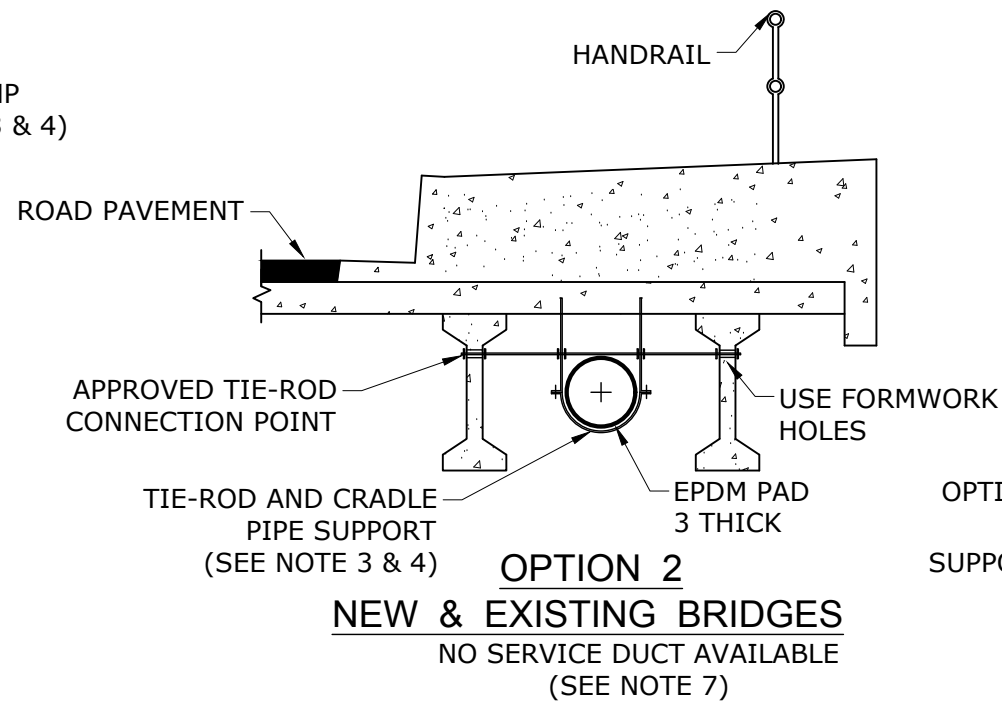
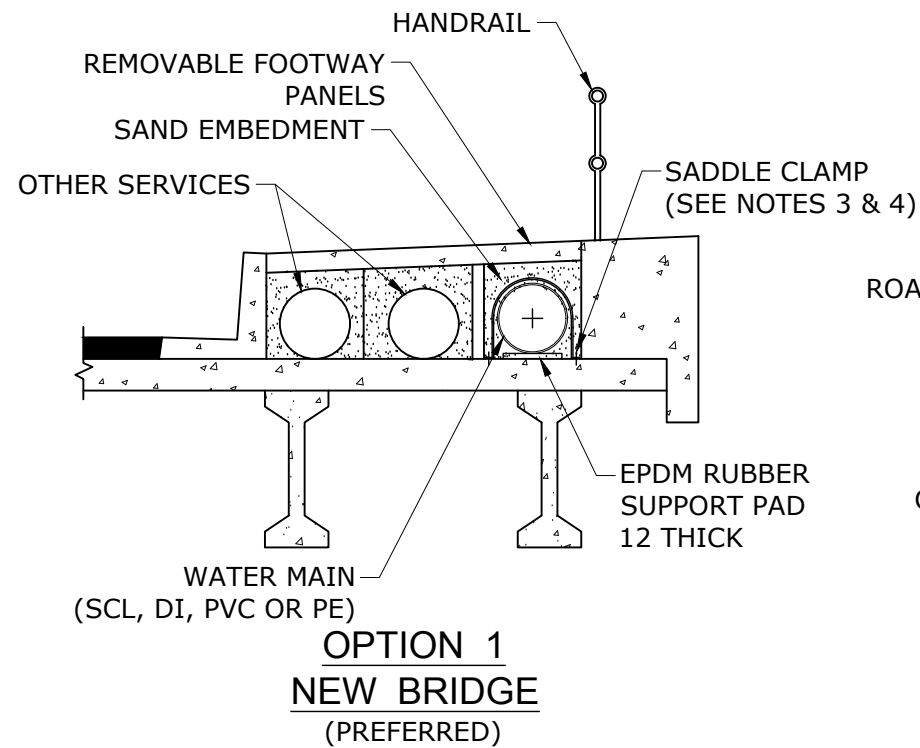
REV. No.	DATE	DESCRIPTION	AUTH.
A		BASED ON SEQ-WAT-1311-2 VERSION A DATED 31/03/2015	

**WBBROC WATER SERVICE PROVIDERS**

WORK PRACTICES MUST COMPLY WITH ALL APPLICABLE OCCUPATIONAL HEALTH & SAFETY LEGISLATION

WATER SUPPLY STANDARD DRAWING  
TYPICAL AERIAL CROSSINGS  
AQUEDUCT PROTECTION GRILLE

BRC	FCRC	GRC	NBRC	SBRC
DRAWING No.				VERSION
<b>WBB-WAT-1311-2</b>				<b>A</b>
NOT TO SCALE				ORG DATE:



**NOTES**

1. ALL DIMENSIONS IN MILLIMETRES.
2. OPTION 1 IS THE PREFERRED OPTION. OPTION 2 IS FOR DRY CREEKS.
3. FOR GENERAL SERVICE, STEEL SUPPORTS TO AS 3679.1 GRADE 250 AND HOT DIPPED GALVANISED, EXCLUDED FOR OPTION 2.
- 4A. USE STAINLESS STEEL MIN GRADE 316 FOR SUPPORT BEAMS, TIE RODS, CRADLE SUPPORTS, CLAMPS, BOLTS, NUTS AND WASHERS.
- 4B. PROVIDE NEOPRENE PADS AND NYLON WASHER ON ALL DISSIMILAR METAL CONTACTS.
5. PROVIDE PIPE EXPANSION JOINTS AT EACH END OF BRIDGE.
6. SCL PIPE ONLY FOR OPTION 1, JUSTIFY FOR OPTIONS 3 & 4.
7. DI TO BE USED FOR OPTION 2. MATERIAL TYPE DEPENDS ON ENVIRONMENTAL CONDITIONS.
- 8A. ALL DI PIPES SHALL BE PROVIDED WITH A COLOURED EPOXY COATING AT 500 MICRONS THICK. PIPE COLOUR TO SUIT LOCAL ENVIRONMENT WITH PRODUCT MARKERS AT EACH SOCKET.

- 8B. ALL FLANGE JOINTS SHALL BE PROTECTED AS PER WBB-WAT-1313-1.
9. ALL APPURTENANCES SHALL BE ACCESSIBLE VIA PLATFORMS AND HANDRAILS TO AS 1657.
10. ALL SUPPORTS SHALL MANAGE ALL TEST AND OPERATIONAL THRUSTS AT FULL LOADS.

THIS IS NOT A DETAIL DRAWING  
**CONCEPT ONLY**

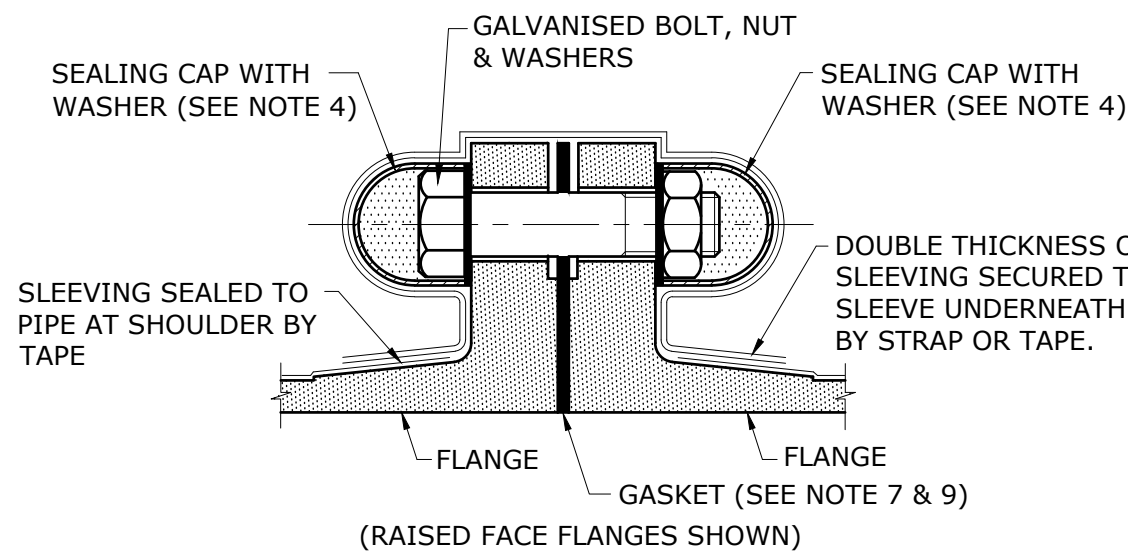
REV. No.	DATE	DESCRIPTION	AUTH.
A		BASED ON SEQ-WAT-1312-1 VERSION B DATED 31/03/2015	

**WBBROC WATER  
SERVICE PROVIDERS**

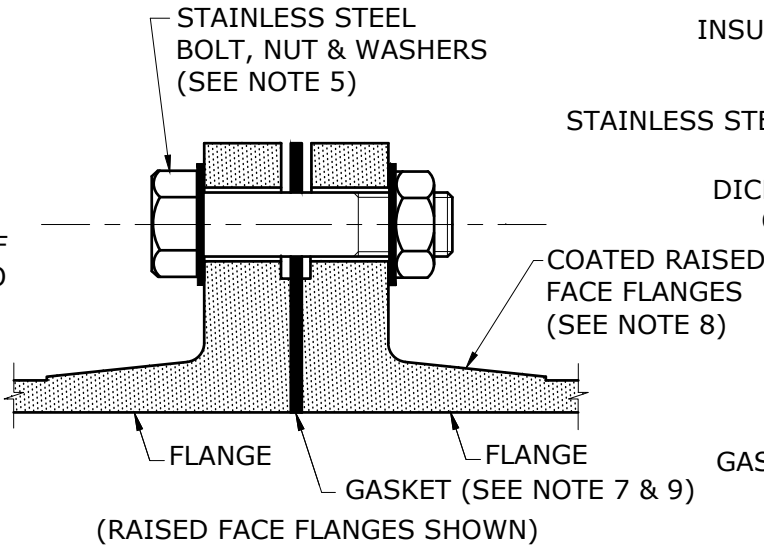
WORK PRACTICES MUST COMPLY WITH ALL APPLICABLE  
OCCUPATIONAL HEALTH & SAFETY LEGISLATION

WATER SUPPLY STANDARD DRAWING  
AERIAL CROSSINGS  
TYPICAL BRIDGE CROSSING CONCEPTS

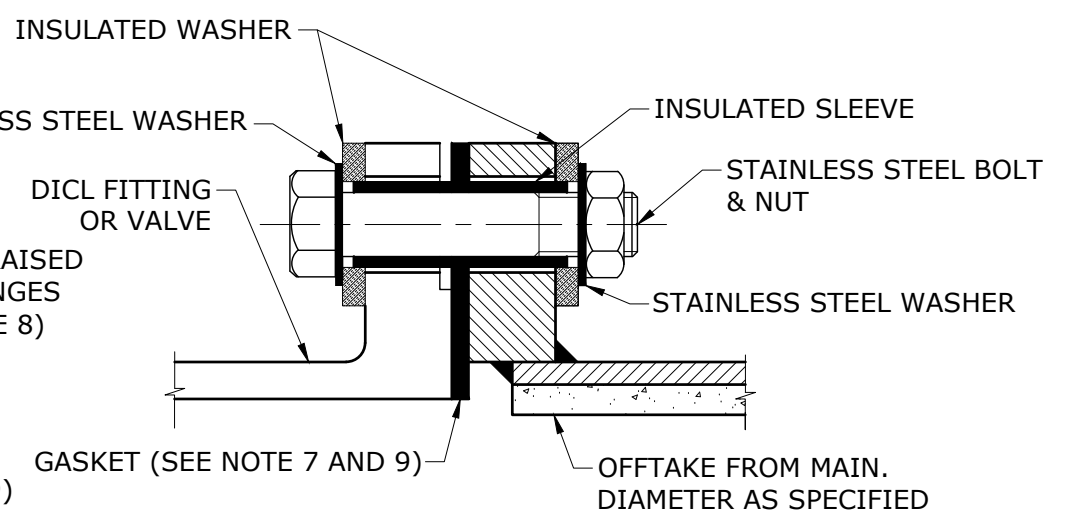
BRC	FCRC	GRC	NBRC	SBRC
DRAWING No.				VERSION
<b>WBB-WAT-1312-1</b>				<b>A</b>
NOT TO SCALE				ORG DATE:



**CORROSION PROTECTION PROCEDURE FOR BURIED DUCTILE IRON FLANGES WITH GALVANISED BOLTS**  
**DETAIL A**  
 (SEE NOTE 2 AND 11)



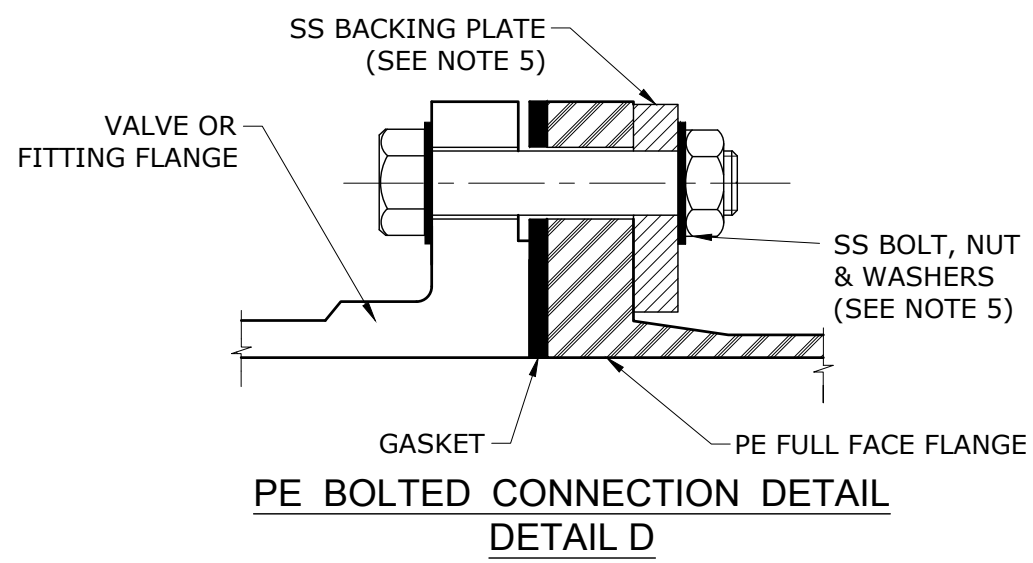
**CORROSION PROTECTION PROCEDURE FOR FUSION BONDED COATED DUCTILE IRON FLANGES WITH STAINLESS STEEL BOLTS**  
**DETAIL B**  
 (SEE NOTE 3)



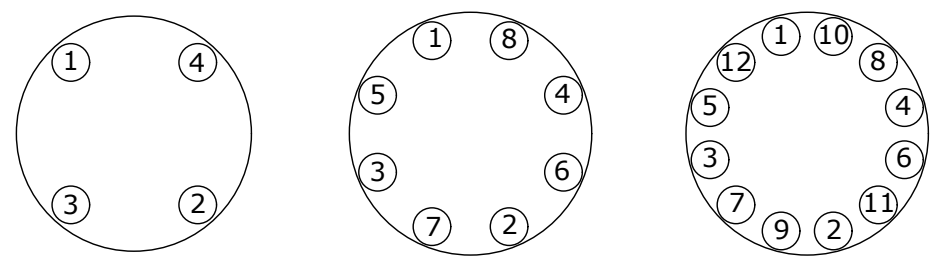
**INSULATED FLANGED JOINT FOR STEEL MAINS**  
**DETAIL C**  
 (SEE NOTE 6)

**NOTES**

1. ALL DIMENSIONS IN MILLIMETRES.
2. SLEEVE UNCOATED DUCTILE IRON FLANGES. USE GALVANISED BOLTS (SEE NOTE 4). APPLY TWO LAYERS OF SLEEVING OVER ALL BURIED BITUMEN COATED DUCTILE IRON FLANGES.
3. WHERE FLANGES ARE COATED WITH FUSION BONDED EPOXY OR NYLON THEY DO NOT REQUIRE SLEEVING, USE ONLY STAINLESS STEEL BOLTS (SEE NOTE 5). TAKE CARE TO PREVENT DAMAGE TO THE FLANGE'S PROTECTIVE COATING. **BRC REQUIRES SLEEVING FOR FUSION BONDED EPOXY FLANGES.**
4. GALVANISED BOLT SYSTEM.
  - (i) ALL BOLTS, NUTS AND WASHERS TO BE HOT DIPPED GALVANISED. AFTER GALVANISING, AND PRIOR TO ASSEMBLY, LIBERALLY COAT ALL NUTS, BOLTS & WASHERS WITH A CORROSION PREVENTION PRIMING PASTE.
  - (ii) AFTER ASSEMBLY, COVER ALL BOLT HEADS AND NUTS WITH SEALING CAPS FILLED WITH CORROSION PREVENTION PRIMING PASTE.
  - (iii) WRAP THE ASSEMBLY WITH PETROLATUM TAPE OR WITH PE SLEEVING AND TAPED. TAKE SPECIAL CARE WHEN BACKFILLING, TO ENSURE THAT CAPS ARE NOT DISLODGED.
  - (iv) DELETED.**
5. STAINLESS STEEL BOLT SYSTEM. ALL STAINLESS STEEL BOLTS, NUTS, WASHERS AND BACKING PLATES TO BE MANUFACTURED FROM 316 GRADE MATERIAL. COAT THE THREADED SECTIONS OF ALL STAINLESS STEEL BOLTS WITH AN ANTI-SIEZE LUBRICANT RECOMMENDED BY THE BOLT MANUFACTURER.
6. VERIFY THE INTEGRITY OF EACH INSULATED FLANGED JOINT AFTER ASSEMBLY.
7. USE SPECIAL HIGH RESISTIVITY (LOW CONDUCTIVITY) GASKET MATERIAL. NOT ALL ELASTOMERS ARE NON CONDUCTIVE
8. ROUGHEN COATED RAISED FACE FLANGE SURFACES BEFORE ASSEMBLY. PERFORATION OF THE COATING DOES NOT MATTER ON THE CONTACT FLANGE FACES.
9. GASKET MATERIALS TO COMPLY WITH WSA 109.
10. TIGHTENING SEQUENCE SHOWN FOR AS 4087 FLANGES <DN450, LARGER SIZES TO FOLLOW SIMILAR PRINCIPLE.
11. USE OF DETAIL A SUBJECT TO THE APPROVAL OF WBBROC-SPs.
- 12. DELETED.**



**PE BOLTED CONNECTION DETAIL**  
**DETAIL D**



4 BOLTS                      8 BOLTS                      12 BOLTS

**TIGHTENING SEQUENCE**

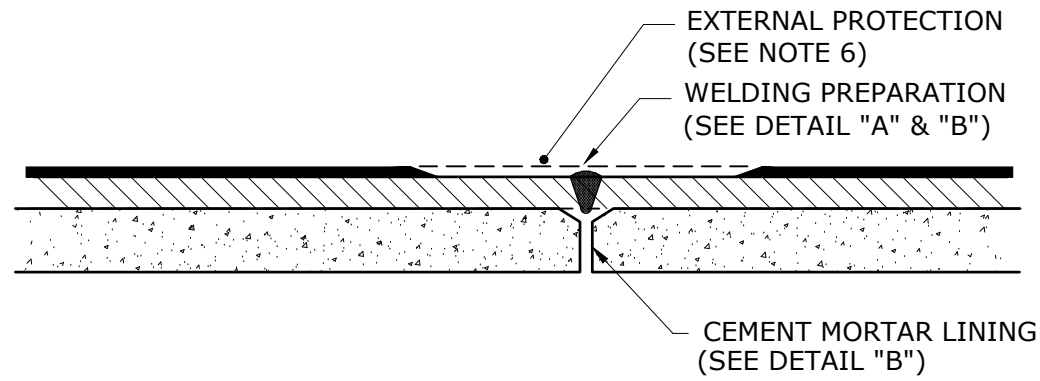
REV. No.	DATE	DESCRIPTION	AUTH.
A		BASED ON WBB-WAT-1313-1 VERSION A DATED 1/1/2013	

**WBBROC WATER SERVICE PROVIDERS**

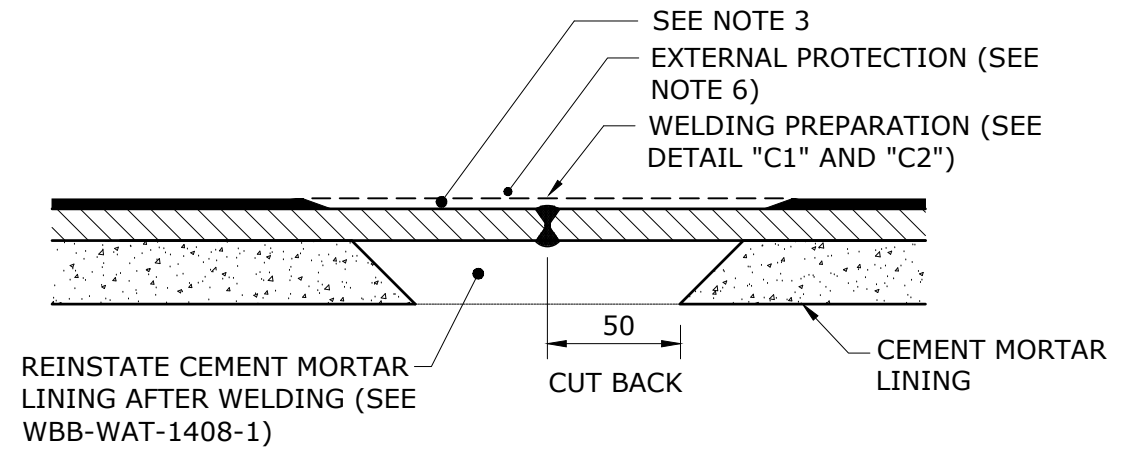
WORK PRACTICES MUST COMPLY WITH ALL APPLICABLE OCCUPATIONAL HEALTH & SAFETY LEGISLATION

WATER SUPPLY STANDARD DRAWING
FLANGED JOINTS
TYPICAL BOLTING DETAILS

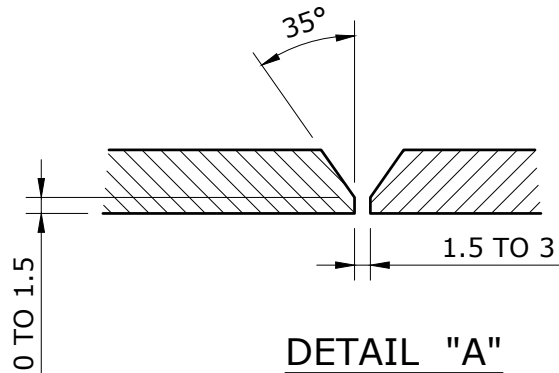
BRC	FCRC	GRC	NBRC	SBRC
DRAWING No.				VERSION
<b>WBB-WAT-1313-1</b>				<b>A</b>
NOT TO SCALE				ORG DATE:



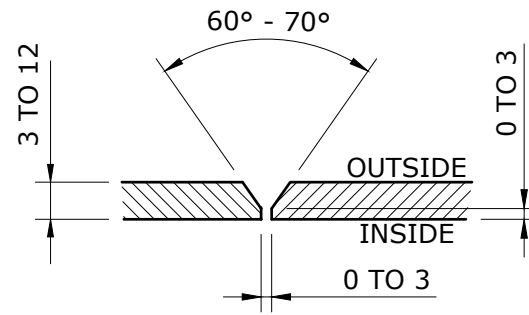
**BUTT WELD FOR PIPES < DN750**  
(WELDED FROM OUTSIDE ONLY)



**BUTT WELD FOR PIPES > OR = DN750 TO DN1200**  
(WELDED FROM BOTH SIDES)

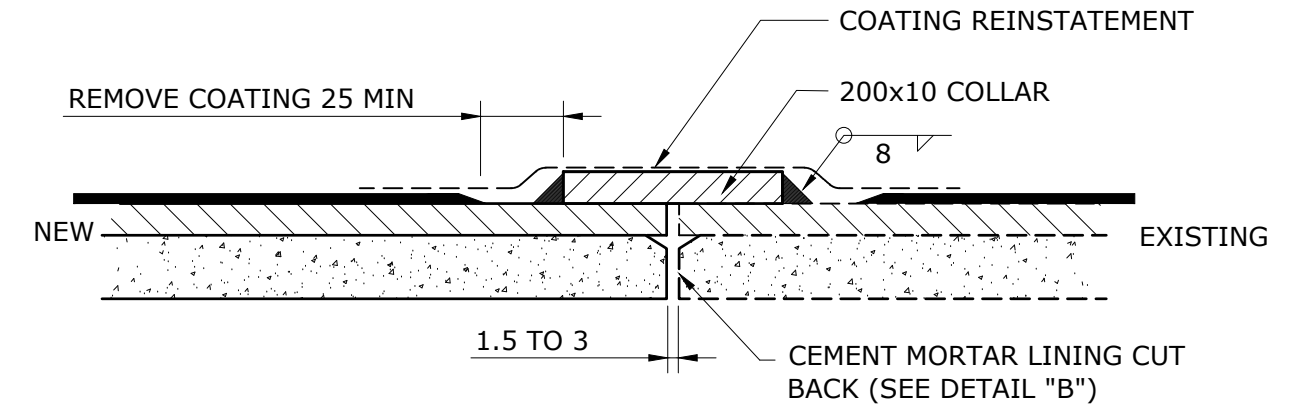


**DETAIL "A"**  
WELD PREPARATION FOR PIPES < DN750



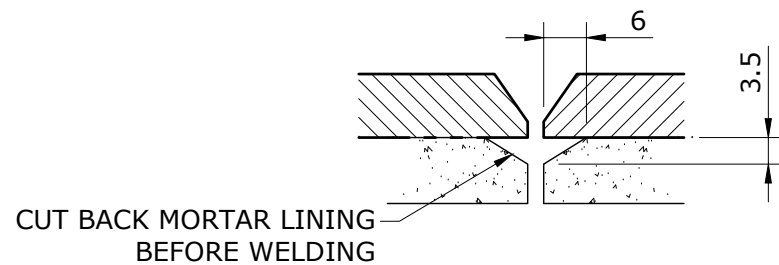
(FOR BARREL THICKNESS < OR = 12)  
(SEE NOTES 4 & 5)

**DETAIL "C1"**

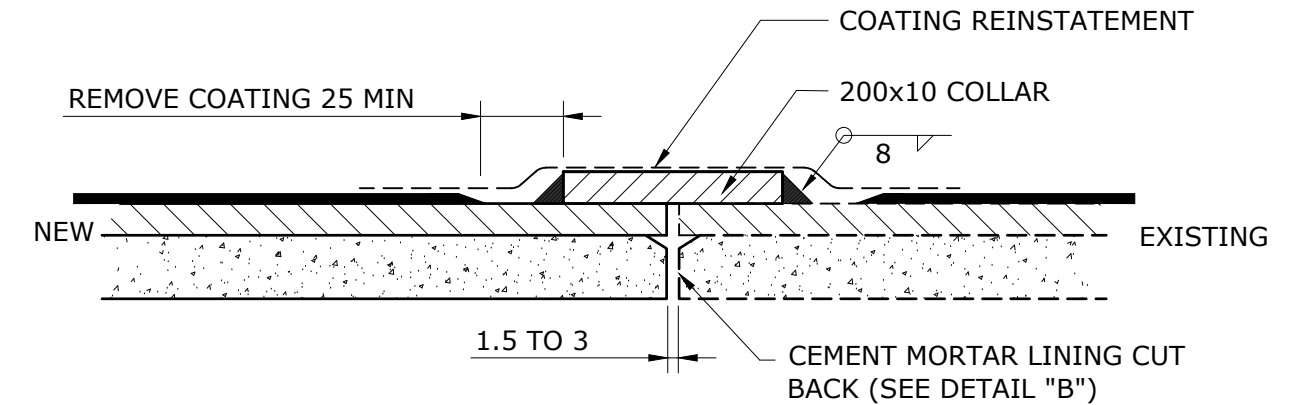


(FOR BARREL THICKNESS > 12)  
(SEE NOTE 4)

**DETAIL "C2"**



**DETAIL "B"**  
MORTAR PREPARATION CEMENT LINED PIPES < DN750



**CLOSING JOINT FOR EXISTING MAINS**

**NOTES**

1. ALL DIMENSIONS IN MILLIMETRES.
2. NO JOINT DEFLECTION ALLOWED WHERE BUTT WELDING IS CARRIED OUT.
3. CUT BACK COATINGS AT LEAST 100 FROM NEAREST ASSEMBLY WELD.
4. ALL WELDING TO BE FULL PENETRATION BUTT WELDS CARRIED OUT AND TESTED IN ACCORDANCE WITH AS/NZS 1554.1 CATEGORY SP.
5. IN DETAIL "C1", FOR THICKNESS < OR = 12, WELD OUTSIDE FIRST, THEN BACK GOUGE TO SOUND METAL BEFORE WELDING INSIDE.
6. REINSTATE EXTERNAL PROTECTION IN ACCORDANCE WITH THE CODE AND THEN MANUFACTURERS SPECIFICATIONS.
7. CONFINED SPACES TRAINING AND SAFETY MANAGEMENT PLAN ESSENTIAL BEFORE ENTERING PIPE.

**CAUTION**

AXIAL DEFLECTION OF PIPES TO BE JOINED IS NOT PERMITTED

REV. No.	DATE	DESCRIPTION	AUTH.
A		BASED ON SEQ-WAT-1400-1 VERSION A DATED 1/1/2013	

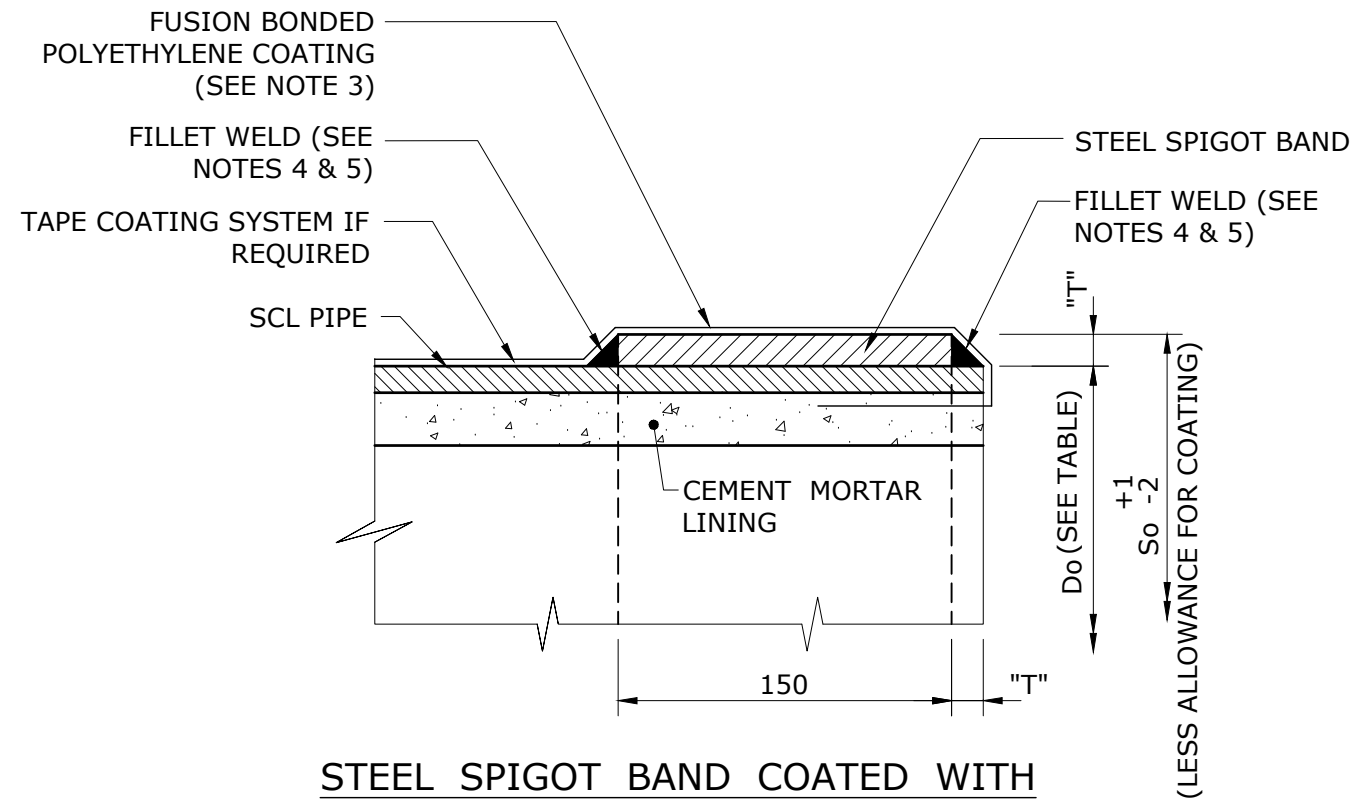
**WBBROC WATER SERVICE PROVIDERS**

WORK PRACTICES MUST COMPLY WITH ALL APPLICABLE OCCUPATIONAL HEALTH & SAFETY LEGISLATION

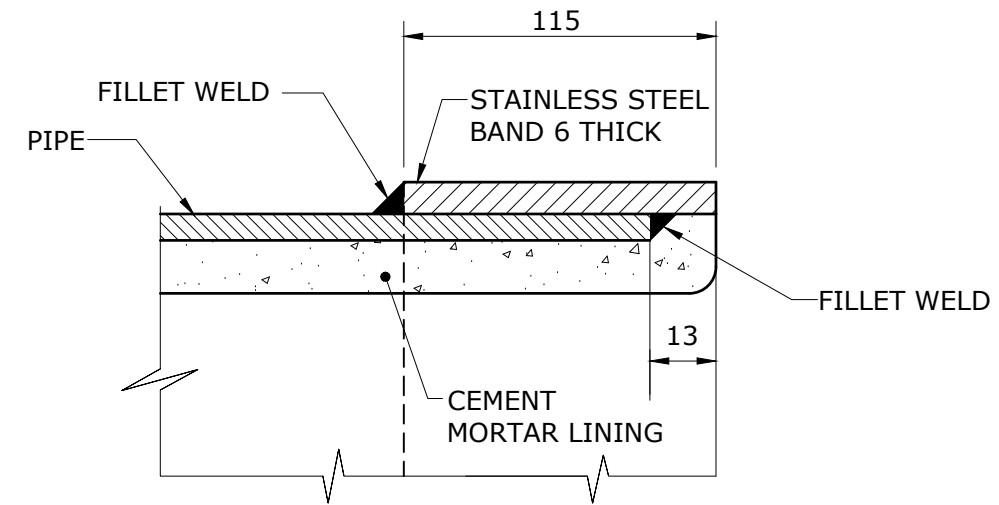
WATER SUPPLY STANDARD DRAWING  
TYPICAL STEEL PIPE JOINTING  
BUTT WELDING OF JOINTS

BRC	FCRC	GRC	NBRC	SBRC
DRAWING No.				VERSION
<b>WBB-WAT-1400-1</b>				<b>A</b>
NOT TO SCALE				ORG DATE:





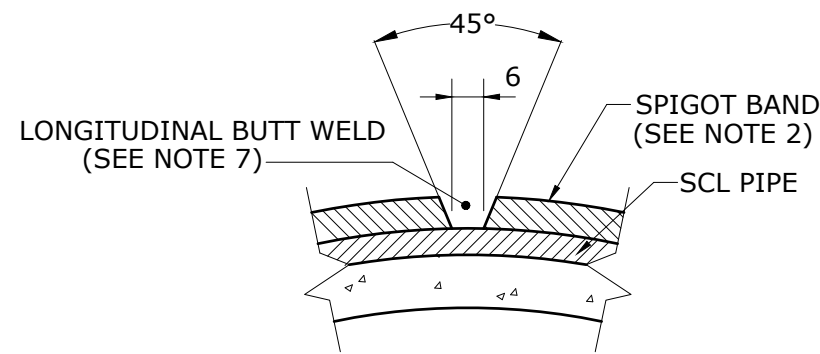
**STEEL SPIGOT BAND COATED WITH FUSION BONDED POLYETHYLENE**



**STAINLESS STEEL SPIGOT BAND FOR DISMANTLING JOINT**  
(SEE NOTES 2, 4 & 5.)

**SPIGOT BAND DIMENSIONS FOR CONNECTION TO DICL SOCKET**  
(SEE NOTES 3 & 6)

DICL PIPE SIZE DN	STEEL PIPE	SPIGOT BAND
	OUTSIDE DIAMETER Do	OUTSIDE DIAMETER So (SEE NOTE 5)
200	219	232
250	273	286
300	324 337	345
375	406 419	426
450	508	508
500	559	560
600	648 660	667
750	807 813	826



**TYPICAL WELD PREPARATION**

**NOTES**

1. ALL DIMENSIONS IN MILLIMETRES.
2. STEEL SPIGOT BANDS TO BE MANUFACTURED FROM MATERIALS AS FOLLOWS - STEEL IN ACCORDANCE WITH AS/NZS 3678 - STAINLESS STEEL TO BE TYPE 316L.
3. EXTERNAL PROTECTIVE COATING TO BE FACTORY APPLIED IN ACCORDANCE WITH AS 4321. ALLOWANCE TO BE MADE FOR 2 mm/SIDE THICKNESS OF COATING. FACTORY APPLIED METALISING MAYBE USED AS AN ALTERNATIVE COATING.
4. BANDS TO BE WELDED TO PIPE WITH CONTINUOUS FILLET WELDS. MINIMUM LEG LENGTH 5.
5. GRIND ALL WELDS FLUSH WITH EXTERNAL SURFACE. REMOVE ANY SHARP CORNERS TO PREVENT DAMAGE TO RUBBER RING.
6. TABLE APPLIES ONLY TO STEEL SPIGOT BANDS FOR JOINING TO DICL SOCKETS TO AS/NZS 2280 DIMENSIONS. FOR OTHER MATERIALS REFER TO MANUFACTURER FOR SPIGOT SIZES.
7. WELDING TO BE IN ACCORDANCE WITH AS/NZS 1554.1 CATEGORY SP AND AS/NZS 1554.6 FOR WELDING OF STAINLESS STEEL TO STEEL.
8. THE PREFERENCE IS FOR FLANGE TO FLANGE JOINTING BETWEEN STEEL AND DICL MAINS.

REV. No.	DATE	DESCRIPTION	AUTH.
A		BASED ON SEQ-WAT-1401-1 VERSION A DATED 1/1/2013	

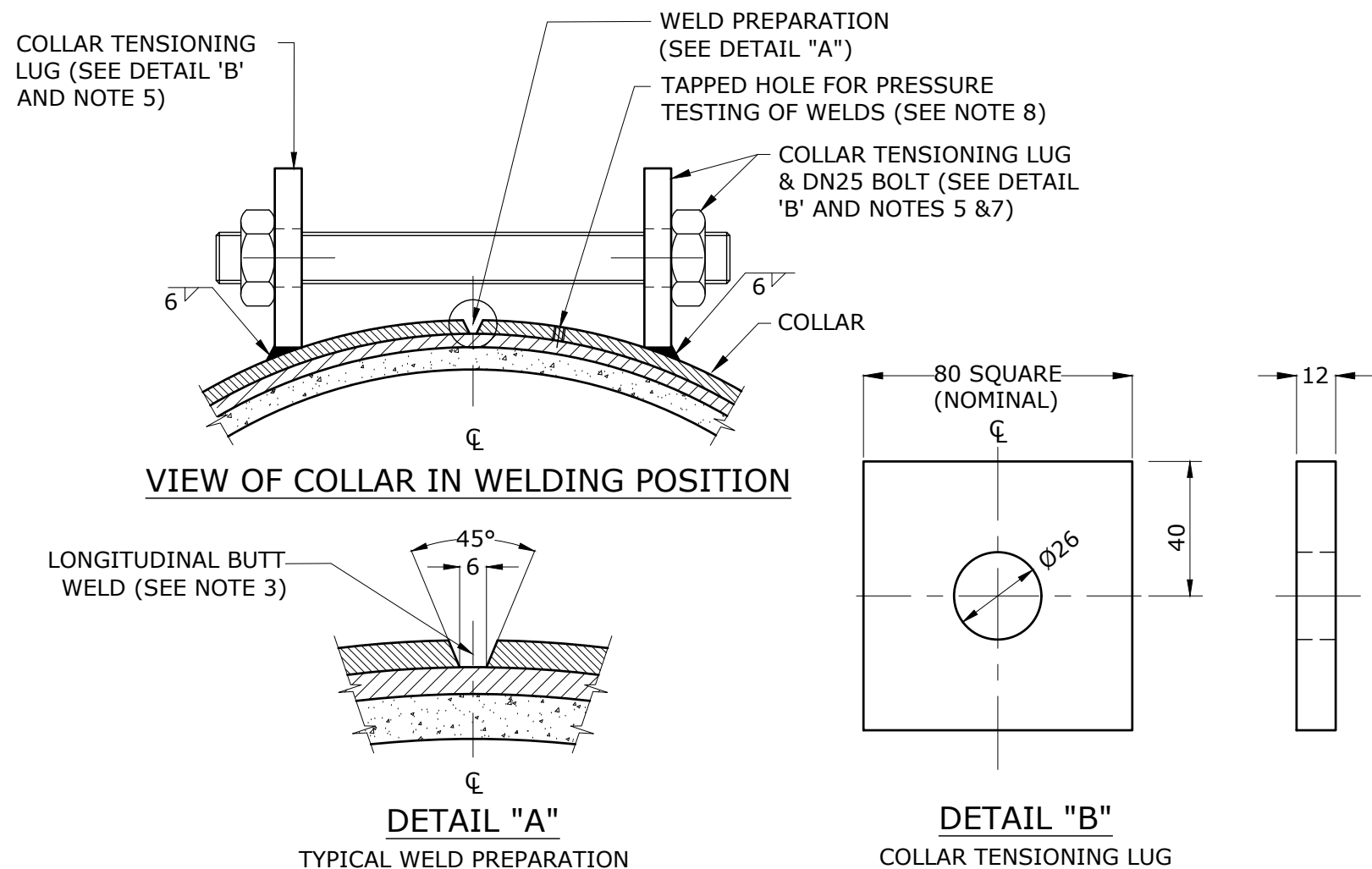
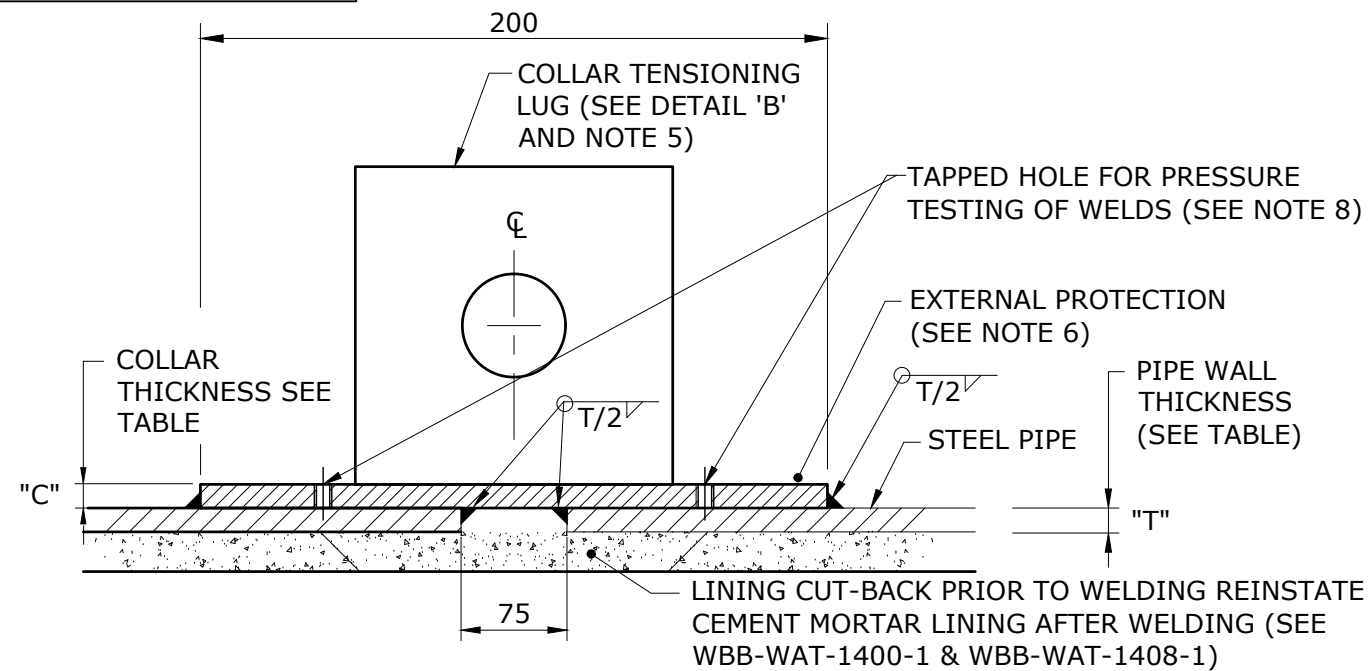
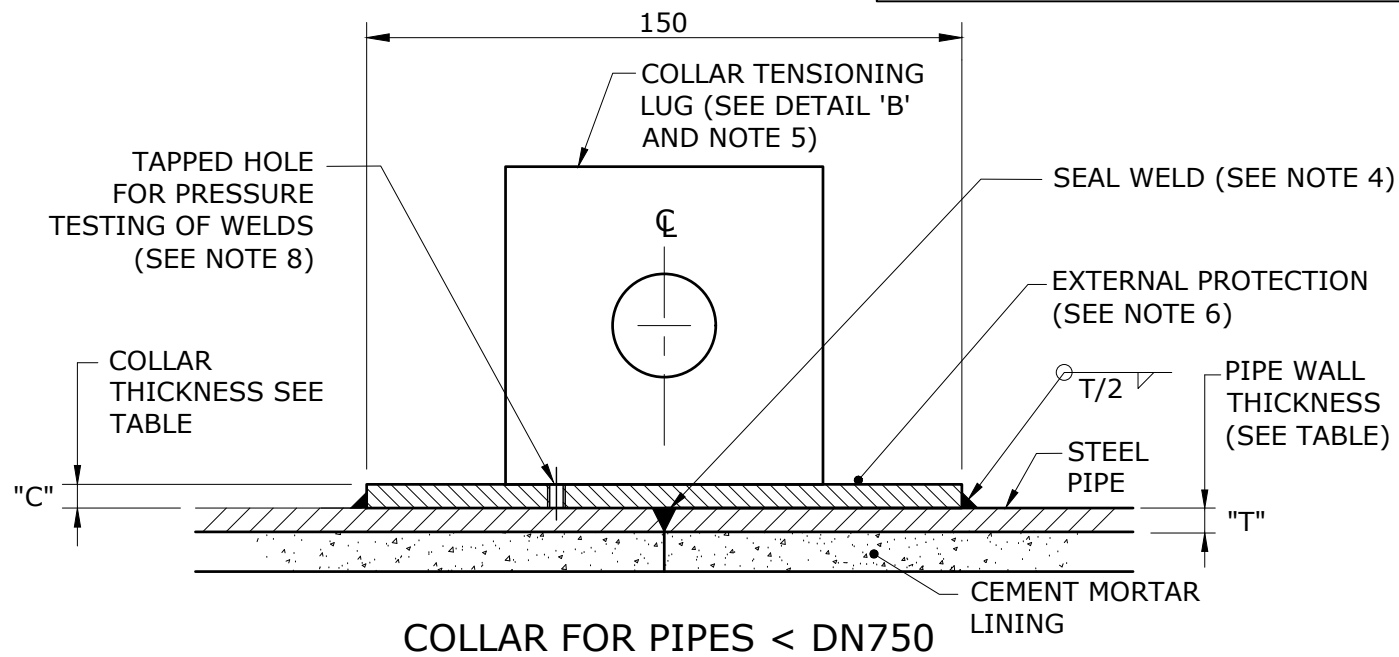
**WBBROC WATER SERVICE PROVIDERS**

WORK PRACTICES MUST COMPLY WITH ALL APPLICABLE OCCUPATIONAL HEALTH & SAFETY LEGISLATION

WATER SUPPLY STANDARD DRAWING  
TYPICAL STEEL PIPE JOINTING  
RUBBER RING JOINT SPIGOT  
BAND SPECIALS

BRC	FCRC	GRC	NBRC	SBRC
DRAWING No.				VERSION
<b>WBB-WAT-1401-1</b>				<b>A</b>
NOT TO SCALE				ORG DATE:

**CAUTION AXIAL DEFLECTION OF PIPES TO BE JOINED IS NOT PERMITTED.**



**COLLAR FOR PIPES >OR= DN750 TO 1200**

**NOTES**

1. ALL DIMENSIONS IN MILLIMETRES.
2. STEEL USED FOR COLLARS TO BE IN ACCORDANCE WITH AS/NZS 3678.
3. WELDING TO BE IN ACCORDANCE WITH AS/NZS 1554.1 CATEGORY SP.
4. SEAL WELD TO CONSIST OF A SINGLE CONTINUOUS WELD BEAD AROUND PIPE AND TO BE GROUND FLUSH WITH PIPE OD PRIOR TO FITTING COLLAR.
5. REMOVE BOLTS & WELDING LUGS AFTER COLLAR HAS BEEN WELDED. GRIND FINISHED SURFACES FLUSH.
6. WRAP EXTERNAL SURFACE USING A BITUMEN IMPREGNATED TAPE WRAP SYSTEM.
7. WRAP AROUND CHAIN TENSING MAY BE USED AS AN ALTERNATIVE TO COLLAR TENSING LUGS.
8. PROVIDE A TAPPED HOLE TO ALLOW THE GAP UNDER THE COLLAR TO BE PRESSURISED TO CONFIRM COMPLETE WELDING INTEGRITY. HOLE TO BE PLUGGED ON COMPLETION OF TEST.
9. WHERE SAFETY REASONS PREVENT ENTRY TO PIPE, ONE SIDED WELDING MAY BE AUTHORISED FOR PIPE >DN750 PROVIDED WELD SIZE IS INCREASED TO "T" AND DETAIL "B" FROM WBB-WAT-1400-1 IS USED.

COLLAR DETAILS		
PIPE SIZE DN	PIPE WALL THICKNESS <OR= "T"	COLLAR THICKNESS "C"
100 TO 225	5	6
250 TO 350	5 6	6 8
400 TO 750	5 8 10	6 10 12
800 & OVER	6	8
	8	10
	10	12
	12	16
	20 25	25 32

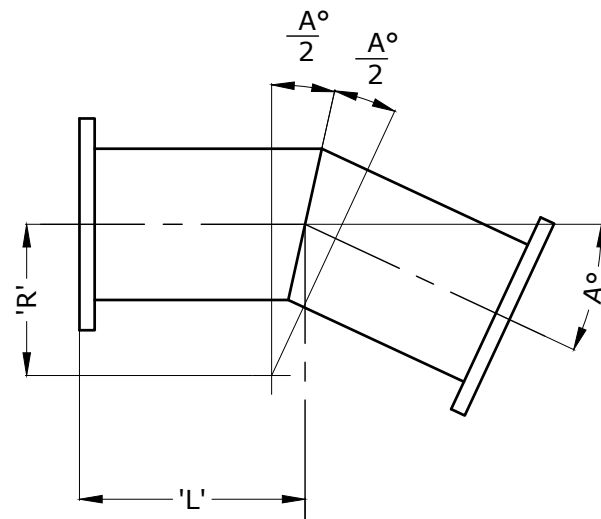
REV. No.	DATE	DESCRIPTION	AUTH.
A		BASED ON SEQ-WAT-1402-1 VERSION A DATED 1/1/2013	

**WBBROC WATER SERVICE PROVIDERS**

WORK PRACTICES MUST COMPLY WITH ALL APPLICABLE OCCUPATIONAL HEALTH & SAFETY LEGISLATION

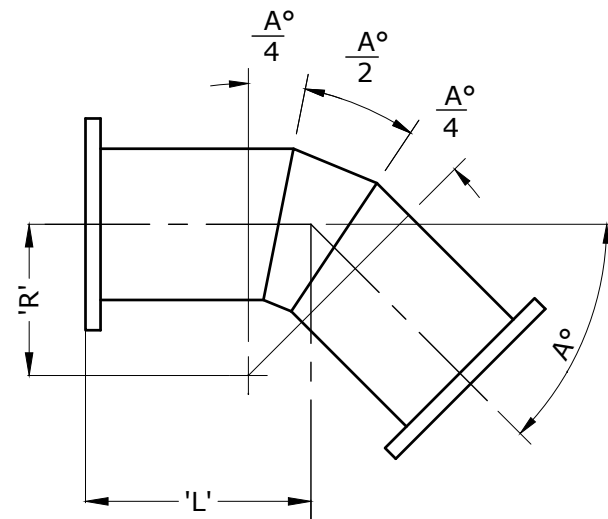
WATER SUPPLY STANDARD DRAWING  
TYPICAL STEEL PIPE JOINTING  
WELDED PIPE COLLARS

BRC	FCRC	GRC	NBRC	SBRC
DRAWING No.				VERSION
<b>WBB-WAT-1402-1</b>				<b>A</b>
NOT TO SCALE				ORG DATE:



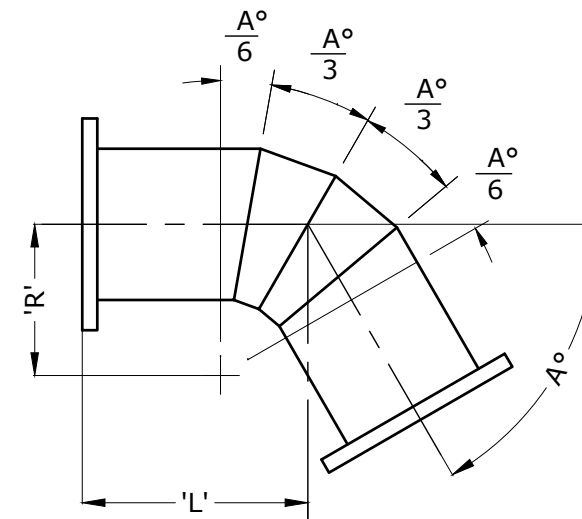
**1 - CUT BEND**

$A^\circ = 0^\circ \text{ TO } 22.5^\circ$



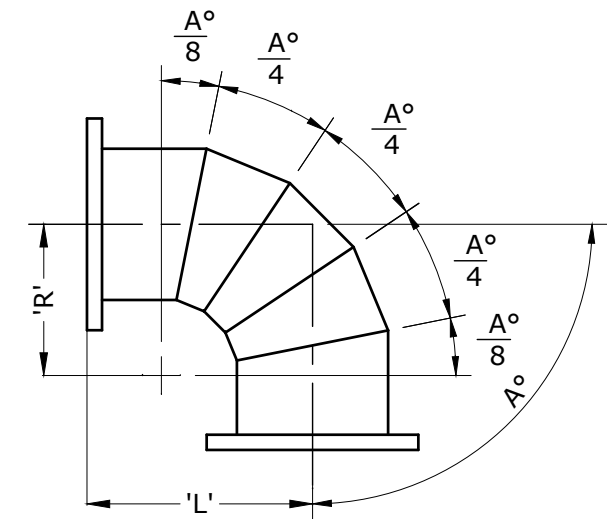
**2 - CUT BEND**

$A^\circ = >22.5^\circ \text{ TO } 45^\circ$



**3 - CUT BEND**

$A^\circ = >45^\circ \text{ TO } 67.5^\circ$



**4 - CUT BEND**

$A^\circ = >67.5^\circ \text{ TO } 90^\circ$

PIPE SIZE DN	BEND RADIUS 'R'	'L'	
		PLAIN	FLANGE
150	150	350	250
200	200	400	300
250	250	450	350
300	300	500	400
350	350	550	450
400	400	600	500
450	450	650	550
500	500	700	600
550	550	750	650
600	600	800	700
650	650	850	750
700	650	900	800
750	700	950	850
800	750	1000	900
850	800	1000	900
900	850	1050	950
950	850	1050	950
1000	850	1050	950
1050	900	1100	1000
1100	950	1150	1050
1200	1000	1200	1100
1300	1050	1250	1150
1400	1100	1300	1200
1500	1150	1350	1250
1600	1200	1400	1300
1700	1250	1450	1350
1800	1300	1500	1400
2000	1350	1600	1450
2200	1450	1650	1550
2400	1500	1750	1600

**DESIGN GUIDE**

1. ANGLE OF BEND TO BE ROUNDED OFF TO THE NEAREST 15 MINUTES AND BENDS MANUFACTURED TO  $\pm 1$  DEGREE.
2. BOTH DIMENSIONS FOR 'L' ARE PRACTICAL, BUT ARE CONSIDERED TO BE MINIMUM LENGTHS AND MAY BE INCREASED AS REQUIRED.

DIMENSIONS SHOWN ARE CONSIDERED TO BE THE MINIMUM ACCEPTABLE FOR NORMAL APPLICATIONS

**NOTES:**

1. ALL DIMENSIONS IN MILLIMETRES.
2. SEE AS 1579 FOR ALTERNATIVE BEND DETAILS AND FABRICATION REQUIREMENTS.
3. ALL WELDING TO BE IN ACCORDANCE WITH AS/NZS 1544.1 CATEGORY SP.
4. FLANGE DRILLING TO COMPLY WITH AS 4087.
5. PIPES  $\geq$  DN600 GENERALLY 'O' RING GROOVED.
6. GASKETS AND 'O' RING TO COMPLY WITH CODE.
7. PIPE TO BE IN ACCORDANCE WITH AS 1579 AND CEMENT LINING IN ACCORDANCE WITH AS 1281 TO SUIT DESIGN PRESSURES.
8. FITTINGS TO BE LINED AND COATED WITH MEDIUM DENSITY PE TO AS 4321.
9. FOR FLANGE BOLTING DETAILS SEE WBB-WAT-1313-1.
10. REINFORCING COLLARS MAY BE REQUIRED FOR HIGH PRESSURE APPLICATIONS.

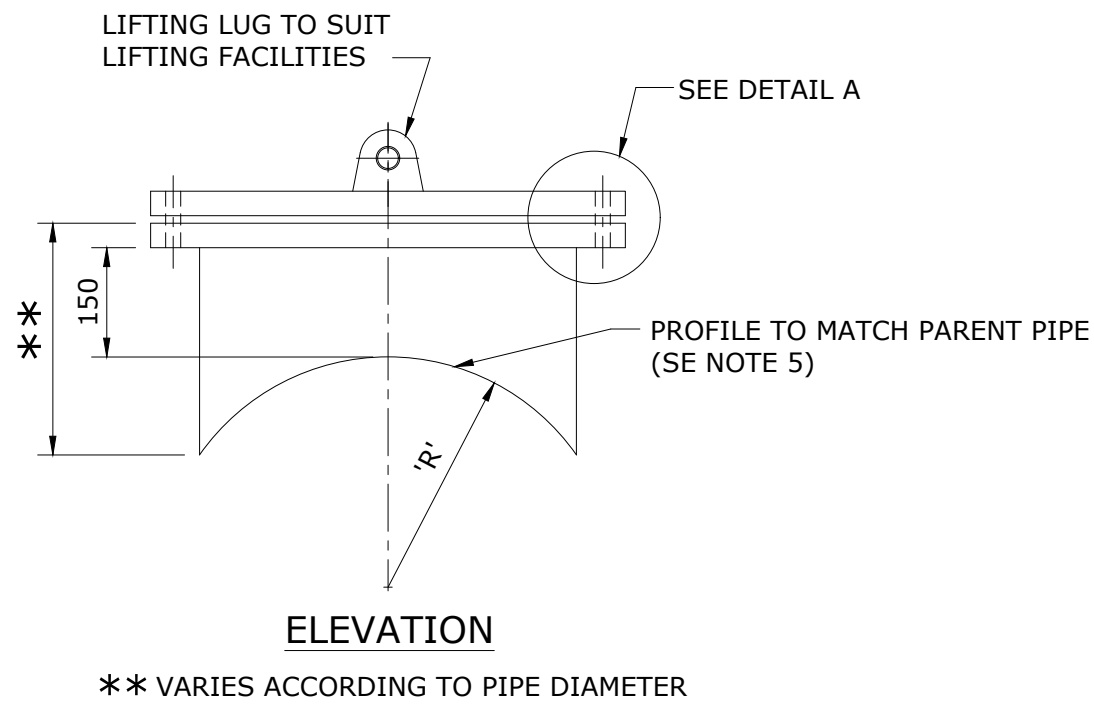
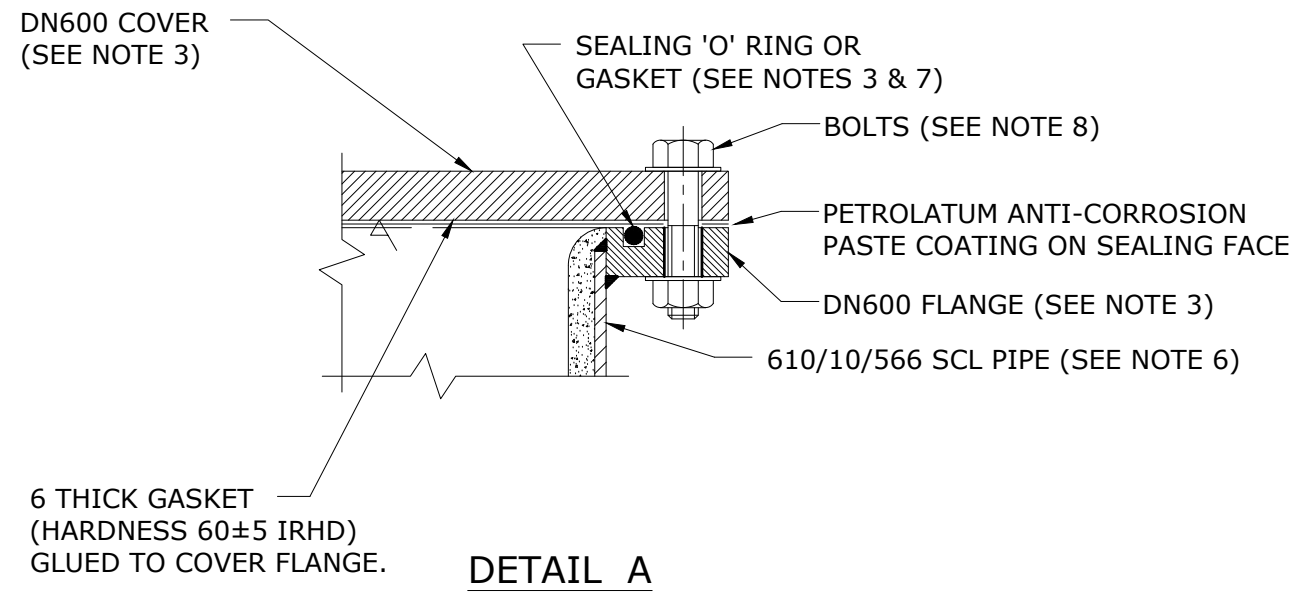
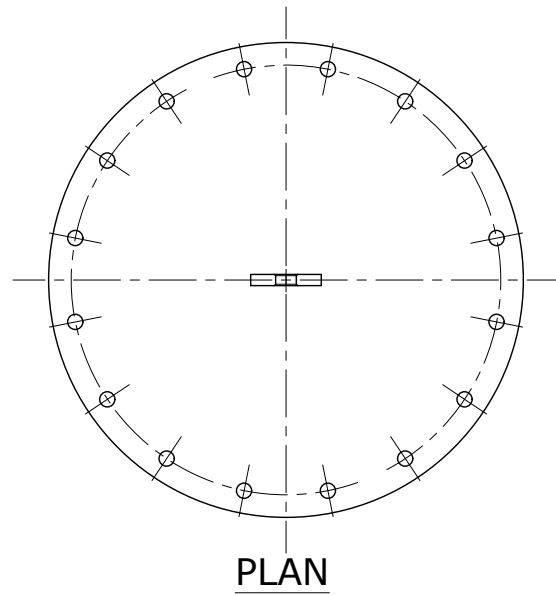
REV. No.	DATE	DESCRIPTION	AUTH.
A		BASED ON SEQ-WAT-1403-1 VERSION A DATED 1/1/2013	

**WBBROC WATER SERVICE PROVIDERS**

WORK PRACTICES MUST COMPLY WITH ALL APPLICABLE OCCUPATIONAL HEALTH & SAFETY LEGISLATION

WATER SUPPLY STANDARD DRAWING  
TYPICAL STEEL PIPE JOINTING  
BENDS

BRC	FCRC	GRC	NBRC	SBRC
DRAWING No.				VERSION
<b>WBB-WAT-1403-1</b>				<b>A</b>
NOT TO SCALE				ORG DATE:



**NOTES:**

1. ALL DIMENSIONS IN MILLIMETRES.
2. WELDING TO BE IN ACCORDANCE WITH AS/NZS 1544.1 CATEGORY SP.
3. FLANGES AND DRILLING TO IN ACCORDANCE WITH AS 4087 FIGURES B7, B8, B9.
4. CEMENT LINED STEEL PIPES TO AS 1579 & AS 1281 TO SUIT DESIGN PRESSURE.
5. REINFORCING COLLARS MAY BE REQUIRED. TO BE INSTALLED AS SHOWN IN DETAIL DRAWING.
6. CEMENT MORTAR LINING TO BE IN ACCORDANCE WITH AS 1281.
7. GASKETS AND 'O' RINGS TO COMPLY WITH WSA 109.
8. BOLTING DETAILS TO BE AS SHOWN ON WBB-WAT-1313-1.

REV. No.	DATE	DESCRIPTION	AUTH.
A		BASED ON SEQ-WAT-1404-1 VERSION A DATED 1/2/2013	

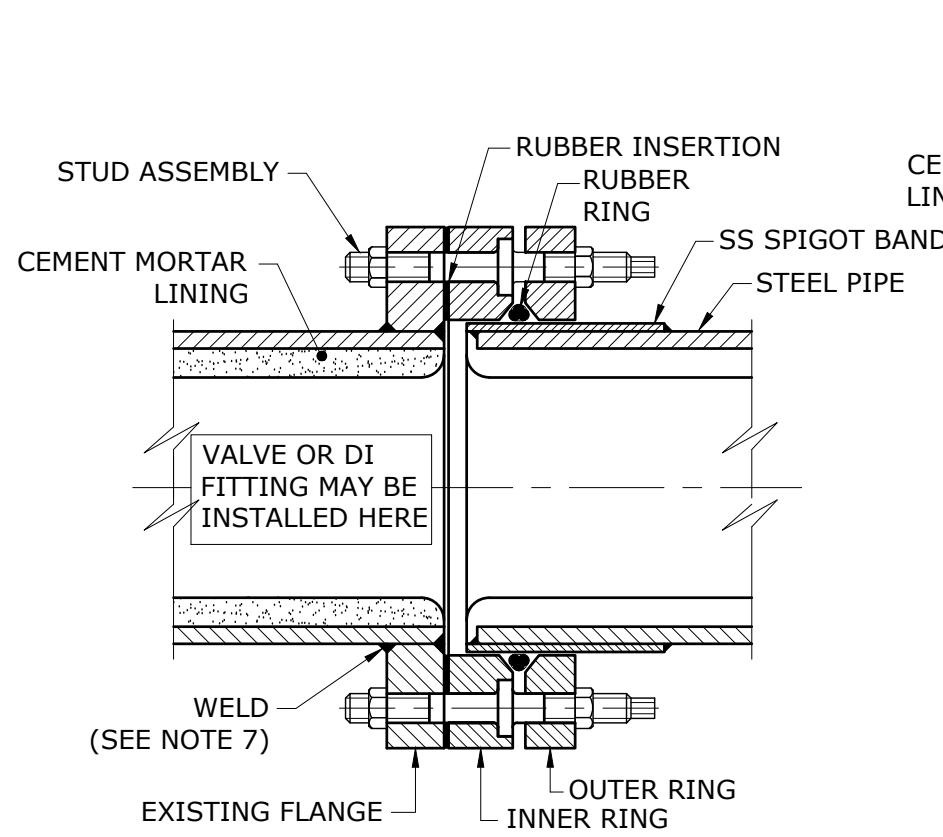
**WBBROC WATER SERVICE PROVIDERS**

WORK PRACTICES MUST COMPLY WITH ALL APPLICABLE OCCUPATIONAL HEALTH & SAFETY LEGISLATION

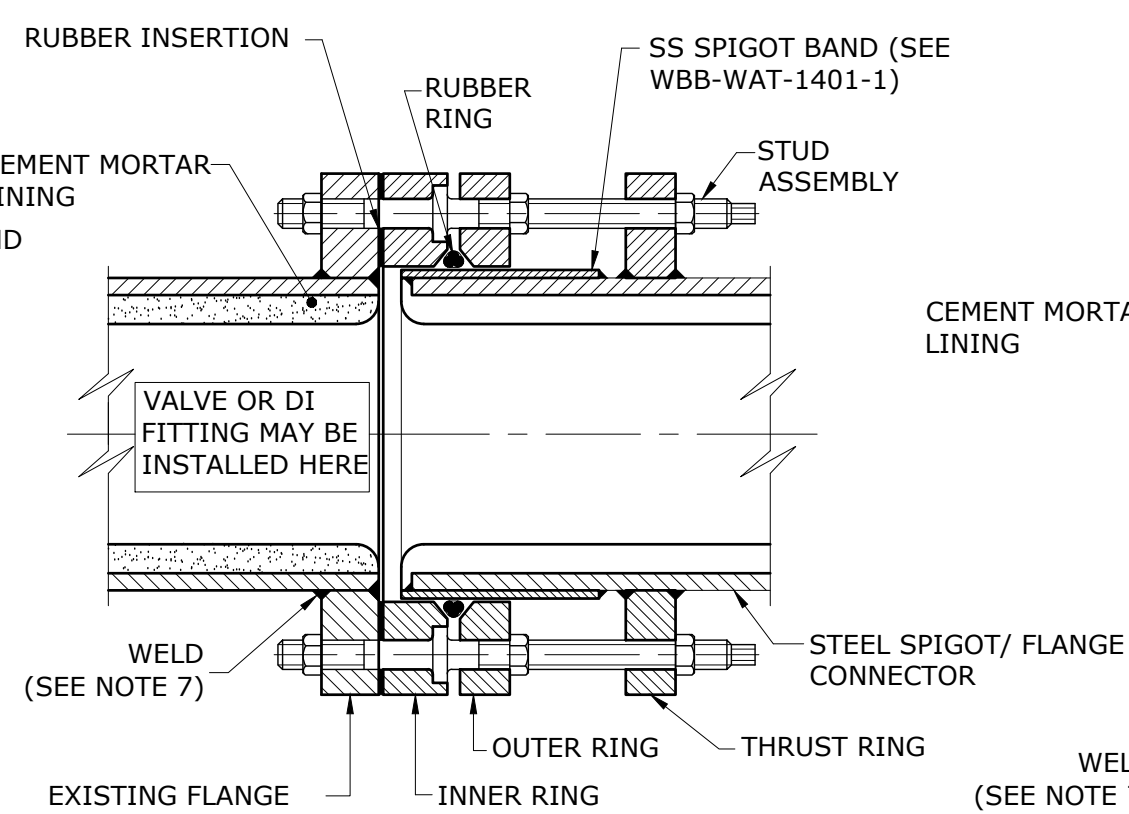
WATER SUPPLY STANDARD DRAWING  
TYPICAL STEEL FABRICATION  
ACCESS OPENING FOR PIPES ≥ DN750

BRC	FCRC	GRC	NBRC	SBRC
DRAWING No.				VERSION
<b>WBB-WAT-1404-1</b>				<b>A</b>
NOT TO SCALE				ORG DATE:

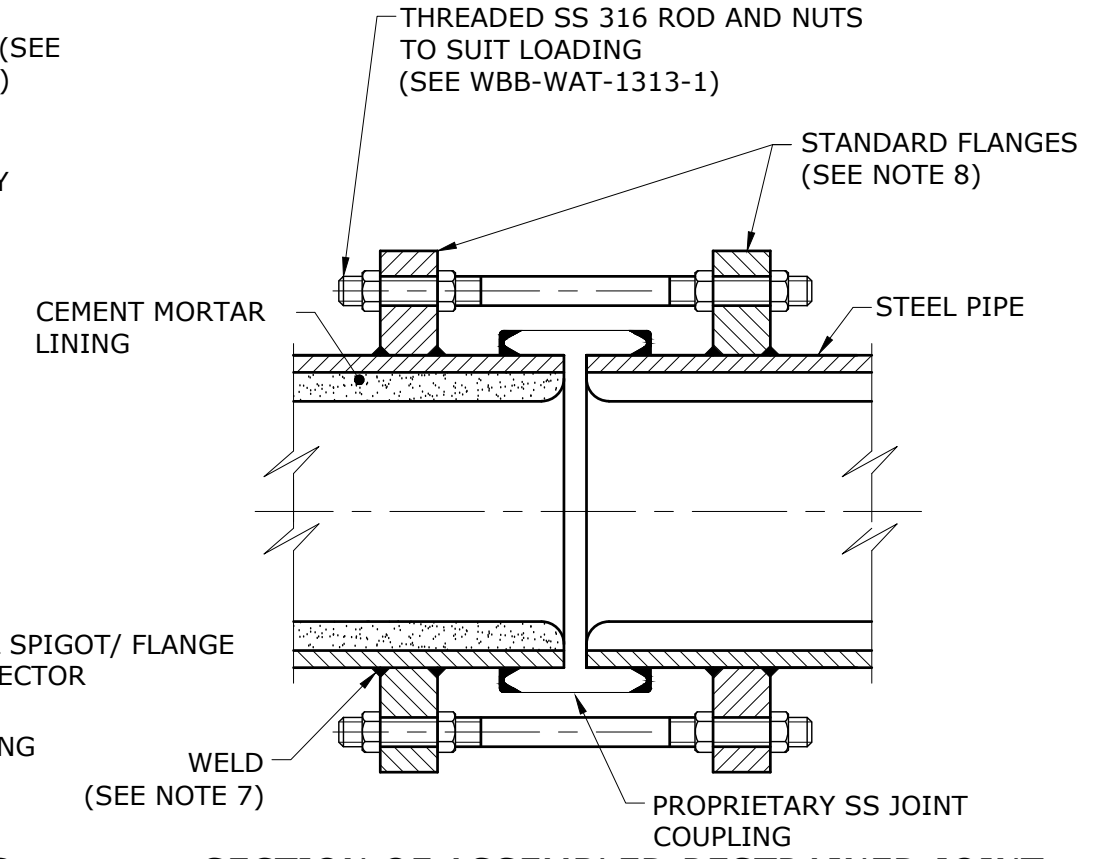
# SUITABLE CORROSION PROTECTION TO BE APPLIED



**SECTION OF ASSEMBLED DISMANTLING JOINT/NON-THRUST TYPE**  
(SEE NOTE 2)



**SECTION OF ASSEMBLED DISMANTLING JOINT/THRUST TYPE**  
(SEE NOTE 3)



**SECTION OF ASSEMBLED RESTRAINED JOINT IN-LINE RESTRAINED JOINT**  
(SEE NOTE 4)

## NOTES:

- ALL DIMENSIONS IN MILLIMETRES UNLESS OTHERWISE SHOWN.
- NON-THRUST DISMANTLING JOINT TO CONSIST OF:  
ONE INNER RING  
ONE OUTER RING  
ONE RUBBER INSERTION, SPECIAL  
ONE RUBBER RING  
THE REQUIRED NUMBER OF STUDS AND NUTS  
ONE SPIGOT/FLANGE CONNECTOR (OPTIONAL).
- THRUST TYPE DISMANTLING JOINT TO CONSIST OF:  
ONE INNER RING  
ONE OUTER RING  
ONE THRUST RING  
ONE RUBBER INSERTION, SPECIAL  
ONE RUBBER RING  
THE REQUIRED NUMBER OF LONG STUDS AND NUTS  
ONE SPIGOT/FLANGE CONNECTOR.
- IN-LINE LINE RESTRAINED JOINT CAN BE ADJUSTED IN-SITU TO ALLOW FOR MINOR ANGULAR DEFLECTION.
- ALL STEEL USED IN FABRICATION TO BE IN ACCORDANCE WITH AS/NZS 3678. ALL STAINLESS STEEL TO BE GRADE 316 MINIMUM.
- SUITABLE CORROSION PROTECTION TO BE APPLIED TO ALL EXPOSED STEEL SURFACES. SEE WBB-WAT-1402-1 OR AS SPECIFIED IN DESIGN DRAWINGS.
- WELDING OF FLANGES TO BE IN ACCORDANCE WITH AS/NZS 1544.1 CATEGORY SP.
- STANDARD FLANGES TO BE IN ACCORDANCE WITH AS 4087, FIGURES B7, B8 & B9 TO SUIT PRESSURE APPLICATION.

PIPE SIZE DN	SAFE HEAD (m)	FLANGE PCD	NUMBER OF STUDS	STUD DIAMETER	STUD LENGTH	
					NON THRUST	THRUST
375	122	495	12	M24	194	329
	215	521	16	M27	213	365
450	122	584	12	M24	206	349
	215	610	20	M30	235	407
500	122	641	16	M24	219	377
	215	673	24	M30	245	424
600	122	756	16	M27	232	394
	215	781	24	M33	263	454
750	122	927	20	M30	248	424
	215	940	28	M33	254	434
900	122	1092	24	M33	257	442
	215	1105	32	M36	276	470
1050	122	1250	28	M33	263	457
	215	1270	36	M36	289	497
1200	122	1410	32	M33	270	468
	215	1441	40	M39	323	557

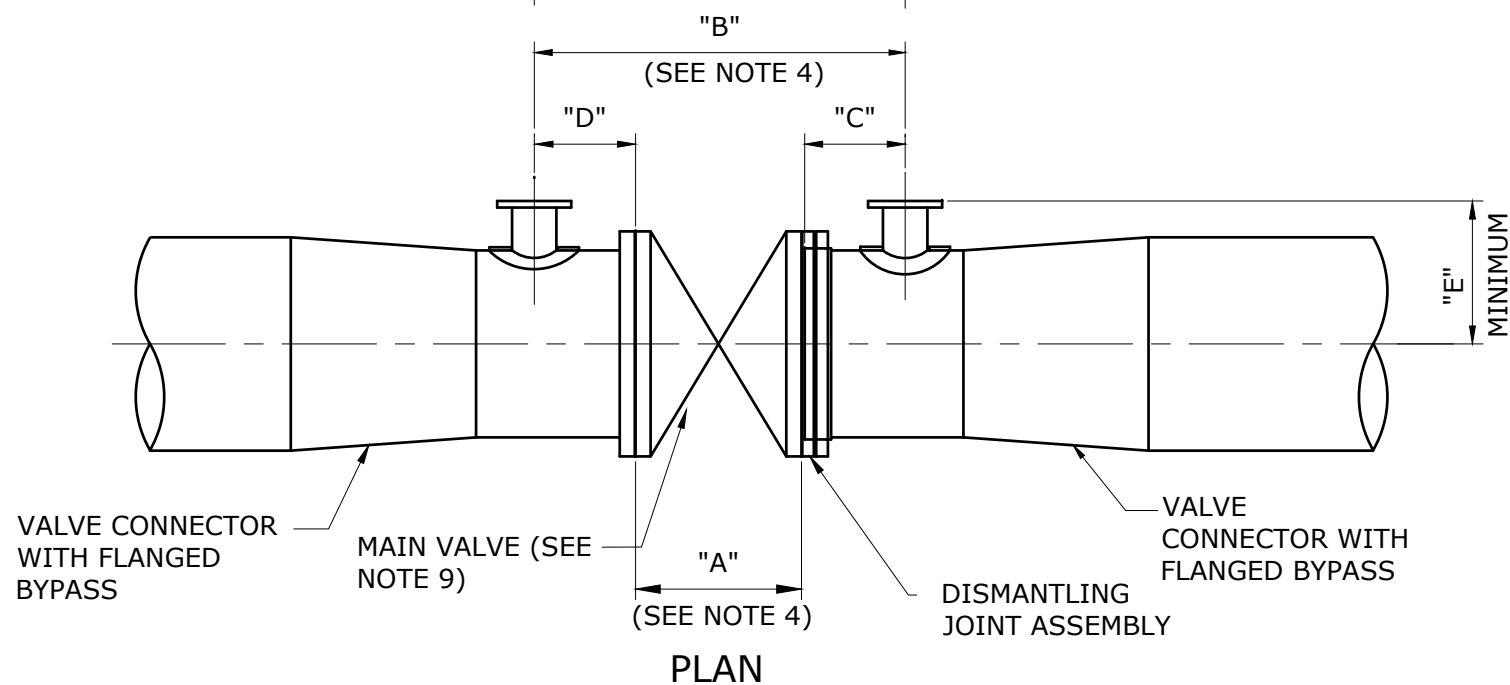
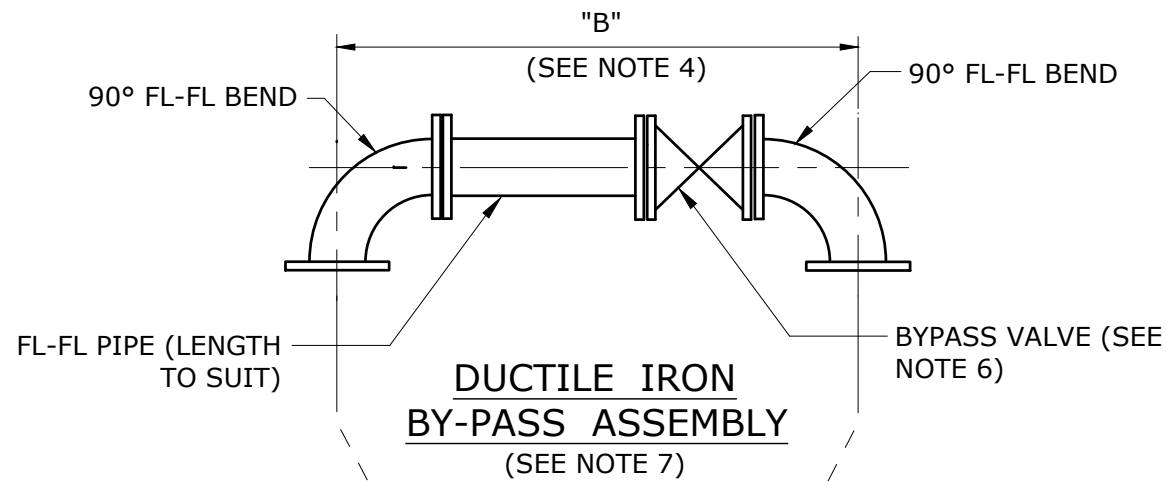
REV. No.	DATE	DESCRIPTION	AUTH.
A		BASED ON SEQ-WAT-1405-1 VERSION A DATED 1/1/2013	

**WBBROC WATER SERVICE PROVIDERS**

WORK PRACTICES MUST COMPLY WITH ALL APPLICABLE OCCUPATIONAL HEALTH & SAFETY LEGISLATION

WATER SUPPLY STANDARD DRAWING  
TYPICAL STEEL FABRICATION  
DISMANTLING AND FLEXIBLE JOINTS

BRC	FCRC	GRC	NBRC	SBRC
DRAWING No.				VERSION
<b>WBB-WAT-1405-1</b>				<b>A</b>
NOT TO SCALE				ORG DATE:



**TYPICAL VALVE CONNECTION ASSEMBLY**  
 PROVIDE VALVE ANCHORAGE USING REINFORCED CONCRETE THRUST BLOCKS OR ANCHORAGE IN CHAMBER WALL AS REQUIRED (SEE NOTE 8)

MAIN SIZE (DN)	600-700	750-800	900-1000	1050	1200
MAIN VALVE (DN) MINIMUM SIZE	500	600	750	900	1050
BYPASS VALVE (DN)	150	150	150	150	200
A	510	570	1210 *	725 *	815 *
B	1360	1420	2110 *	1620*	1710*
C	450	450	500	500	500
D	380	380	380	380	380
E (MIN)	460	540	600	680	750

\* SEE NOTE 4

**NOTES:**

- ALL DIMENSIONS IN MILLIMETRES.
- ALL BY-PASS FITTINGS TO BE IN ACCORDANCE WITH AS/NZS 2280.
- EACH MAIN VALVE CONNECTION ASSEMBLY TO CONSIST OF:
  - 1 x CONNECTOR PL-SP WITH FL BYPASS
  - 1 x CONNECTOR PL-FL WITH FL BYPASS
  - 1 x MAIN VALVE (GATE OR BUTTERFLY)
  - 1 x DISMANTLING JOINT ASSEMBLY
  - 2 x RUBBER INSERTIONS.
 EACH BYPASS ASSEMBLY TO CONSIST OF:
  - 2 x 90° BENDS FL-FL - STANDARD SIZE
  - 1 x FL-FL PIPE (LENGTH TO SUIT)
  - 5 x RUBBER INSERTIONS
  - 1 x GATE VALVE.
- DUE TO VARYING DIMENSIONS OF LARGE DIAMETER VALVES (DN750 TO DN1050) DIMENSIONS OF FACE TO FACE DISTANCES (A) AND LENGTH OF BY-PASS (B) ARE INDICATIVE ONLY.
- DIMENSIONS DO NOT INCLUDE GASKETS.
- BYPASS VALVE TO BE A GATE VALVE IN ACCORDANCE WITH AS 2638.2 AND TO BE THE SAME NOMINAL DIAMETER AS THE BYPASS PIPE.
- BYPASS PIPEWORK MAY ALSO BE FABRICATED USING SCL. ORIENTATION TO BE AS SHOWN IN DESIGN DRAWINGS.
- ADDITIONAL FLANGED FITTINGS, OR RESTRAINTS WELDED TO PIPEWORK, ARE REQUIRED TO BE USED IN PROVIDING VALVE ANCHORAGE.
- ARRANGEMENT SHOWN HAS A MAXIMUM PRESSURE RATING OF 1.6 MPa (160 m HEAD).
- MAIN VALVES WITH INBUILT BYPASS ARE COMMERCIALY AVAILABLE AND ARE PREFERRED. BYPASS VALVE ASSEMBLIES SHALL COMPLY WITH THE CODE.

REV. No.	DATE	DESCRIPTION	AUTH.
A		BASED ON SEQ-WAT-1406-1 VERSION A DATED 1/1/2013	

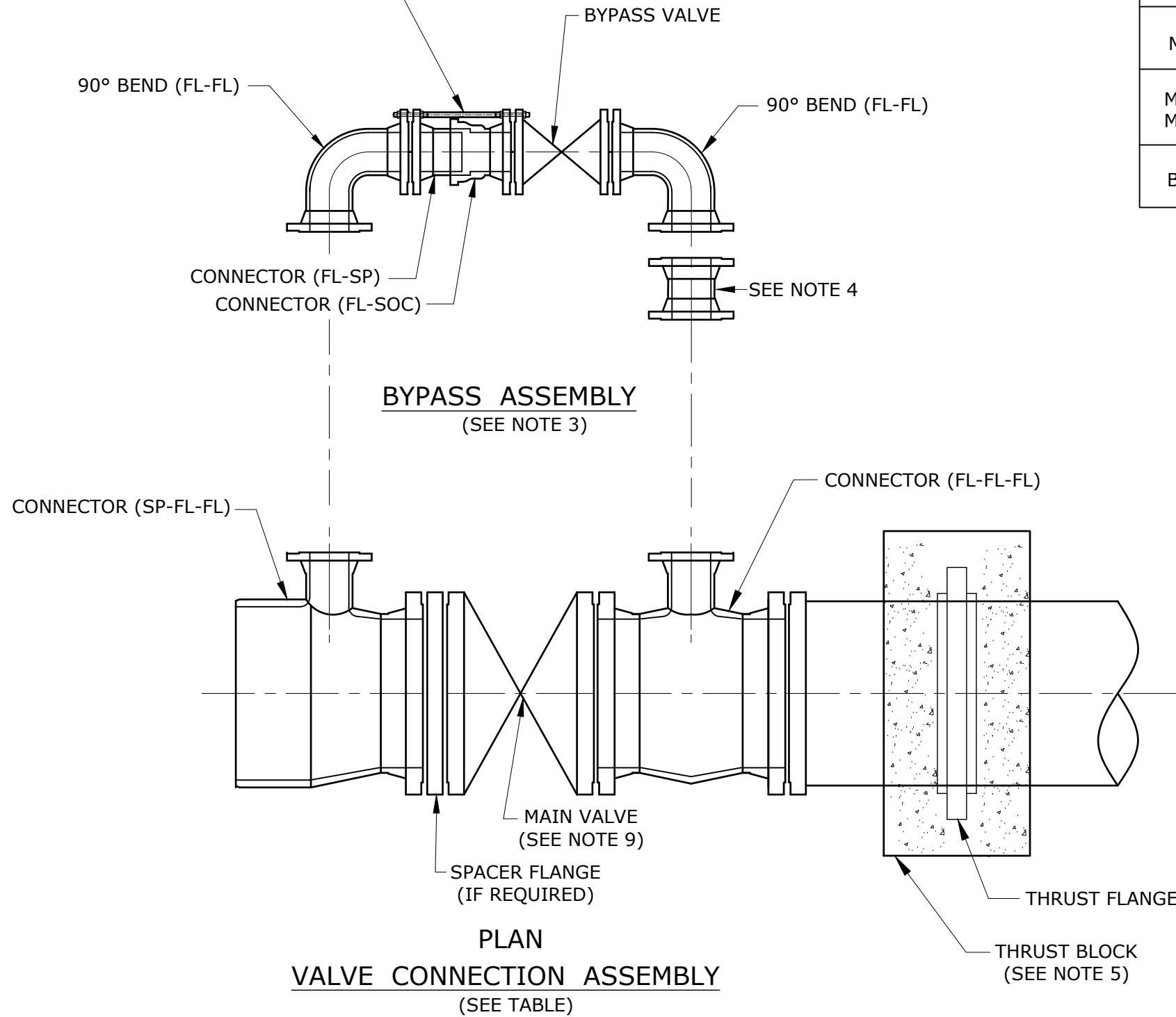
**WBBROC WATER SERVICE PROVIDERS**

WORK PRACTICES MUST COMPLY WITH ALL APPLICABLE OCCUPATIONAL HEALTH & SAFETY LEGISLATION

WATER SUPPLY STANDARD DRAWING  
 TYPICAL STEEL FABRICATION  
 VALVE CONNECTION AND BYPASS

BRC	FCRC	GRC	NBRC	SBRC
DRAWING No.				VERSION
<b>WBB-WAT-1406-1</b>				<b>A</b>
NOT TO SCALE				ORG DATE:

PROVIDE STABILISATION THRUST BOLTS 4 OFF ACROSS FLANGES



**VALVE SIZES**

MAIN SIZE (DN)	450	500	500	600	750	750
MAIN VALVE (DN) MINIMUM SIZE	375	375	450	500	500	600
BYPASS VALVE (DN)	100	100	100	150	150	150

**NOTES:**

- ALL DIMENSIONS IN MILLIMETRES.
- ALL BY-PASS FITTINGS TO BE IN ACCORDANCE WITH AS/NZS 2280.
- EACH VALVE CONNECTION ASSEMBLY TO CONSIST OF:
  - 1 x CONNECTOR (SP-FL-FL) - STOP VALVE WITH BYPASS
  - 1 x CONNECTOR (FL-FL-FL) - STOP VALVE WITH BYPASS
  - 1 x MAIN VALVE (GATE OR BUTTERFLY)
  - 1 x SPACER FLANGE
  - 3 x RUBBER INSERTIONS.
 EACH BYPASS ASSEMBLY TO CONSIST OF:
  - 2 x 90° BENDS FL-FL - STANDARD SIZE
  - 1 x CONNECTOR FL-SP - BYPASS (LENGTH TO SUIT)
  - 1 x CONNECTOR FL-SOC - BYPASS
  - 5 x RUBBER INSERTIONS
  - 1 x GATE VALVE.
 FOR SIZES OF THE ABOVE FITTINGS, SEE TABLE.
- EXTENSION FITTINGS (FL-FL) MAY BE REQUIRED TO SUIT VALVE/BYPASS/CHAMBER ARRANGEMENTS.
- ADDITIONAL FLANGED FITTINGS REQUIRED TO BE USED IN PROVIDING VALVE ANCHORAGE, REFER WBB-WAT-1206-1 FOR GUIDANCE ON THRUST MANAGEMENT.
- BYPASS VALVE TO BE A GATE VALVE IN ACCORDANCE WITH AS 2638.2 AND TO BE THE SAME NOMINAL DIAMETER AS THE BYPASS PIPE.
- WATER AGENCY TO DETERMINE BYPASS ORIENTATION.
- ARRANGEMENT AS SHOWN HAS MAXIMUM PRESSURE RATING OF 1.6 MPa (160 m HEAD).
- MAIN VALVES WITH INBUILT BYPASS ARE COMMERCIALY AVAILABLE AND ARE PREFERRED. BYPASS VALVE ASSEMBLIES SHALL COMPLY WITH THE CODE.

POSSIBLE ARRANGEMENT WHERE VALVE CHAMBER IS NOT REQUIRED

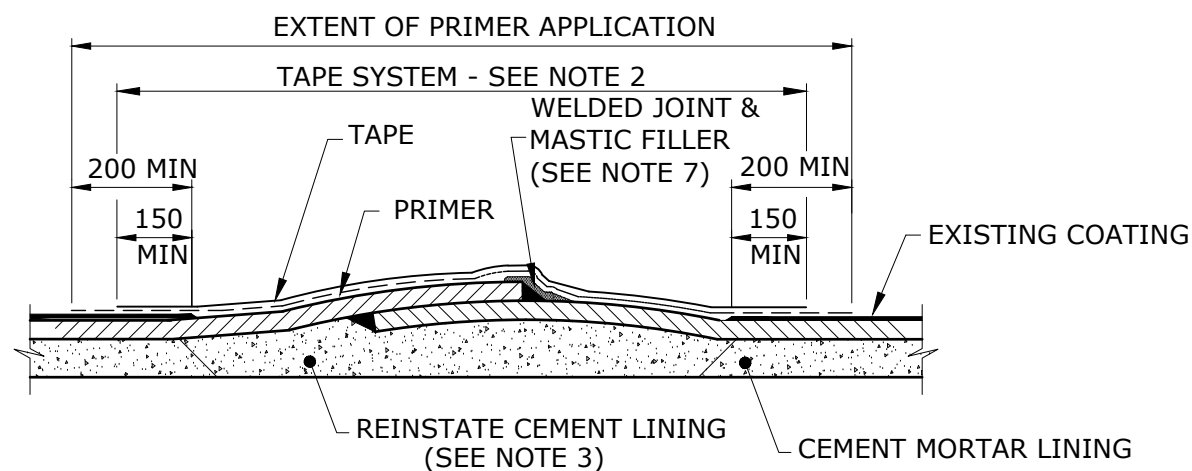
REV. No.	DATE	DESCRIPTION	AUTH.
A		BASED ON SEQ-WAT-1407-1 VERSION A DATED 1/1/2013	

**WBBROC WATER SERVICE PROVIDERS**

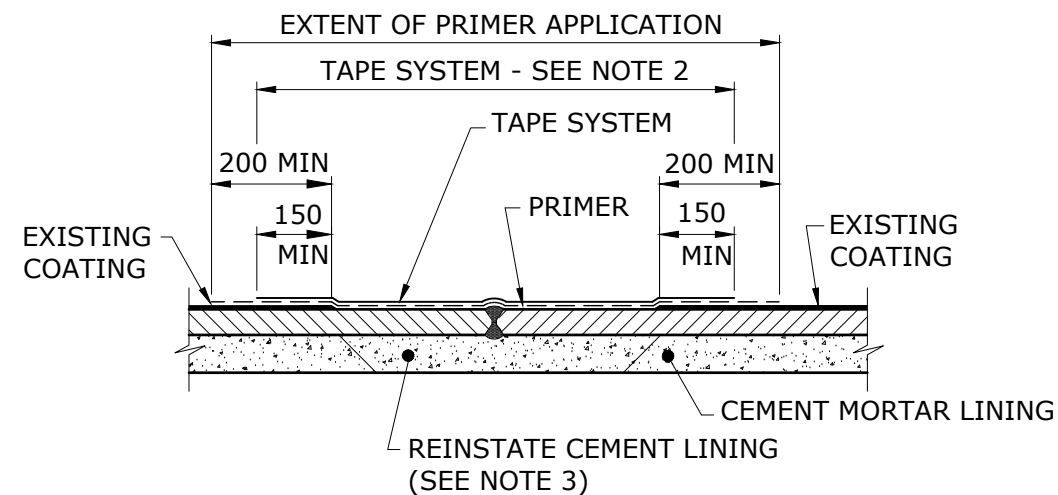
WORK PRACTICES MUST COMPLY WITH ALL APPLICABLE OCCUPATIONAL HEALTH & SAFETY LEGISLATION

WATER SUPPLY STANDARD DRAWING  
DI INSTALLATION  
VALVE BYPASS ARRANGEMENT  
TYPICAL DI PIPE FITTINGS

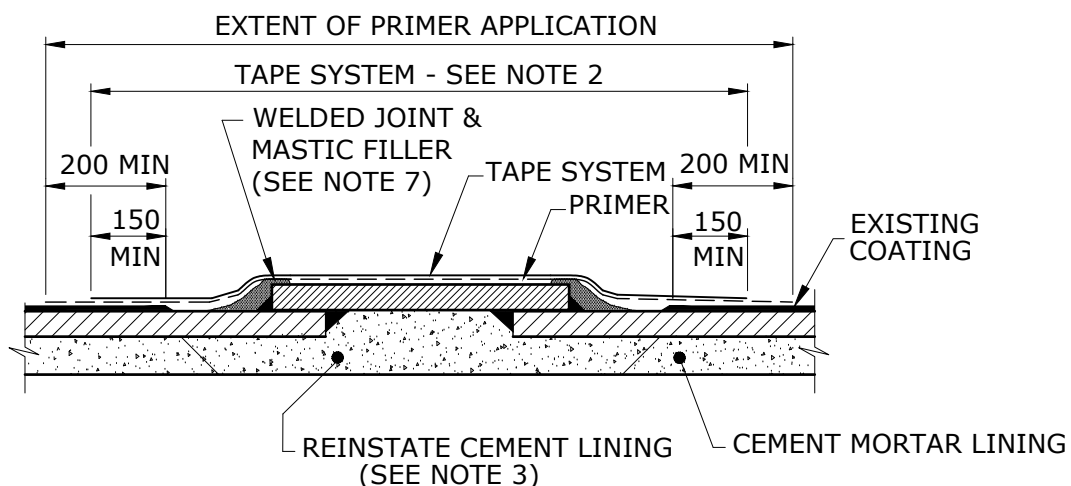
BRC	FCRC	GRC	NBRC	SBRC
DRAWING No.				VERSION
<b>WBB-WAT-1407-1</b>				<b>A</b>
NOT TO SCALE				ORG DATE:



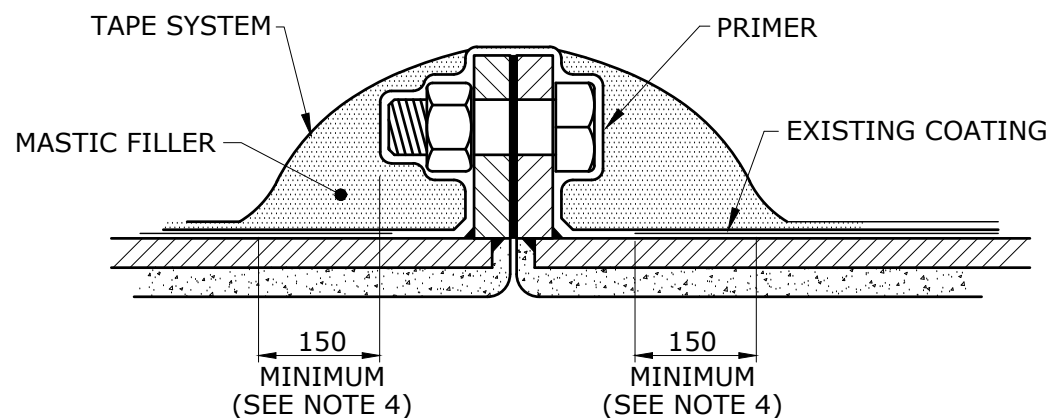
**BALL & SOCKET JOINT**  
(FOR PIPEWORK >DN750)



**PLAIN END BUTT WELDED JOINT**  
(FOR PIPEWORK >DN750)



**PLAIN END WELDED COLLAR JOINT**  
(FOR PIPEWORK >DN750)



**FLANGED JOINT**

**NOTES:**

1. ALL DIMENSIONS IN MILLIMETRES.
2. EXTERNAL CORROSION PROTECTION AT JOINTS - TAPE SYSTEMS
  - (i) SURFACE PREPARATION:
    - REMOVE ALL WELD SPLATTER
    - GRIND SMOOTH ANY RAISED AREAS
    - SMOOTH ANY ROUGH CUT EDGES OF EXISTING COATING
    - WIRE BRUSH ALL SURFACES TO BE WRAPPED REMOVING LOOSE DIRT AND RUST
    - ENSURE NO FREE MOISTURE IS PRESENT.
  - (ii) PRIMER:
    - APPLY A THIN EVEN COAT OF PRIMER IN ACCORDANCE WITH THE MANUFACTURERS INSTRUCTION.
    - NOTE: ONLY USE THE PRIMER SUPPLIED BY THE TAPE MANUFACTURER.
  - (iii) MASTIC FILLER:
    - WHERE NECESSARY CONTOUR ANY IRREGULAR PROFILES WITH FILLER TO ENSURE TAPE WILL NOT BRIDGE IN SERVICE.
    - NOTE: ONLY USE FILLER MATERIAL SUPPLIED BY THE TAPE MANUFACTURER.
  - (iv) TAPE APPLICATION:
    - SPIRALLY APPLY TAPE ENSURING A 55% OVERLAP BETWEEN SUCCESSIVE LAYERS IS ACHIEVED
    - ENSURE TAPE IS FREE OF WRINKLES AND VOIDS.
3. REINSTATE/COMPLETE CEMENT LINING USING AN APPROVED PRIMER AND A MORTAR MIX CONSISTING OF 2:1 (CLEAN SHARP SAND/CEMENT)
4. PRIMER AND MASTIC TO OVERLAP EXISTING COATING BY 150 MIN.

REV. No.	DATE	DESCRIPTION	AUTH.
A		BASED ON SEQ-WAT-1408-1 VERSION A DATED 1/1/2013	

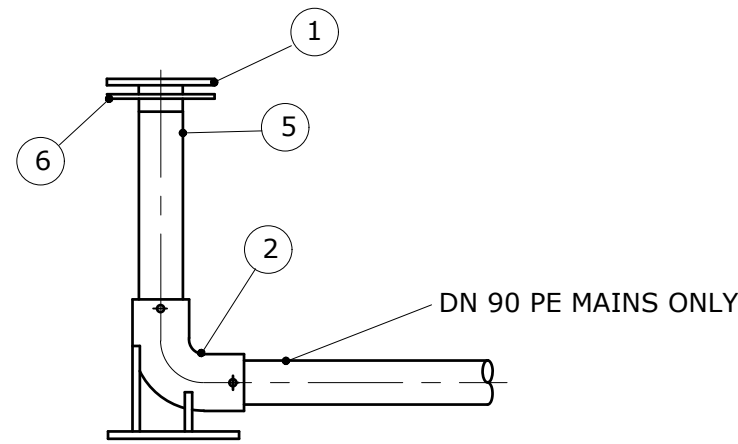
**WBBROC WATER SERVICE PROVIDERS**

WORK PRACTICES MUST COMPLY WITH ALL APPLICABLE OCCUPATIONAL HEALTH & SAFETY LEGISLATION

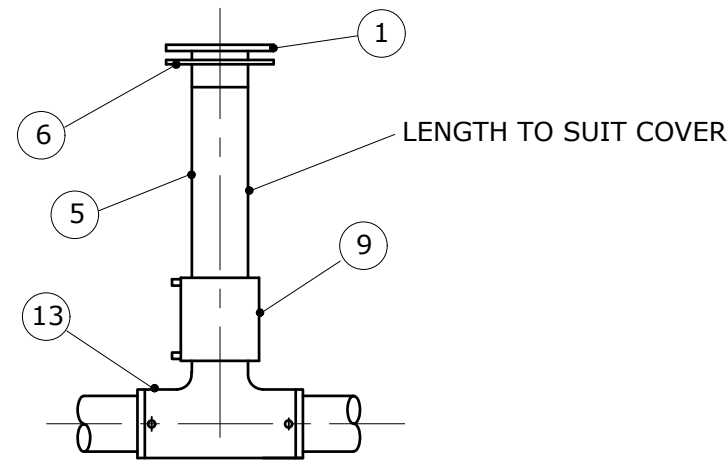
WATER SUPPLY STANDARD DRAWING  
TYPICAL JOINT CORROSION PROTECTION  
CEMENT MORTAR LINED STEEL PIPE  
> DN750 TO DN1200

BRC	FCRC	GRC	NBRC	SBRC
DRAWING No.				VERSION
<b>WBB-WAT-1408-1</b>				<b>A</b>
NOT TO SCALE				ORG DATE:

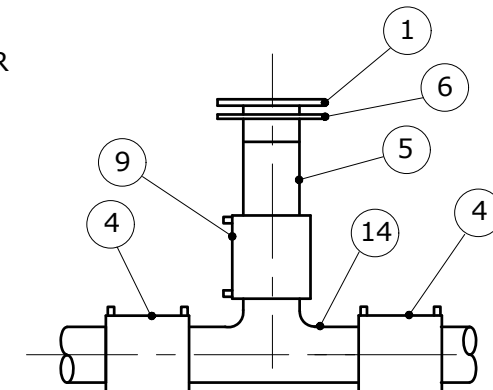




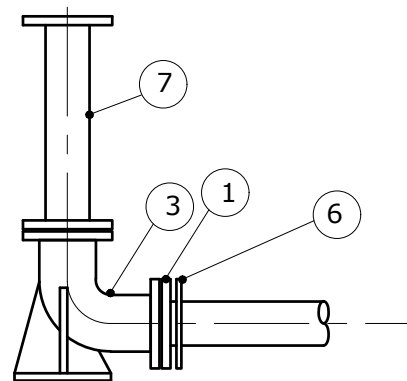
ELECTROFUSED OR BUTT WELDED



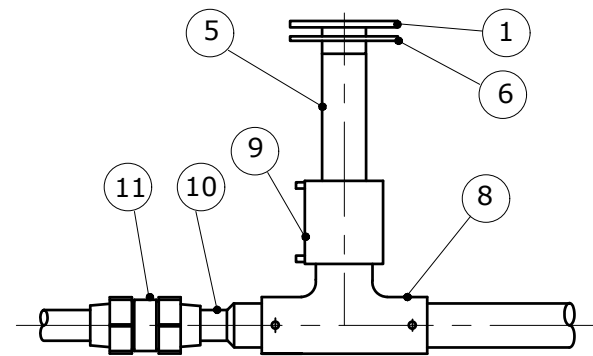
ELECTROFUSION SOCKETED TEE  
(SUITS 600 + COVER)



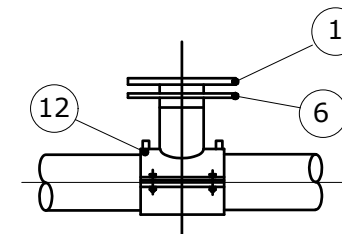
ELECTROFUSED SPIGOT TEE



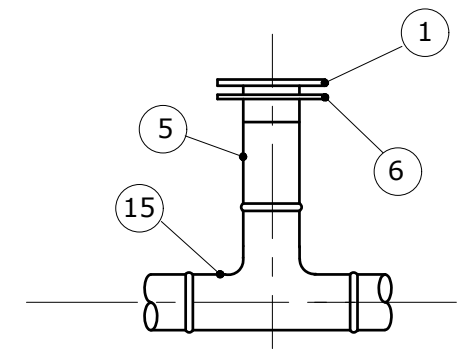
?(ELECTROFUSED WITH SUB MAIN BRANCH)?



ELECTROFUSED WITH STRAIGHT THROUGH SUBMAIN CONNECTION



ELECTROFUSION SADDLE TEE  
(SUITS 500 COVER)



BUTT WELDED SPIGOT TEE

**LEGEND**

- |  |                                 |
|--|---------------------------------|
| ① FULL FACE FLANGE ADAPTOR<br>DRILL TO DN100 | ⑧ 90 EF TEE                     |
| ② 90 EF DUCK FOOT BEND                       | ⑨ 90 OR 125 EF COUPLER          |
| ③ DN100 DI DUCK FOOT BEND                    | ⑩ REDUCER, ELONGATED SPIGOT     |
| ④ EF COUPLER                                 | ⑪ 63 COMPRESSION OR EF COUPLING |
| ⑤ EXTENDED FULL FACE FLANGE ADAPTOR          | ⑫ EF SADDLE TEE                 |
| ⑥ BACKING RING DRILL TO DN100                | ⑬ EF TEE                        |
| ⑦ DN100 DI HYDRANT RISER                     | ⑭ TEE, ELONGATED SPIGOT         |
|  | ⑮ TEE, BUTT WELDED              |

**NOTES**

1. ALL DIMENSIONS IN MILLIMETRES.
2. REFER TO WBBROC-SP PRODUCTS AND MATERIALS LIST OR PE CODE SECTION 2 FOR DETAILS OF SIZE, COMPOUND, PRESSURE CLASS AND COLOUR.
3. FOR SURFACE FITTING INSTALLATIONS REFER TO WBBROC STANDARD DRAWINGS.
4. FOR JOINTING DETAILS REFER TO PE CODE WSA-01 SECTION 2.11.3.
5. ALL BACKING PLATES, NUTS, BOLTS AND WASHERS TO BE MINIMUM GRADE 316 STAINLESS STEEL.
6. GASKETS COMPLYING WITH AS 4087 TO BE USED FOR ALL FLANGED CONNECTIONS.
7. DETAILS SHOW 125 OD MAIN AT PE100 = ID OF 101mm.
8. HYDRANT RISER SHALL BE DN125 PE. DN90 RISER MAY BE USED WITH PLASSON SLOTTED ADAPTOR OR APPROVED EQUAL.

REV. No.	DATE	DESCRIPTION	AUTH.
A		BASED ON SEQ-WAT-1409-1 VERSION A DATED 1/1/2013	

**WBBROC WATER SERVICE PROVIDERS**

WORK PRACTICES MUST COMPLY WITH ALL APPLICABLE OCCUPATIONAL HEALTH & SAFETY LEGISLATION

WATER SUPPLY STANDARD DRAWING  
HYDRANT INSTALLATION FITTINGS  
TYPICAL PE ASSEMBLIES NOMENCLATURE

BRC	FCRC	GRC	NBRC	SBRC
DRAWING No.				VERSION
<b>WBB-WAT-1409-1</b>				<b>A</b>
NOT TO SCALE				ORG DATE: